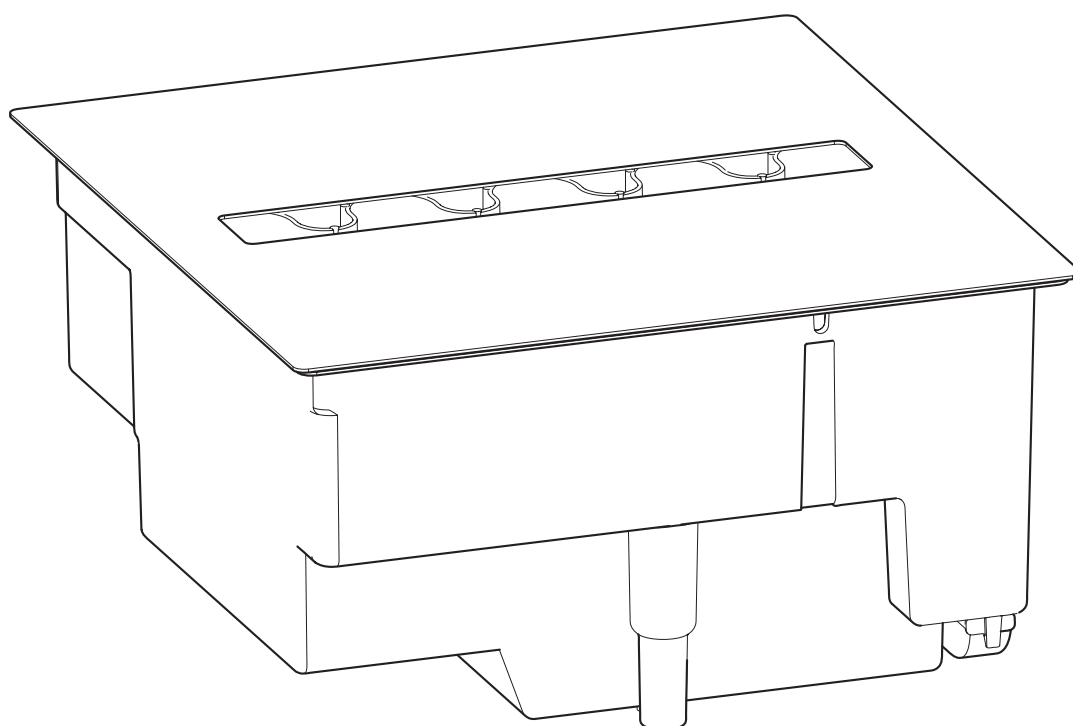


Dimplex[®]



CAS250



08/53854/0 Issue 4
OCN 11349

Fig. 1

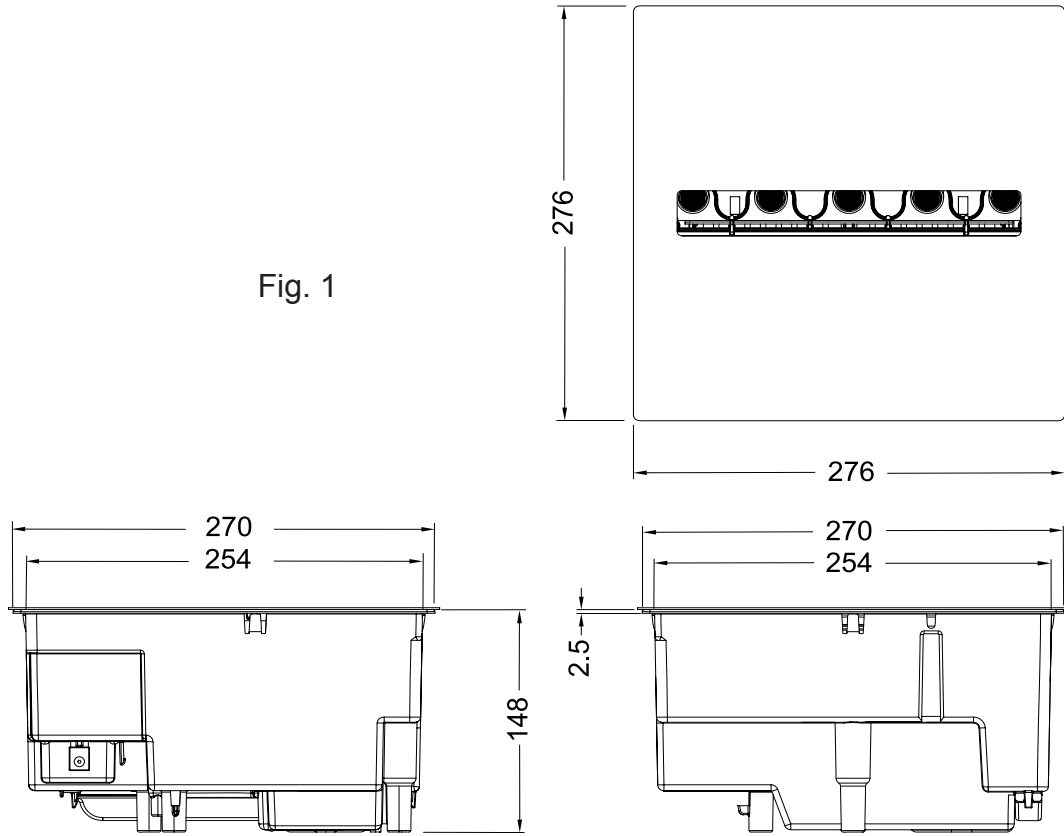


Fig. 1A

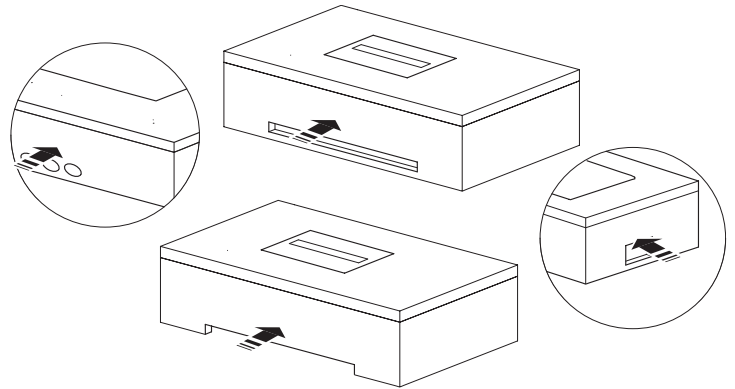


Fig. 2

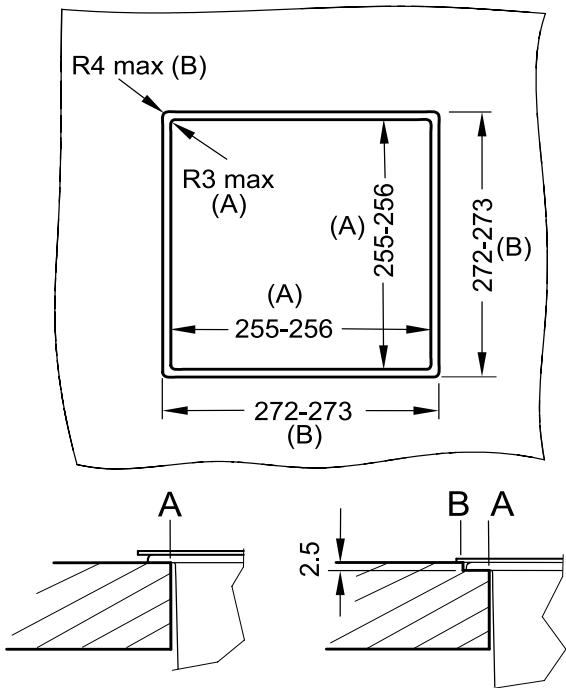


Fig. 3

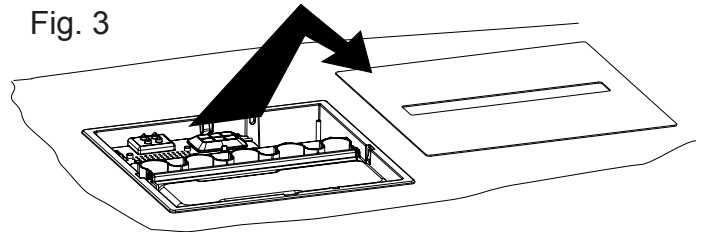


Fig. 4

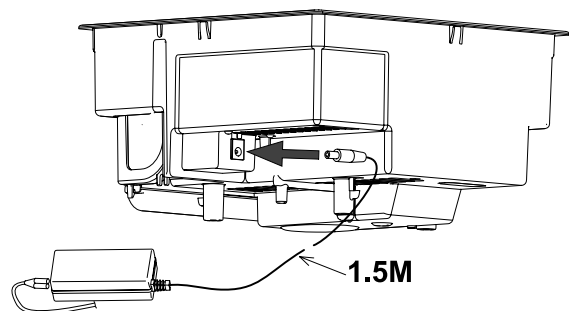


Fig. 5

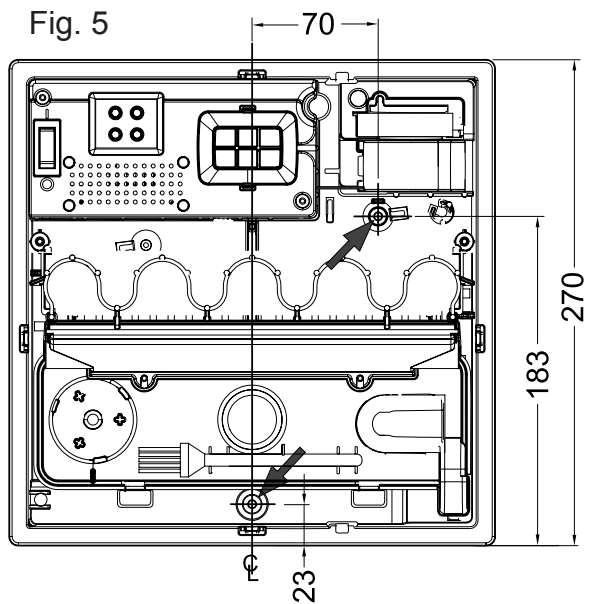


Fig. 8

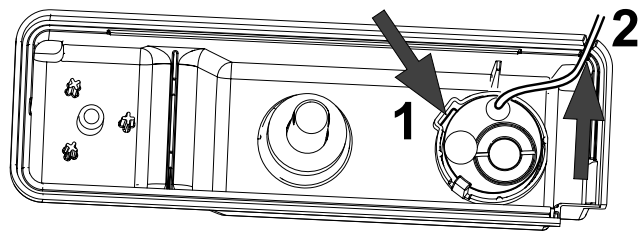


Fig. 9

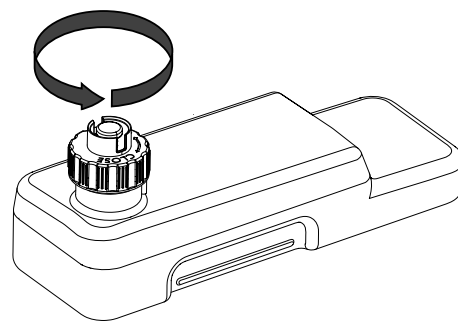


Fig. 5a

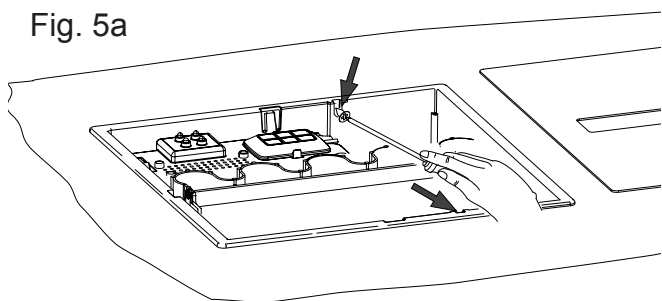


Fig. 6

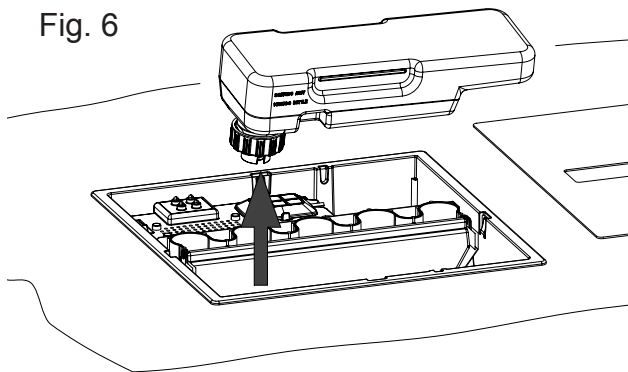


Fig. 10

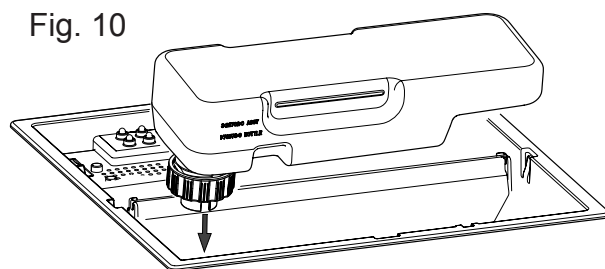


Fig. 7

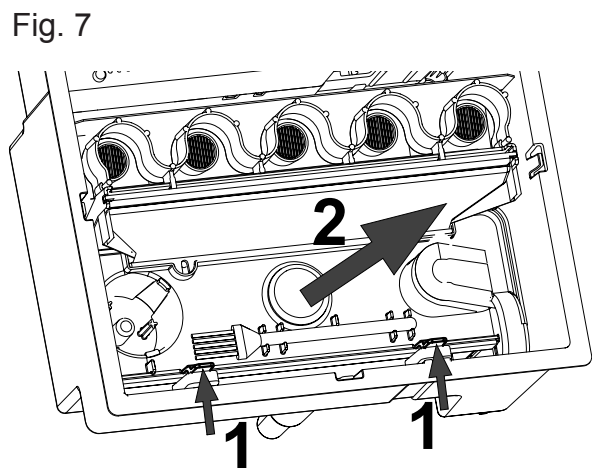
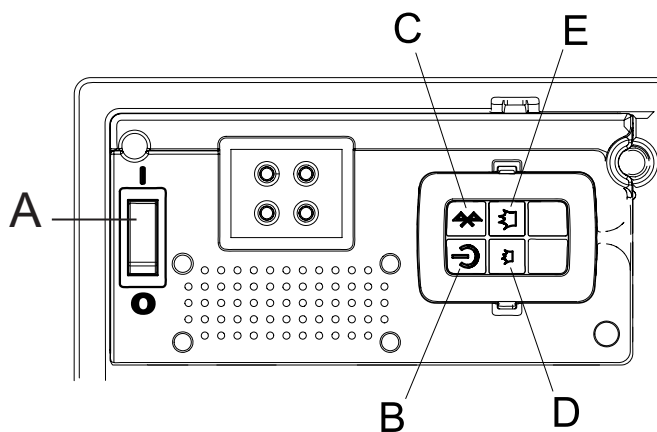


Fig. 11



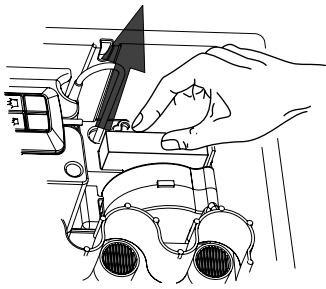


Fig.12

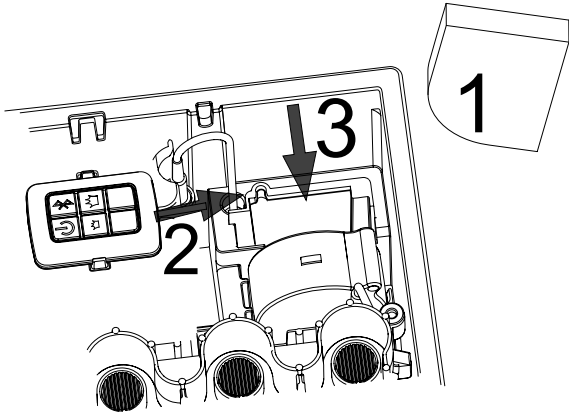


Fig. 13

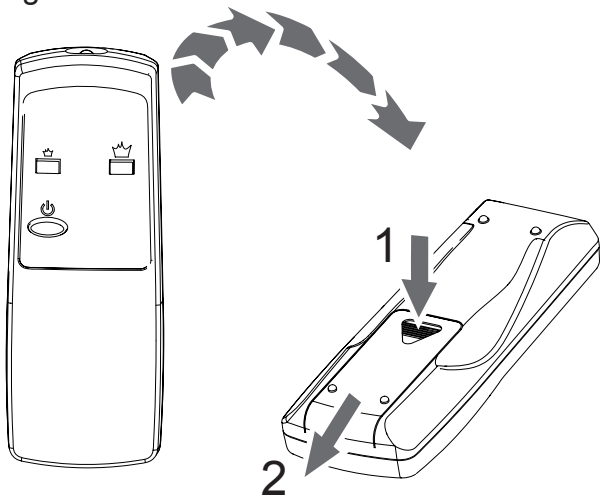


Fig. 14

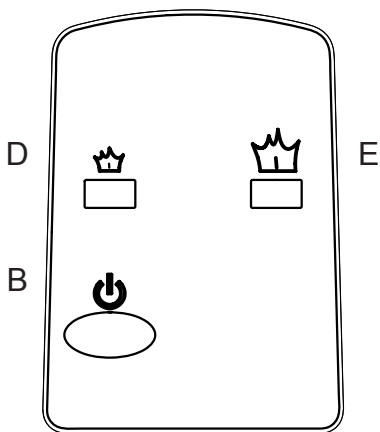


Fig. 15

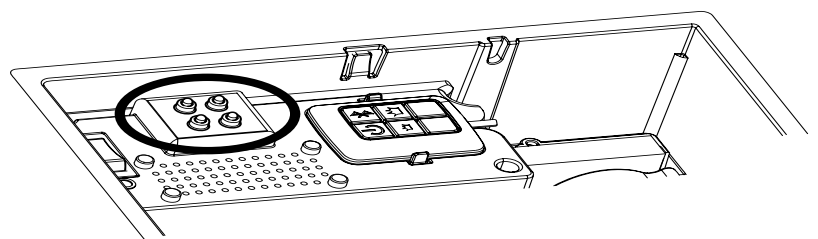


Fig. 16

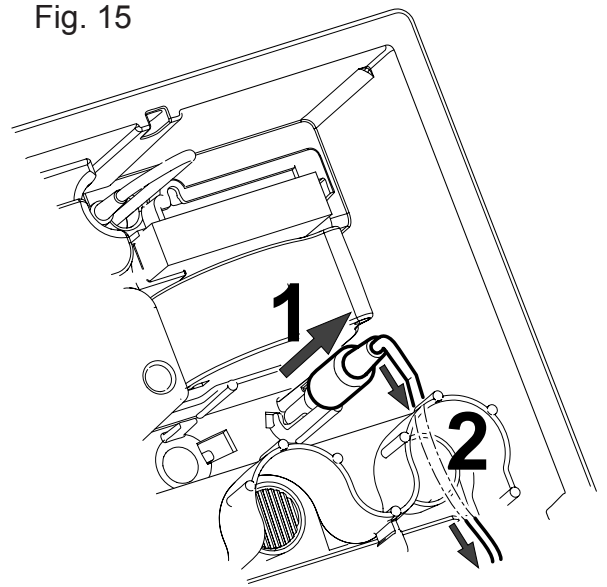
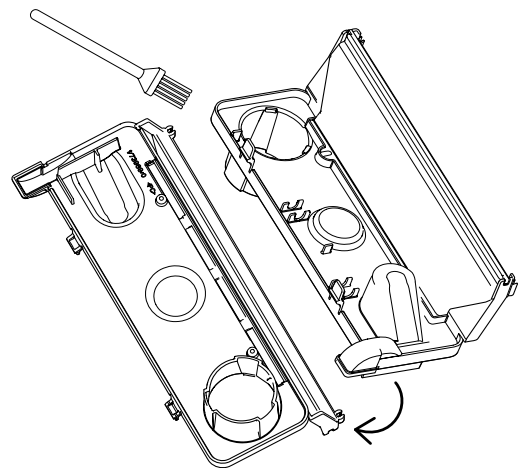
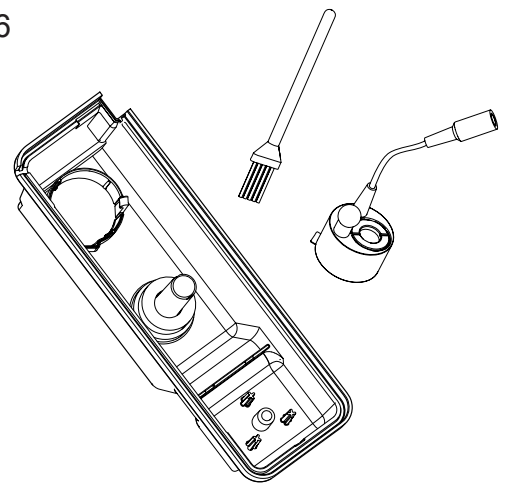


Fig. 17



GB	1
DE.....	6
NL.....	11
FR.....	16
IT.....	21
PL.....	26

Introduction

Thank you for choosing this Dimplex electric fire. Please read this information guide carefully to be able to safely install, use and maintain your product.

Important Safety Advice

When using electrical appliances, basic precautions should always be followed to reduce the risk of fire, electrical shock and injury to persons, including the following:

WARNING



Do not place material or garments on, or obstruct the air circulation around the appliance.

The appliance carries the Warning symbol indicating that it must not be covered.

DAMAGE

If the appliance is damaged, check with the supplier before installation and operation.

If the supply cord is damaged it must be replaced by the manufacturer or service agent or a similarly qualified person in order to avoid a hazard.

LOCATION

Do not use in the immediate surroundings of a bath, shower or swimming pool.

Do not locate the fire immediately below a fixed socket outlet or connection box.

Ensure that furniture, curtains or other combustible material are positioned no closer than 1 metre from the appliance.

PLUG POSITIONING

The appliance must be positioned so that the plug is accessible.

Keep the supply cord away from the front of the appliance.

UNPLUGGING

In the event of a fault unplug the device.

Unplug the device when not required for long periods.

OWNER/USER

This appliance can be used by children aged from 8 years and above and persons with reduced physical, sensory or mental capabilities or lack of experience and knowledge if they have been given supervision or instruction concerning use of the appliance in a safe way and understand the hazards involved. Children shall not play with the appliance. Cleaning and user maintenance shall not be made by Children without supervision.

Children of less than 3 years should be kept away unless continuously supervised. Children aged from 3 years and less than 8 years shall only switch on/off the appliance provided that it has been placed or installed in its intended normal operating position and they have been given supervision or instruction concerning use of the appliance in a safe way and understanding the hazards involved. Children aged from 3 years and less than 8 years shall not plug in, regulate and clean the appliance or perform user maintenance.

ELECTRICITY

Before switching on, please read the safety advice and operating instructions.

Note: This appliance is only to be used with the power supply unit provided.

Only plug this appliance into a supply that corresponds to that displayed on the power supply unit. The appliance must only be supplied at extra low voltage corresponding to the markings on the appliance.

CAUTION — Some internal parts of this product can become hot and may cause burns. Particular attention has to be given where children and vulnerable people are present.

WARNING - In order to avoid overheating, do not cover the appliance.

POWER SUPPLY

This model **must only be used** with the power supply provided. In the event of needing to replace it, please contact place of purchase.

General Information

Only use decalcified/filtered water in this appliance.

This appliance is intended for table top, worktop and furniture type fittings.

Always ensure that the appliance is sitting on a level surface.

Once installed, never move this appliance or lay on its back, without draining the water from sump and water tank.

If you intend not using the appliance for longer than 2 weeks, drain the water from sump and water tank and dry the sump.

The water tank, sump, sump lid, tank cap and air filters must be cleaned once every 2 weeks, particularly in hard water areas.

Please note: Used in an environment where background noise is very low, it may be possible to hear a sound which is related to the operation of the flame effect. This is normal and should not be a cause for concern.

The sump and the water tank in this product are treated with a biocidal product, Silver Biocide in order to control harmful or unwanted organisms. This conforms with the latest relevant ISO standard

Do not drink the water from the sump or from the water tank(s).

Installation Instructions

This section describes how to set up your fire.

BEFORE YOU START

Ensure that all packing items are removed (read any warning labels carefully) and retain all packing for possible future use e.g. in the event of moving house or returning the appliance to your supplier.

Before connecting to the mains supply, check that the supply voltage is the same as that stated on the appliance.

FURNITURE TYPE INSTALLATION

The CAS250 is intended to be used for furniture type installation - **see Fig. 1** for product dimensions.

A minimum of 40cm clearance must be left between the metal bed and any shelf/enclosure above it, in order to provide enough space for the flames/mist to form fully and not be obstructed.

There are slots at the base of the product that allows air to flow through, helping the mist evacuate effortlessly and also to keep the electronic components cool.

The product needs ventilation from underneath or at the rear to operate effectively.

A minimum 100cm² is required, for examples - see Fig. 1A.

Where the product is left in the centre of a room/hall, drafts or pedestrian traffic passing by the appliance can have an impact on the performance of the flame. For these installations, we would recommend putting a 4 sided glass surround, that sits on top of the table/worktop/shelf, around the outlet (metabed) - minimum size 33x33x10cm high.

To assemble the appliance into a 'worktop' (or similar type shelf), a rectangular hole is required to allow the product to be dropped into place. Adding a recess allows the product to be 'flush'/level with the worktop - **see Fig. 2.**

The metal bed is removable to allow access to controls and also to access the water tank, nozzle Lid, sump and transducer - **see Fig. 3.** The 24V input connection is at the rear of the product - connect the jack from the power supply unit to this input socket - **see Fig. 4.** A clearance hole (16-20mm) is required in furniture, to allow the lead from the power supply unit to be fitted. Alternatively, the ventilation hole may be used. Insert the jack from the mains cable to the power power supply unit (Do not Connect the Mains plug to a socket outlet until the appliance is ready for operation). The product can be secured, by screw fixing through the base or at 2 sides - **see Fig. 5 and 5a.** (fixing screws are not included).

Connecting the Transducer Unit :

1. Lift off the metal bed and place carefully on the table/worktop - **see Fig 3.**
3. Remove the water tank by lifting upwards and outwards - **see Fig 6.**
4. Remove the nozzle by unclipping (1) and lifting upwards and outwards (2) - **see Fig 7.**
5. The transducer will be inside the sump. Remove from its bag.

Locate the tab on the Transducer unit into the moulded recess in the base of the sump (1). Ensure that the cable does not obstruct the Transducer disc. To prevent the cable becoming pinched between the nozzle and the sump, ensure the cable exits through the slot at the corner of the sump (2). - **see Fig 8.**

Filling the Water Tank :

1. Lift out the metal bed and water tank, as described above.
2. Place the water tank in sink and remove cap, anti-clockwise to open - **see Fig 9.**
3. Fill the tank with **decalcified/filtered tap water only.** This is necessary to prolong the life of the flame and smoke producing unit. The water should be filtered through a conventional domestic water filter unit and the filter should be replaced regularly. Distilled water must **NOT** be used
4. Screw the cap back on (clockwise) - **do not over tighten.**
5. Place the Water Tank in the Sump, with the tank cap facing down and the flat side of the tank facing outward - **see Fig. 10.**

Operating the Product

This section describes how to activate your fire using either the manual controls or remote control. Inert the mains plug to the socket outlet (ensure that the supply voltage matches the voltage marked on the appliance).


MANUAL CONTROLS


The manual controls are located beneath the metal bed - **see Fig. 11** for Manual Control lay out.


Switch 'A':- Controls the electricity supply from the power supply unit to the Fire.


Note: This switch must be in the 'ON' (I) position for the Fire to operate.

BLUE TOOTH (BT) RECEIVER

Button 'B':- Press  once to turn on the flame effect. The LED's light up - it will take a further 45 seconds before the flame effect starts.

(Button 'C'  is used to pair the remote control - see Blue Tooth Remote Control section below)

Press  to put fire in to standby mode. This will be indicated by the LED's switched off.

Button 'D'and 'E':- Control the intensity of the flame effect. 

Press button 'D' to decrease the flame height.

Press button 'E' to increase the flame height.

When flame height reaches max. or min. the LED's will blink once.



Give the flame generator a couple of seconds to react to changes you may make.

The appliance will use less water if the flame effect is set to a lower level.

The Blue Tooth receiver can be removed from its location and placed outside the product if preferred. To do this, remove the metal bed - **see Fig. 3**, remove the Air filter - Unclip the BT receiver and feed it out through the air filter inlet hole - **see Fig. 12**. Unwind the cable from underneath and fit the BT receiver where desirable (cable length from inlet hole is 120cm). Replace the filter and the metal bed.

BLUE TOOTH (BT) REMOTE CONTROL


The remote control is supplied with 2xAAA batteries. Remove the battery cover from the underside of the remote control - **see Fig. 13** and after removing the batteries from the plastic wrapping fit them into place. Replace the battery cover.


The remote control has wireless technology and is required to be paired to the receiver. This is done by pressing the  button (C) on the BT receiver. The LED's will start to blink on and off. This is to let you know that the appliance is ready to connect to the remote control. Press the  button (B) on the remote control. The appliance will switch off. Now the remote control is paired to the appliance.

The operation of the remote control is the same as described in 'Receiver Controls'.

There are 3 buttons on the remote control - **see Fig. 14**. To operate correctly the remote must be pointed towards the product. The remote control functions operate in the same way as the manual buttons 'B', 'D' and 'E'.

 Standby (B)

 Flame down (D)

 Flame up (E)

Maintenance

GENERAL TIPS

Only use decalcified/filtered tap water in this appliance.

Always ensure that the appliance is sitting on a level surface.

If you intend not using the appliance for longer than 2 weeks, remove and empty the sump and water tank.

Once installed, never move this appliance or lay on its back, without draining the water from sump and water tank.

The appliance should never be operated if the LED's are not working.

FILLING THE WATER TANK

When the water tank needs refilling, the LED's, flame/smoke effect shuts off. (To indicate when tank needs refilling, the LED's blink twice, approximately 15 minutes before the flame/smoke shuts off)

1. Lift out the metal bed and place carefully on the table/worktop - **see Fig. 3**.

2. Remove the water tank by lifting upwards and outwards - **see Fig. 6**.

3. Place the water tank in sink and remove cap, anti-clockwise to open - **see Fig. 9**.

4. Fill tank with **decalcified/filtered water only**. This is necessary to prolong the life of the flame and smoke producing unit.

The water should be filtered through a conventional domestic water filter unit and the filter should be replaced regularly.

5. Screw the cap back on (clockwise), **do not over tighten**.

6. Return the tank to the sump, with the tank cap facing down and - **see Fig. 10.**
7. Gently place the metalbed back into position.

CLEANING

Warning – Always press Switch 'A' to the 'OFF' (0) position - **see Fig. 11** and disconnect from the power supply before cleaning the fire.

We recommend cleaning the following components once every 2 weeks, particularly in hard water areas:-
Water Tank, Sump, Nozzle, Tank cap and seal, Air filter.

For general cleaning use a soft clean duster – never use abrasive cleaners.

To remove any accumulation of dust or fluff, the soft brush attachment of a vacuum cleaner should occasionally be used.

Water tank

1. Lift the metalbed and place carefully on the table/worktop - **see Fig. 3.**
2. Remove the water tank, as described earlier - **see Fig. 6**, put into sink, unscrew cap anti-clockwise - **see Fig. 9** and empty water.
3. Using the supplied brush gently rub the inside surfaces of the cap, paying particular attention to the rubber ring in the outer groove and the centre rubber seal.
4. Put a small quantity of washing up liquid into the tank, refit the cap and shake well, rinse out until all traces of washing up liquid are gone.
5. Refill with decalcified/filtered tap water only, replace the cap (clockwise), **do not overtighten** - **see Fig. 10.**
6. Gently place the metalbed back into position.

Sump

1. Lift the metalbed and place carefully on the table/worktop - **see Fig. 3.**
2. Press Switch 'A' to the 'OFF' (0) position -
3. Remove the water tank by lifting upwards and outwards - **see Fig. 6.**
4. Remove the nozzle by unclipping (1) and lifting upwards (2) - **see Fig. 7**
5. Disconnect the transducer (1) and feed/pull the connector underneath the LED's (2) - **see Fig. 15.**
6. Gently lift up the sump, taking care to keep level so as not to spill any water. Sit the assembly in the sink.
7. Lift out the transducer and carefully tilt, so that the liquid drains out of the sump.
8. Put a small amount of washing up liquid into the sump, and using the supplied brush, gently clean all surfaces in the sump and gently clean the transducer including the metal discs located in the top grooved surface - **see Fig. 16.**
10. When cleaned, thoroughly rinse the sump with clean water to remove all traces of washing up liquid.
11. Clean the Nozzle with the brush and flush out thoroughly with water - **see Fig. 17.**
12. Reverse the above steps to reassemble.

Air filter

1. Lift the metal bed and place carefully on the table/worktop - **see Fig. 3.**
2. Gently slide the air filter upwards out of its plastic holder - **see Fig. 12.**
3. Gently rinse with water in the sink and dry with fabric towel before returning.
4. Replace the filter making sure that the coarse black filter is facing the front of the fire.
5. Gently place the metalbed back into position.

Additional Information

AFTER SALES SERVICE

Your product is guaranteed for 2 years from the date of purchase. Within this period, we undertake to repair or exchange this product free of charge (excluding transducer disc, subject to availability & lifetime subject to regular maintenance) provided it has been installed and operated in accordance with these instructions. Your rights under this guarantee are additional to your statutory rights, which in turn are not affected by this guarantee.

RECYCLING



For electrical products sold within the European Community - At the end of the electrical products useful life it not be disposed of with household waste. Please recycle where facilities exist. Check with your Local Authority or retailer for recycling advice in your country.

PATENT / PATENT APPLICATION

Products within the Optimyst range are protected by one or more of the following patents and patent applications:

Great Britain GB 2402206, GB 2460259, GB 2460453, GB 2418014, GB 2465738, GB 2449925, GB 2465537, GB 2455277, GB1020534.2, GB1020537.5, GB1110987.3

United States US 7967690, US 2010299980, US 2011062250, US 2008028648, US 13/167,042
 Russia RU2008140317
 European EP 2029941, EP 2201301, EP 2315976, EP 1787063, EP07723217.1 , EP11170434.2, EP 11170435.9
 China CN 101883953, CN 200980128666.2, CN 101057105, CN 101438104
 Australia AU 2009248743, AU 2007224634
 Canada CA 2725214, CA 2579444, CA 2645939
 International Patent Application WO 2006027272
 South Africa ZA 200808702
 Mexico MX 2008011712
 Korea KR 20080113235
 Japan JP 2009529649
 Brazil BR P10708894-9
 India IN 4122/KOLNP/2008
 New Zealand NZ 571900

Troubleshooting

Symptom	Cause	Corrective Action
The flame effect will not start.	Mains plug is not plugged in. Low water level. Low voltage connector not connected properly. (See Fig.4)	Check plug is connected to wall socket correctly. Check that the water tank is full and there is water in the sump. Check that the connectors are inserted correctly. (See Fig.4) Check the mains plug is inserted correctly.
The flame effect is too low.	Flame effect is set too low. The Disc in the transducer might be dirty The wire from the Transducer Unit is sitting over the disc	Increase level of flame by pressing 🔥 (button 'E') on your remote or receiver. Clean the Disc with a soft brush. See 'Maintenance.' for a step by step procedure. Direct the wire to the corner of the sump and make sure it sits into the slot exiting the sump - check the connection.
Unpleasant smell when unit is used.	Dirty or stale water. Using unfiltered tap water.	Clean the unit as described under maintenance. Use only decalcified/filtered tap water.
The flame effect has too much smoke.	Flame effect setting is too high.	Decrease level of flame by pressing 🔥 (button 'D') on your remote or receiver. Give the flame generator some time to adjust to the new setting.
Product will not operate. LED's are not on.	The product has no water	Refill the water tank.

Einführung

Danke, dass Sie sich für das elektrische Feuer von Dimplex entschieden haben. Bitte lesen Sie diese Informationsbroschüre sorgfältig, damit Sie Ihr Produkt sicher installieren, benutzen und warten zu können.

Wichtige Sicherheitshinweise

Bei der Benutzung von elektrischen Anwendungen sollten stets grundlegende Sicherheitsmaßnahmen befolgt werden, um das Risiko für Feuer, Stromschlag oder die Verletzung von Personen einschließlich Folgendem zu vermeiden:

WARNUNG



Keine Materialien oder Textilien auf das Gerät legen oder den Luftfluss um das Gerät herum beeinträchtigen. Das Gerät ist mit einem Warnsymbol versehen, welches anzeigt, dass das Gerät nicht abgedeckt werden darf.

SCHADEN

Ist das Gerät beschädigt, sprechen Sie mit dem Zulieferer vor der Installation und Inbetriebnahme. Wenn das Stromkabel beschädigt ist, muss es durch den Hersteller oder Dienstleister oder eine ähnlich qualifizierte Person ersetzt werden, um Gefahren zu vermeiden.

STANDORT

Nicht in der unmittelbaren Nähe eines Bades, einer Dusche oder eines Schwimmbeckens benutzen. Stellen Sie das Gerät nicht direkt unter eine Steckdose oder einem Anschlusskasten. Stellen Sie sicher, dass sich Möbel, Vorhänge oder andere brennbare Materialien nicht näher als 1 Meter vom Gerät befinden.

STECKERPOSITIONIERUNG

Das Gerät muss so aufgestellt werden, dass der Stecker zugänglich ist. Das Stromkabel sollte so angebracht werden, dass es die Vorderseite des Geräts nicht berührt.

AUSSTECKEN

Im Fehlerfall, bitte das Gerät ausstecken. Gerät ausstecken, wenn es für längere Zeit nicht erforderlich ist.

INHABER/BENUTZER

Dieses Gerät kann von Kindern ab 8 Jahren betrieben werden sowie von Personen, die verminderte körperliche, sensorische oder geistige Fähigkeiten haben oder keine Erfahrung oder Wissen haben, wenn sie die Aufsicht für den sicheren Betrieb eines Gerätes oder Anweisungen erhalten haben und die potentiellen Gefahren verstehen. Kinder dürfen nicht mit dem Gerät spielen. Die Reinigung und Wartung darf nicht von Kindern ohne Aufsicht erfolgen. Kinder unter 3 Jahren sollten von dem Gerät ferngehalten werden, es sei denn, sie sind stets beaufsichtigt. Kinder ab 3 Jahre und weniger als 8 Jahre dürfen das Gerät nur an- und ausschalten, wenn es in seiner vorgesehenen Betriebsposition aufgestellt und installiert wurde und wenn sie die Aufsicht für den sicheren Betrieb eines Gerätes oder Anweisungen erhalten haben und die potentiellen Gefahren verstehen. Kinder ab 3 Jahren und unter 8 Jahren dürfen das Gerät nicht einstecken, regulieren oder reinigen oder Wartungsarbeiten vornehmen.

ELEKTRIZITÄT

Dieses Gerät darf nur über ein Wechselstromnetz betrieben werden und die angegebene Spannung auf dem Gerät muss der Versorgungsspannung entsprechen. Vor dem Anschalten bitte die Sicherheitswarnungen und die Bedienungsanleitung durchlesen.

Hinweis: Dieses Gerät darf nur mit dem mitgelieferten Netzteil betrieben werden.

Der Anschluss dieses Geräts darf nur an eine Spannungsversorgung erfolgen, die der auf dem Netzteil angegebenen Spannung entspricht. Der Betrieb des Geräts darf nur mit einer Niederspannung entsprechend der Angaben auf dem Gerät erfolgen.

VORSICHT - Einige Innenteile dieses Produkts können heiß werden und Verbrennungen verursachen. Besondere Aufmerksamkeit

Muss gegeben werden, wo Kinder und gefährdete Personen anwesend sind.

WARNUNG - Um Überhitzung zu vermeiden, decken Sie das Gerät nicht ab.

NETZTEIL

Dieses Modell darf nur mit dem mitgelieferten Netzteil verwendet werden. Für den Fall, dass ein Austausch erforderlich ist, wenden Sie sich bitte an die Stelle, an der Sie das Produkt gekauft haben

Allgemeine Informationen

Verwenden Sie in diesem Gerät nur entkalktes/gefilitertes Wasser. Dieses Gerät ist für Tisch-, Arbeitsplatten- und Möbeltypen geeignet.

Stellen Sie immer sicher, dass das Gerät auf einer ebenen Fläche steht.

Einmal installiert, bewegen Sie dieses Gerät niemals und legen Sie es nicht auf den Rücken, ohne das Wasser aus dem Sammelbehälter und dem Wassertank abzulassen.

Wenn Sie das Gerät länger als 2 Wochen nicht benutzen, lassen Sie das Wasser aus dem Sammelbehälter und dem Wassertank ab und trocknen Sie den Sammelbehälter.

Der Wassertank, der Sammelbehälter, der Wannendeckel, der Tankdeckel und die Luftfilter müssen alle 2 Wochen gereinigt werden, insbesondere in Gebieten mit hartem Wasser.

Hinweis: In leisen Umgebungen ist ein hörbares Geräusch des Geräts möglich, welches vom Betrieb des Flammeneffekts herrührt. Dies ist normal und stellt kein Problem dar.

Der Sammelbehälter und der Wassertank in diesem Produkt sind mit dem Biozidprodukt Silberbiozid behandelt, um schädliche oder unerwünschte Organismen zu bekämpfen. Dies entspricht dem neuesten einschlägigen ISO-Standard. Trinken Sie nicht das Wasser aus dem Sammelbehälter oder aus dem/den Wassertank(s).

Installationsanleitung

In diesem Abschnitt wird die Installation des Feuers beschrieben.

BEVOR SIE BEGINNEN

Stellen Sie bitte sicher, dass alle Verpackungsmaterialien entfernt wurden (Warnkennzeichnungen sorgfältig lesen) und bewahren Sie die Verpackung für mögliche Wiederverwendung auf, z. B. wenn Sie umziehen oder das Gerät zu Ihrem Lieferanten bringen oder zurückgeben.

Vor Anschluss des Geräts an das Stromnetz prüfen Sie bitte, dass die Voltzahl der Zahl entspricht, die auf dem Heizgerät angegeben ist.

MÖBELTYP-INSTALLATION

Der CAS250 ist für den Einsatz in der Möbelindustrie bestimmt - **siehe Abb. 1** für Produktmaße.

Ein Abstand von mindestens 40 cm muss zwischen dem Metallbett und jedem darüber liegenden Regal/Gehäuse verbleiben, um genügend Platz für die Bildung der Flammen/Nebel zu schaffen, die nicht blockiert werden.

An der Unterseite des Produkts befinden sich Schlitze, durch die Luft hindurchströmen kann. Dadurch wird das Entleeren des Nebels erleichtert und die elektronischen Komponenten bleiben kühl.

Das Produkt muss von unten oder hinten belüftet werden, um effektiv arbeiten zu können.

Ein Minimum von 100cm² wird benötigt, für Beispiele - siehe Abb. 1a.

Wenn das Produkt in der Mitte eines Raumes/einer Halle verbleibt, können Zugluft oder Fußgängerverkehr, die an dem Gerät vorbeigehen, Auswirkungen auf die Leistung der Flamme haben. Für diese Installationen empfehlen wir eine 4-seitige Glasumrandung, die oben auf dem Tisch/Arbeitsplatte/Regal steht, um den Auslass (Metaboden) zu legen - Mindestgröße 33 x 33 x 10 cm.

Um das Gerät zu einer Arbeitsplatte (oder einem ähnlichen Regal) zusammenzufügen, ist ein rechteckiges Loch erforderlich, damit das Produkt an Ort und Stelle fallen kann. Durch das Hinzufügen einer Aussparung kann das Produkt bündig mit der Arbeitsplatte ausgerichtet werden - **siehe Abb. 2**. Das Metallbett ist abnehmbar, um Zugang zu den Bedienelementen zu erhalten und auch Zugang zum Wassertank, der Düsenabdeckung, dem Sammelbehälter und dem Wandler zu erhalten - **siehe Abb. 3**. Der 24-V-Eingangsanschluss befindet sich auf der Rückseite des Produkts - verbinden Sie die Buchse des Netzteils mit dieser Eingangsbuchse - **siehe Abb. 4**. In den Möbeln ist ein Durchgangsloch (16-20 mm) erforderlich, damit die Leitung vom Netzteil angeschlossen werden kann. Alternativ kann das Belüftungsloch verwendet werden. Stecken Sie den Stecker des Netzkabels in das Netzteil (Schließen Sie den Netzstecker erst an eine Steckdose an, wenn das Gerät betriebsbereit ist). Das Produkt kann gesichert werden, durch Schrauben durch die Basis oder an 2 Seiten - **siehe Abb. 5 und 5a**. (Befestigungsschrauben sind nicht enthalten).

Anschluss der Wandlereinheit:

1. Heben Sie das Metallbett ab und legen Sie es vorsichtig auf den Tisch/Arbeitsplatte - **siehe Abb. 3**.
3. Entfernen Sie den Wassertank, indem Sie ihn nach oben und außen heben - **siehe Abb. 6**.
4. Entfernen Sie die Düse durch Abschneiden (1) und nach oben und außen anheben (2) - **siehe Abb. 7**.
5. Der Wandler befindet sich im Sammelbehälter. Aus seiner Tasche entfernen.

Die Lasche an der Wandlereinheit in die geformte Vertiefung im Boden des Sammelbehälters einführen (1). Stellen Sie sicher, dass das Kabel die Wandlerscheibe nicht blockiert. Um zu verhindern, dass das Kabel zwischen der Düse und des Sammelbehälters eingeklemmt wird, stellen Sie sicher, dass das Kabel durch den Schlitz an der Ecke der Sammelbehälters (2) austritt. - **siehe Abb. 8**.

Füllen des Wassertanks:

1. Heben Sie das Metallbett und den Wassertank wie oben beschrieben heraus.
2. Stellen Sie den Wassertank in die Spüle und entfernen Sie den Deckel, gegen den Uhrzeigersinn öffnen - **siehe Abb. 9**.
3. Füllen Sie den Wassertank **nur mit entkalktem/gefiltertem Leitungswasser**. Dies ist notwendig, um die Lebensdauer der Flammen- und Rauch erzeugenden Einheit zu verlängern. Das Wasser sollte durch eine herkömmliche Haushaltswasserfiltereinheit gefiltert werden und der Filter sollte regelmäßig ersetzt werden. Destilliertes Wasser darf **NICHT** genutzt werden.
4. Schrauben Sie den Deckel wieder fest (Uhrzeigersinn) - **nicht überdrehen**.
5. Stellen Sie den Wassertank mit dem Tankdeckel nach unten und der flachen Seite des Tanks nach außen in den Sammelbehälter. **siehe Abb. 10**.

Das Produkt bedienen

In diesem Abschnitt wird beschrieben, wie Sie Ihr Feuer mithilfe der manuellen Steuerung oder der Fernbedienung aktivieren können. Stecken Sie den Netzstecker in die Steckdose (achten Sie darauf, dass die Versorgungsspannung der auf dem Gerät angegebenen Spannung entspricht).


MANUELLE STEUERUNG



Die manuellen Steuerungen befinden sich unter dem Metallboden - **siehe Abb. 11** für manuelle Steuerung.

Schalter „A“: - Steuert die Stromversorgung vom Netzteil zum Feuer.

Hinweis: Dieser Schalter muss sich auf der „EIN“ (I) -Position befinden, damit das Feuer betrieben werden kann.

BLUETOOTH (BT) -EMPFÄNGER

Taste „B“: - Drücken Sie  einmal um den Flammeneffekt einzuschalten. Die LEDs leuchten - es dauert weitere 45 Sekunden bis der Flammeneffekt einsetzt.

(Taste „C“  wird verwendet, um die Fernbedienung zu paaren - siehe unteren Abschnitt Bluetooth-Fernbedienung)
Drücken Sie  um das Feuer in den Standby-Modus zu bringen. Dies wird angezeigt, wenn die LEDs ausgeschaltet sind.

Taste „D“ und „E“: - Kontrollieren Sie die Intensität des Flammeneffekts. 

Drücken Sie die Taste „D“, um die Flammenhöhe zu verringern.

Drücken Sie die Taste „E“, um die Flammenhöhe zu erhöhen

Wenn die maximale bzw. die minimale Flammenhöhe erreicht wird, blinken die LEDs einmal.



Geben Sie dem Flammengenerator Zeit, um auf Änderungen zu reagieren, die Sie vornehmen.

Das Feuer wird weniger Wasser verbrauchen, wenn der Flammeneffekt auf ein niedrigeres Niveau eingestellt ist.

Der Bluetooth-Empfänger kann von seinem Standort entfernt und gegebenenfalls außerhalb des Produkts platziert werden. Entfernen Sie dazu das Metallbett - **siehe Abb. 3**, entfernen Sie den Luftfilter - Clipsen Sie den BT-Empfänger aus und führen Sie ihn durch die Luftfiltereinlassöffnung aus - **siehe Abb. 12**. Wickeln Sie das Kabel von der Unterseite ab und befestigen Sie den BT-Empfänger an der gewünschten Stelle (Kabellänge vom Einlassloch beträgt 120 cm). Tauschen Sie den Filter und das Metallbett aus.

BLUETOOTH (BT) -FERNBEDIENUNG


Die Fernbedienung wird mit 2 x AAA-Batterien geliefert. Schließen Sie die Batteriefach-Abdeckung von der Unterseite der Fernbedienung - **siehe Abb. 13** und nach dem Entfernen der Batterien aus der Kunststoffhülle legen Sie sie ein. Ersetzen Sie die Batterieabdeckung.

Die Fernbedienung verfügt über Funktechnologie und muss mit dem Empfänger gekoppelt werden. Dies geschieht durch Drücken der  Taste (C) am BT-Empfänger. Die LEDs beginnen zu blinken. Hiermit möchten wir Sie wissen lassen, dass das Gerät bereit ist, eine Verbindung mit der Fernbedienung herzustellen. Drücken Sie  Taste (B) auf der Fernbedienung. Das Gerät schaltet sich aus. Jetzt ist die Fernbedienung mit dem Gerät gekoppelt.

Die Bedienung der Fernbedienung ist dieselbe wie unter „Empfängerkontrollen“ beschrieben.

Es gibt 3 Tasten auf der Fernbedienung - **siehe Abb. 14**. Um richtig zu funktionieren, muss die Fernbedienung auf das Produkt gerichtet sein. Die Fernbedienungsfunktionen funktionieren auf die gleiche Weise wie die manuellen Tasten „B“, „D“ und „E“.

 Standby (B)

 Flamme runter (D)

 Flamme hoch (E)

Wartung

ALLGEMEINE HINWEISE

Verwenden Sie in diesem Gerät nur entkalktes/gefiltertes Leitungswasser.

Stellen Sie immer sicher, dass das Gerät auf einer ebenen Fläche steht.

Wenn Sie das Gerät länger als 2 Wochen nicht benutzen, entfernen und entleeren Sie den Sammelbehälter und den Wassertank. Einmal installiert, bewegen Sie dieses Gerät niemals und legen Sie es nicht auf den Rücken, ohne das Wasser aus dem Sammelbehälter und dem Wassertank abzulassen.

Das Gerät sollte niemals in Betrieb genommen werden, wenn die LEDs nicht funktionieren.

FÜLLEN DES WASSERTANKS

Wenn der Wassertank nachgefüllt werden muss, werden die LED's, Flammen-/Rauch-Effekte, abgeschaltet. (Um anzuzeigen, wenn der Tank nachgefüllt werden muss, blinken die LEDs zweimal, etwa 15 Minuten bevor die Flamme/der Rauch abgestellt wird)

1. Das Metallbett ausheben und vorsichtig auf den Tisch/Arbeitsplatte legen - **siehe Abb. 3**.

2. Entfernen Sie den Wassertank, indem Sie ihn nach oben und außen heben - **siehe Abb. 6**.

3. Stellen Sie den Wassertank in die Spüle und entfernen Sie den Deckel, gegen den Uhrzeigersinn öffnen - **siehe Abb. 9**.

4. Füllen Sie den Tank nur auf mit **entkalktem/gefiltertem Wasser**. Dies ist notwendig, um die Lebensdauer der Flammen- und Rauch erzeugenden Einheit zu verlängern.

Das Wasser sollte durch eine herkömmliche Haushaltswasserfiltereinheit gefiltert werden und der Filter sollte regelmäßig ersetzt werden.

5. Schrauben Sie den Deckel wieder fest (Uhrzeigersinn), **nicht überdrehen**.
6. Den Tank mit dem Tankdeckel nach unten in den Sammelbehälter zurücklegen und - **siehe Abb. 10**.
7. Setzen Sie das Metallbett vorsichtig wieder in Position.

REINIGUNG

Warnung - Den Schalter „A“ immer auf die „AUS“ (0) -Position stellen - **siehe Abb. 11** und trennen Sie die Stromversorgung, bevor Sie das Feuer reinigen.

Wir empfehlen, die folgenden Komponenten alle 2 Wochen zu reinigen, insbesondere in Gebieten mit hartem Wasser: Wassertank, Sammelbehälter, Düse, Tankdeckel und Dichtung, Luftfilter.

Verwenden Sie für die allgemeine Reinigung einen weichen, sauberen Staubtuch - verwenden Sie niemals Scheuermittel. Um Staub- und Fusselablagerungen zu entfernen, sollte gelegentlich der weiche Bürstenaufsatz eines Staubsaugers verwendet werden.

Wassertank

1. Das Metallbett ausheben und vorsichtig auf den Tisch/Arbeitsplatte legen - **siehe Abb. 3**.
2. Entfernen Sie den Wassertank, wie zuvor beschrieben - **siehe Abb. 6** in die Spüle geben, Deckel gegen den Uhrzeigersinn abschrauben - **siehe Abb. 9** und Wasser entleeren.
3. Verwenden Sie die mitgelieferte Bürste, um die Innenseite des Deckels vorsichtig zu reiben. Achten Sie besonders auf den Gummiring in der äußeren Nut und der mittleren Gummidichtung.
4. Geben Sie eine kleine Menge Spülmittel in den Tank, setzen Sie den Deckel wieder auf und schütteln Sie gut, spülen Sie bis alle Spuren von Spülmittel verschwunden sind.
5. Nur mit entkalktem/geduldetem Leitungswasser auffüllen, den Deckel wieder anbringen (im Uhrzeigersinn), **nicht überdrehen** - **siehe Abb. 10**.
6. Setzen Sie das Metallbett vorsichtig wieder in Position.

Sammelbehälter

1. Das Metallbett ausheben und vorsichtig auf den Tisch/Arbeitsplatte legen - **siehe Abb. 3**.
2. Bringen Sie Schalter „A“ auf die „AUS“ (0) -Position -
3. Entfernen Sie den Wassertank, indem Sie ihn nach oben und außen heben - **siehe Abb. 6**.
4. Entfernen Sie die Düse durch Lösen (1) und nach oben Heben (2) - **siehe Abb. 7**
5. Den Wandler (1) abklemmen und den Stecker unter den LEDs (2) eingeben/ziehen **siehe Abb. 15**.
6. Heben Sie den Sammelbehälter vorsichtig an und achten Sie darauf, dass er waagrecht bleibt, damit kein Wasser verschüttet wird. Setzen Sie die Montage in die Spüle.
7. Den Wandler herausheben und vorsichtig kippen, wie gezeigt, so dass die Flüssigkeit aus dem Sammelbehälter abfließt.
8. Geben Sie eine kleine Menge Spülmittel in den Sammelbehälter und reinigen Sie mit der mitgelieferten Bürste alle Oberflächen im Sammelbehälter vorsichtig und reinigen Sie den Wandler einschließlich der Metallscheiben in der oberen gerillten Oberfläche - **siehe Abb. 16**.
10. Spülen Sie den Sammelbehälter bei der Reinigung gründlich mit klarem Wasser, um jegliche Spuren von Spülmittel zu entfernen.
11. Reinigen Sie die Düse mit der Bürste und spülen Sie diese gründlich mit Wasser aus- **siehe Abb. 17**.
12. Kehren Sie die obigen Schritte zum erneuten Zusammensetzen um.

Luftfilter

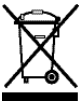
1. Das Metallbett ausheben und vorsichtig auf den Tisch/Arbeitsplatte legen - **siehe Abb. 3**.
2. Schieben Sie den Luftfilter vorsichtig nach oben aus dem Plastikhalter - **siehe Abb. 12**.
3. Spülen Sie sie vorsichtig mit Wasser in der Spüle ab und trocknen Sie sie mit einem Stoffhandtuch, bevor Sie zurückgehen.
4. Tauschen Sie den Filter aus und vergewissern Sie sich, dass der grobe schwarze Filter zur Vorderseite des Feuers zeigt.
5. Setzen Sie das Metallbett vorsichtig wieder in Position.

Zusätzliche Informationen

Service nach dem Verkauf

Die Produktgarantie besteht zwei Jahre lang nach Kaufdatum. Innerhalb dieser Frist verpflichten wir uns, dieses Produkt kostenlos zu reparieren oder auszutauschen (ausgenommen Wandlerscheibe und vorbehaltlich der Verfügbarkeit), sofern es in Übereinstimmung mit diesen Anweisungen installiert und betrieben wurde. Ihre Rechte aus dieser Garantie sind zusätzlich zu Ihren gesetzlichen Rechten, die wiederum von dieser Garantie nicht betroffen sind.

RECYCLING



Für elektrische Produkte, die innerhalb der Europäischen Gemeinschaft verkauft werden – Nach Ende der Lebensspanne des elektrischen Gerätes darf dies nicht im Haushaltsabfall entsorgt werden. Bitte bei den entsprechenden Einrichtungen recyceln. Holen Sie sich Ratschläge zum Recyceln bei Ihren örtlichen Behörden oder Ihrem Einzelhändler für Ihr Land ein.

PATENT / PATENTANMELDUNG

Produkte der Optimyst-Reihe sind durch eines oder mehrere der folgenden Patente und Patentanmeldungen geschützt:

Großbritannien GB 2402206, GB 2460259, GB 2460453, GB 2418014, GB 2465738, GB 2449925, GB 2465537, GB 2455277, GB1020534.2, GB1020537.5, GB1110987.3

USA US 7967690, US 2010299980, US 2011062250, US 2008028648, US 13/167,042

Russland RU2008140317

Europa EP 2029941, EP 2201301, EP 2315976, EP 1787063, EP07723217.1, EP11170434.2, EP 11170435.9

China CN 101883953, CN 200980128666.2, CN 101057105, CN 101438104

Australien AU 2009248743, AU 2007224634

Kanada CA 2725214, CA 2579444, CA 2645939

Internationale Patentanmeldung WO 2006027272

Südafrika ZA 200808702

Mexiko MX 2008011712

Korea KR 20080113235

Japan JP 2009529649

Brasilien BR P10708894-9

Indien IN 4122/KOLNP/2008

Neuseeland NZ 571900

Problemlösung

Symptom	Ursache	Korrekturmaßnahme
Der Flammeneffekt wird nicht starten.	Netzstecker ist nicht eingesteckt. Niedriger Wasserstand. Niederspannungsstecker nicht richtig angeschlossen. (Siehe Abb. 4)	Überprüfen Sie, ob der Stecker korrekt an der Steckdose angeschlossen ist. Überprüfen Sie, ob der Wassertank voll ist und es gibt Wasser in der Wanne. Überprüfen Sie, ob die Stecker richtig eingesteckt sind. (Siehe Abb. 4) Überprüfen Sie ob der Netzstecker richtig angeschlossen ist
Der Flammeneffekt ist zu niedrig.	Der Flammeneffekt ist zu niedrig eingestellt. Die Scheibe im Schallkopf könnte schmutzig sein Der Draht der Wandlereinheit sitzt über der Scheibe	Erhöhen Sie das Flammenniveau durch Drücken von 🔥 (Taste „E“) auf Ihrer Fernbedienung oder Ihrem Receiver. Reinigen Sie die Scheibe mit einer weichen Bürste. Siehe „Instandhaltung“ für eine Schritt-für-Schritt-Anleitung. Richten Sie das Kabel an der Ecke der Ölwanne aus und achten Sie darauf, dass es in dem Schlitz sitzt, der aus der Ölwanne herausragt - überprüfen Sie die Verbindung.
Unangenehmer Geruch wenn Gerät benutzt wird.	Schmutziges oder abgestandenes Wasser. Mit ungefiltertem Wasser.	Reinigen Sie das Gerät wie unter Instandhaltung beschrieben. Verwenden Sie nur entkalktes/gefiltertes Leitungswasser.
Der Flammeneffekt hat zu viel Rauch.	Die Flammeneffekt-Einstellung ist zu hoch.	Verringern Sie das Flammenniveau durch Drücken von 🔥 (Taste „D“) auf Ihrer Fernbedienung oder Ihrem Receiver. Geben Sie dem Flammengenerator Zeit, um auf die neue Einstellung zu reagieren, bevor Sie ihn weiter erhöhen.
Das Produkt funktioniert nicht. LEDs sind nicht an.	Das Produkt hat kein Wasser	Füllen Sie den Wassertank nach.

Introductie

Hartelijk dank voor het kiezen van een elektrische haard van Dimplex. Lees deze informatiehandleiding zorgvuldig door voor het veilig installeren, gebruiken en onderhouden van uw product.

Belangrijk veiligheidsadvies

Bij het gebruik van elektrische apparaten moeten basisvoorzorgsmaatregelen worden genomen om het risico op brand, elektrische schokken en letsels aan personen te verminderen, waaronder de volgende zaken.

WAARSCHUWING



Geen materiaal of kleding op het apparaat leggen of de luchtcirculatie rondom het apparaat belemmeren.

Het apparaat is voorzien van een waarschuwingssymbool, waarmee wordt aangegeven dat het niet afgedekt mag worden.

SCHADE

Als het apparaat is beschadigd, neem dan onmiddellijk contact op met de leverancier, voordat u het apparaat installeert en in gebruik neemt.

Als het netsnoer is beschadigd, moet het door de fabrikant worden vervangen, door een servicedienst of door een vergelijkbaar gekwalificeerd persoon om gevaar te voorkomen.

LOCATIE

Gebruik het apparaat niet in de onmiddellijke nabijheid van een bad, douche of zwembad.

Gebruik het apparaat niet op een plaats direct onder een vast stopcontact of een losse doos van een verlengsnoer. Zorg ervoor dat meubelen, gordijnen en andere brandbare materialen zich op meer dan 1 meter van het apparaat bevinden.

POSITIE VAN DE STEKKER

Het apparaat moet zo worden geplaatst, dat de stekker bereikbaar is.

Houd het netsnoer uit de buurt van de voorkant van het apparaat.

ONTKOPPELEN VAN STOPCONTACT

Ontkoppel het apparaat in geval van een storing.

Ontkoppel het apparaat wanneer het gedurende een lange tijd niet wordt gebruikt.

EIGENAAR/GEBRUIKER

Dit apparaat mag worden gebruikt door kinderen van 8 jaar en ouder en door personen met beperkte fysieke zintuiglijke of mentale capaciteiten of met een gebrek aan ervaring of kennis, mits zij onder toezicht staan of uitleg hebben ontvangen betreffende het veilige gebruik van het apparaat en mits zij de bijbehorende gevaren begrijpen. Kinderen mogen niet met het apparaat spelen. Kinderen mogen zonder begeleiding het apparaat niet reinigen of onderhouden.

Kinderen jonger dan 3 jaar mogen niet bij het apparaat komen, tenzij zij voortdurend worden begeleid. Kinderen ouder dan 3 jaar en jonger dan 8 jaar mogen het apparaat alleen in- of uitschakelen als het in de normale gebruikspositie is geplaatst of geïnstalleerd en zij op een veilige manier toezicht krijgen of instructies hebben gekregen over het gebruik van het apparaat en zij de gevaren begrijpen. Kinderen ouder dan 3 jaar en jonger dan 8 jaar mogen de stekker niet in het stopcontact steken, mogen het apparaat niet bedienen en mogen ook geen onderhoud plegen.

ELEKTRICITEIT

Dit apparaat mag alleen op een wisselstroombron worden gebruikt en de spanning, aangegeven op het apparaat, moet overeenkomen met de voedingsspanning. Lees de veiligheidswaarschuwingen en instructies voor de bediening alvorens het apparaat aan te zetten.

Let op: Dit apparaat mag uitsluitend samen met de meegeleverde netvoedingseenheid worden gebruikt.

Sluit het apparaat alleen aan op een voeding die correspondeert met de gegevens die op de netvoedingseenheid worden vermeld. Het apparaat mag alleen worden gebruikt met een extra lage spanning die overeenkomt met de aanduidingen op het apparaat.

VOORZICHTIG - Sommige onderdelen van dit product kunnen erg heet worden en brandwonden veroorzaken. Er moet extra worden opgelet wanneer er kinderen en kwetsbare personen aanwezig zijn.

WAARSCHUWING - Om oververhitting te voorkomen mag u het apparaat niet afdekken.

STROOMAANSLUITING

Dit model mag enkel gebruikt worden met het bijgeleverde stroomsnoer. Gelieve contact op te nemen met uw leverancier indien het moet worden vervangen.

Algemene informatie

Gebruik in dit apparaat uitsluitend ontkalkt/gefilterd water.

Dit apparaat is bedoeld voor tafel-, werkblad- en meubeluitsparingen.

Zorg er altijd voor dat het apparaat op een vlakke ondergrond staat.

Eenmaal geïnstalleerd, mag dit apparaat nooit worden verplaatst of op zijn rug worden gelegd, zonder dat het water uit de opvangbak en het waterreservoir zijn verwijderd.

Als u het apparaat langer dan 2 weken niet gebruikt, tap dan het water uit de opvangbak en uit het waterreservoir en maak de opvangbak droog.

Het waterreservoir, het deksel van de opvangbak, de tankdop en luchtfilters moeten om de 2 weken worden gereinigd, vooral in gebieden met hard water.

Let op: Gebruikt in een omgeving waar het achtergrondgeluid erg laag is, is het mogelijk dat u een geluid hoort dat gerelateerd is aan het functioneren van het vlammeffect. Dit is normaal en is geen reden tot bezorgdheid.

De opvangbak en het waterreservoir in dit product worden behandeld met een biocide, Silver Biocide, om schadelijke of ongewenste organismen te bestrijden. Dit voldoet aan de nieuwste relevante ISO-norm.

Drink nooit het water uit de opvangbak of uit het waterreservoir(s).

Installatie-instructies

In dit gedeelte wordt beschreven hoe u uw vlam instelt.

VOORDAT U BEGINT

Zorg ervoor dat alle verpakkingen zijn verwijderd zijn (lees de waarschuwingslabels zorgvuldig) en bewaar al het verpakkingsmateriaal voor mogelijk gebruik in de toekomst, bijv. in het geval van verhuizing of het terugsturen van het apparaat naar uw leverancier.

Controleer of de voedingsspanning van het stopcontact overeenkomt met die van het apparaat, voordat u het apparaat aansluit.

INSTALLATIE VAN MEUBELTYPE

De CAS250 is bedoeld voor installatie op meubels - zie fig. 1 voor productafmetingen.

Er moet een vrije ruimte van ten minste 40 cm overblijven tussen het metalen bed en een eventuele plank/afsluiting erboven om de vlammen/rook voldoende ruimte te bieden zich volledig te kunnen ontwikkelen en niet te worden belemmerd.

Er zijn sleuven aan de onderkant van het product die lucht doorlaten, waardoor de rook moeiteloos kan worden afgevoerd en de elektronische componenten ook koel kunnen blijven.

Het product heeft ventilatie vanaf de onder- of aan de achterkant nodig om effectief te kunnen werken.

Een minimum van 100cm² is nodig, voor voorbeelden - zie figuur 1A.

Wanneer het product in het midden van een kamer/hal wordt gezet, kan tocht of voetgangersverkeer dat langs het apparaat gaat invloed hebben op de prestaties van de vlam. Voor deze installaties raden we aan een 4-zijdige glazen lijst te plaatsen die bovenop de tafel/het werkblad/plank staat, rond de uitlaat (metalen bed) - minimale afmeting 33 x 33 cm en 10 cm hoog.

Om het apparaat in een 'werkblad' (of een soortgelijk type plank) te monteren, is een rechthoekig gat nodig om het product op zijn plaats te krijgen. Door een uitsparing toe te voegen, kan het product gelijk vallen met de oppervlak van het werkblad - zie fig. 2.

Het metalen bed kan worden verwijderd om toegang te krijgen tot de bedieningselementen en ook om toegang te krijgen tot het waterreservoir, het mondstuk, de deksel, opvangbak en de omzetter - zie fig. 3. De 24 V-ingangsaansluiting bevindt zich aan de achterkant van het product - verbind de aansluiting van de voedingseenheid met deze ingangsaansluiting - zie fig. 4. Een vrij gat (16-20 mm) is in het meubilair vereist om de leiding van de voedingseenheid doorheen te kunnen monteren. Als alternatief kan het ventilatiegat worden gebruikt. Steek de stekker van het netsnoer in de voedingseenheid (sluit de stekker niet aan op een stopcontact, voordat het apparaat klaar is voor gebruik). Het product kan worden vastgezet door middel van een schroef door de basis of aan twee zijden - zie fig. 5 en 5a. (Bevestigingsschroeven zijn niet inbegrepen.)

De omzettingseenheid aansluiten

1. Til het metalen bed op en plaats het voorzichtig op de tafel/werkblad - zie fig. 3.
3. Verwijder het waterreservoir door het naar boven en naar buiten op te tillen - zie fig. 6.
4. Verwijder de spuitmond door deze los te klippen (1) en naar boven en naar buiten (2) te tillen - zie fig. 7.
5. De omzetter bevindt zich in de opvangbak. Haal hem eruit.

Plaats het lipje van de omzettingseenheid in de gegoten uitsparing in de basis van de opvangbak (1). Zorg ervoor dat de kabel de schijf van de omzetter niet blokkeert. Om te voorkomen dat de kabel bekneld raakt tussen het mondstuk en de opvangbak, plaatst u de kabel door de sleuf in de hoek van de opvangbak (2). - Zie fig. 8.

Het vullen van het waterreservoir

1. Haal het metalen bed en het waterreservoir eruit, zoals hierboven beschreven.
2. Plaats het waterreservoir in de gootsteen en verwijder de dop: draai tegen de klok in om hem te openen - Zie fig. 9.
3. Vul de watertank alleen met **ontkalkt/gefilterd leidingwater**. Dit is noodzakelijk om de levensduur van de vlam- en rookproducerende eenheid te verlengen. Het water moet worden gefilterd door een conventioneel waterfilter en het filter moet regelmatig worden vervangen. Gebruik **GEEN** gedestilleerd water.
4. Schroef de dop er weer op (met de klok mee) - **niet te vast aandraaien**.
5. Plaats het waterreservoir in de opvangbak met de reservoirdop naar beneden gericht en de platte kant van het reservoir naar buiten gericht - zie fig. 10.

Bediening van het product

Dit gedeelte omschrijft hoe u uw kachel met de afstandsbediening of handmatig kunt bedienen. Steek de stekker in het stopcontact (zorg ervoor dat de voedingsspanning overeenkomt met de spanning aangegeven op het apparaat).


HANDMATIGE BEDIENINGSELEMENTEN


De handbedieningselementen bevinden zich onder het metalen bed - zie fig. 11 voor de indeling van de handmatige bediening.


Schakelaar 'A': regelt de stroomtoevoer van het stopcontact naar het apparaat.


Opmerking: De schakelaar moet in de 'AAN' (I) positie staan, voordat de kachel kan functioneren.

BLUE TOOTH (BT) ONTVANGER

Schakelaar 'B': druk eenmaal op  om het vlameffect in te schakelen. De LED's lichten op - het duurt nu nog 45 seconden, voordat het vlameffect begint.

(Knop 'C'  wordt gebruikt om de afstandsbediening te koppelen - zie de sectie Blue Tooth afstandsbediening hieronder.)

Druk op  om de vlam in de stand-by-modus te zetten. Dit wordt aangegeven doordat de LED's uitschakelen.

Knoppen 'D' en 'E': regelen de intensiteit van het vlameffect. 

Druk op knop 'D' om de vlamhoogte te verlagen.

Druk op knop 'E' om de vlamhoogte te verhogen.

Wanneer de vlamhoogte zijn max.- of min.-niveau bereikt, knipperen de LED's één keer.


Geef de vlamgenerator even de tijd om te reageren op de wijzigingen die u aanbrengt.

Het apparaat gebruikt minder water als het vlameffect op een lager niveau staat ingesteld.

De Blue Tooth-ontvanger kan van de locatie worden verwijderd en indien gewenst buiten het product worden geplaatst. Om dit te doen, verwijdert u het metalen bed - zie fig. 3, verwijder het luchtfilter - maak de BT-ontvanger los en voer deze door het inlaatgat van het luchtfilter naar buiten - zie fig. 12. Rol de kabel van onderaf af en monteer de BT-ontvanger waar u dat wenst (kabel lengte vanaf de inlaatopening is 120 cm). Zet het filter en het metalen bed terug.

BLUE TOOTH (BT) AFSTANDSBEDIEING

De afstandsbediening wordt geleverd met 2 AAA-batterijen. Open het batterijklepje aan de onderkant van de afstandsbediening - zie fig. 13 - en plaats - na de batterijen uit de plastic verpakking te hebben gehaald - deze op hun plek. Sluit het batterijklepje.

De afstandsbediening heeft draadloze technologie en moet aan de ontvanger worden gekoppeld. Dit gebeurt door op de  knop (C) op de BT-ontvanger te drukken. De LED's gaan aan en uit knipperen. Dit is om u te laten weten dat het apparaat gereed is om verbinding met de afstandsbediening te maken. Druk op de  knop (B) op de afstandsbediening. Het apparaat zal uitschakelen. Nu is de afstandsbediening aan het apparaat gekoppeld.

De bediening van de afstandsbediening is hetzelfde zoals beschreven in 'Bediening ontvanger'.

Op de afstandsbediening bevinden zich 3 knoppen - zie fig. 14. Om de afstandsbediening goed te laten werken, dient u deze op de voorzijde van het product te richten. De functies van de afstandsbediening werken op dezelfde manier als de handmatige knoppen 'B', 'D' en 'E'.

 Stand-by (B)

 Vlameffect lager (D)

 Vlameffect hoger (E)

Onderhoud

ALGEMENE TIPS

Gebruik in dit apparaat uitsluitend ontkalkt/gefilterd kraanwater.

Zorg er altijd voor dat het apparaat op een vlakke ondergrond staat.

Als u het apparaat langer dan 2 weken niet gebruikt, verwijder het water dan uit de opvangbak en uit het waterreservoir en maak de opvangbak droog.

Eenmaal geïnstalleerd, mag dit apparaat nooit worden verplaatst of op zijn rug worden gelegd, zonder dat het water uit de opvangbak en het waterreservoir zijn verwijderd.

Het apparaat mag nooit worden gebruikt als de LED's niet werken.

VULLEN VAN HET WATERRESERVOIR

Wanneer het waterreservoir moet worden bijgevuld, gaan de LED's en het vlam-/rookeffect uit. (Om aan te geven dat het reservoir moet worden bijgevuld, knipperen de LED's twee keer, ongeveer 15 minuten, voordat de vlam en de rook worden uitgeschakeld.)

1. Til het metalen bed er voorzichtig uit en plaats het voorzichtig op de grond - zie fig. 3.

2. Verwijder het waterreservoir door het naar boven en naar buiten op te tillen - zie fig. 6.

3. Plaats het waterreservoir in de gootsteen en verwijder de dop: draai tegen de klok in om hem te openen - zie fig. 9.

4. Vul het reservoir alleen met **ontkalkt/gefilterd water**. Dit is noodzakelijk om de levensduur van de vlam- en rookproducerende eenheid te verlengen.

Het water moet worden gefilterd door een conventioneel waterfilter en het filter moet regelmatig worden vervangen.

- Schroef de dop er weer op (met de klok mee), **niet te vast aandraaien**.
- Zet het reservoir terug in de opvangbak, met de tankdop naar beneden gericht en - **zie fig. 10** -.
- plaats het bed voorzichtig terug op zijn plek.

REINIGING

Waarschuwing - Zet altijd schakelaar 'A' op de 'UIT'- (0) stand - **zie fig. 11** - en haal de stekker uit het stopcontact alvorens de kachel te reinigen.

We raden u aan de volgende componenten eenmaal per 2 weken te reinigen, vooral in gebieden met hard water: waterreservoir, opvangbak, sproeikop, tankdop en afdichting, luchtfilter.

Gebruik voor algemene reiniging een zachte, schone doek - gebruik nooit schurende schoonmaakmiddelen.

Voor het verwijderen van de opeenhoping van stof of pluus, kan af en toe de zachte opzetborstel van de stofzuiger worden gebruikt.

Waterreservoir

- Til het bed er voorzichtig uit en plaats het voorzichtig op de tafel/werkblad - **zie fig. 3**.
- Verwijder het waterreservoir, zoals eerder beschreven - **zie fig. 6**, plaats hem in de gootsteen, draai de dop tegen de klok in los - **zie fig. 9** en laat hem leeglopen.
- Gebruik de meegeleverde borstel om de binnenkant van de dop voorzichtig af te nemen, waarbij u vooral let op de rubberen ring in de buitenste groef en de middelste rubberen afdichting.
- Doe een kleine hoeveelheid afwasmiddel in het reservoir, plaats de dop terug en schud goed, spoel het reservoir vervolgens uit, totdat alle resten afwasmiddel zijn verdwenen.
- Vul het reservoir alleen met ontkalkt/gefilterd kraanwater, plaats de dop terug (met de klok mee) en **draai niet te strak aan** - - **zie fig. 10**.
- Plaats het metalen bed voorzichtig terug op zijn plek.

Opvangbak

- Til het metalen bed er voorzichtig uit en plaats het voorzichtig op de tafel/werkblad - **zie fig. 3**.
- Zet schakelaar 'A' in de 'UIT'- (0) stand.
- Verwijder het waterreservoir door het naar boven en naar buiten op te tillen - **zie fig. 6**.
- Verwijder de spuitmond door deze los te klippen (1) en naar boven (2) te tillen - **zie fig. 7**.
- Ontkoppel de omzettingseenheid (1) en trek aan de connector onder de LED's (2) - **zie fig. 15**.
- Til de opvangbak voorzichtig op en zorg ervoor dat hij waterpas blijft, zodat u geen water morst. Plaats hem in de gootsteen.
- Til de omzetter eruit en kantel deze voorzichtig, zodat de vloeistof uit de opvangbak kan lopen.
- Doe een kleine hoeveelheid afwasmiddel in de opvangbak en gebruik de meegeleverde borstel om alle oppervlakken in de opvangbak voorzichtig schoon te maken en maak de omzetter voorzichtig schoon, inclusief de metalen schijven in het bovenste ingegroefde oppervlak - **zie fig. 16**.
- Reinig na het afwassen de opvangbak grondig met schoon water en zorg dat er geen afwasmiddelresten achter blijven.
- Reinig het mondstuk met de borstel en spoel het grondig met water uit - **zie fig. 17**.
- Voer de bovenbeschreven stappen in omgekeerde volgorde uit om het geheel weer in elkaar te zetten.

Luchtfilter

- Til het metalen bed er voorzichtig uit en plaats het voorzichtig op de tafel/werkblad - **zie fig. 3**.
- Schuif het luchtfilter voorzichtig omhoog, uit de plastic houder - **zie fig. 12**.
- Spoel zachtjes met water in de gootsteen af en droog af met een theedoek, voordat u het filter terugplaatst.
- Vervang het filter en zorg ervoor dat het grove zwarte filter naar de voorkant van het vuur wijst.
- Plaats het metalen bed voorzichtig terug op zijn plek.

Aanvullende informatie

KLANTENSERVICE

Uw product heeft vanaf de datum van aankoop 2 jaar garantie. Binnen deze periode hebben we de verplichting dit product gratis te repareren of om te wisselen (met uitzondering van de schijf van de omzetter, afhankelijk van beschikbaarheid en regelmatig onderhoud), op voorwaarde dat het product in overeenstemming met deze instructies is geïnstalleerd en wordt gebruikt. Uw rechten volgens deze garantie zijn een aanvulling op uw wettelijke rechten die op hun beurt niet door deze garantie worden beïnvloed.

RECYCLEN



Voor elektrische producten verkocht binnen de Europese Gemeenschap - Aan het einde van de levensduur van elektrische producten mogen ze niet met het huishoudafval worden weggegooid. Recycle alstublieft als daar faciliteiten voor zijn. Raadpleeg uw plaatselijke autoriteit of winkelier voor de recyclerichtlijnen in uw land.

PATENT/PATENTAANVRAAG

Producten van het Optimyst-assortiment worden beschermd door een of meer van de volgende patenten en octrooiaanvragen:

Verenigd Koninkrijk GB 2402206, GB 2460259, GB 2460453, GB 2418014, GB 2465738, GB 2449925, GB 2465537, GB 2455277, GB1020534.2, GB1020537.5, GB1110987.3

Verenigde Staten US 7967690, US 2010299980, US 2011062250, US 2008028648, US 13/167,042
 Rusland RU2008140317
 Europa EP 2029941, EP 2201301, EP 2315976, EP 1787063, EP07723217.1, EP11170434.2, EP 11170435.9
 China CN 101883953, CN 200980128666.2, CN 101057105, CN 101438104
 Australië AU 2009248743, AU 2007224634
 Canada CA 2725214, CA 2579444, CA 2645939
 Internationale patentaanvraag WO 2006027272
 Zuid-Afrika ZA 200808702
 Mexico MX 2008011712
 Korea KR 20080113235
 Japan JP 2009529649
 Brazilië BR P10708894-9
 India IN 4122/KOLNP/2008
 Nieuw-Zeeland NZ 571900

Probleemoplossing

Symptoom	Oorzaak	Corrigerende actie
Het vlameffect start niet.	De stekker is niet aangesloten. Laag waterniveau. Laag-voltageconnector is niet goed aangesloten. (Zie fig. 4.)	Controleer of de stekker correct in het stopcontact zit. Controleer of het waterreservoir vol is en er water in de opvangbak zit. Controleer of de stekkers correct zijn geplaatst. (Zie fig. 4.) Controleer of de netstekker correct is aangesloten.
Het vlameffect is te laag.	Vlameffect is te laag ingesteld. De schijf in de omzetter is mogelijk vuil. De draad van de omzettingseenheid hangt op de schijf.	Verhoog het vlamniveau door op 🔥 (knop 'E') op uw afstandsbediening of ontvanger te drukken. Reinig de schijf met een zachte borstel. Zie 'Onderhoud' voor een stapsgewijze procedure. Leid de draad naar de hoek van de opvangbak en zorg ervoor dat deze in de zijspanning zit die uit de opvangbak komt - controleer de verbinding.
Onaangename geur tijdens gebruik apparaat.	Vies of oud water. Ongefilterd kraanwater gebruikt.	Reinig het apparaat, zoals beschreven bij Onderhoud. Gebruik alleen ontkalkt/gefilterd kraanwater.
Het vlameffect geeft te veel rook.	Instelling vlameffect is te hoog.	Verhoog het vlamniveau door op 🔥 (knop 'D') op uw afstandsbediening of ontvanger te drukken. Geef de vlamgenerator enige tijd om zich aan te passen aan de nieuwe instelling.
Product werkt niet. LED's branden niet.	Het product heeft geen water.	Hervul het waterreservoir.

Introduction

Merci d'avoir choisi ce foyer électrique Dimplex. Veuillez lire soigneusement ce guide d'informations pour pouvoir installer, utiliser et entretenir votre produit en toute sécurité.

Conseils de sécurité importants

Toujours observer des précautions de base en cas d'utilisation d'appareils électriques, afin de réduire le risque d'incendie, de chocs électriques et de blessures personnelles, notamment :

AVERTISSEMENT



Ne pas placer d'équipement ou de vêtements sur l'appareil, ni obstruer la circulation d'air autour de l'appareil. L'appareil porte le symbole d'avertissement indiquant qu'il ne doit pas être couvert.

DOMMAGE

Si l'appareil est endommagé, vérifier auprès du fournisseur avant son installation et fonctionnement. Si le cordon d'alimentation est endommagé, il doit être remplacé par le fabricant ou l'agent de service, ou par une personne pareillement qualifiée afin d'éviter tout danger.

EMPLACEMENT

Ne pas utiliser à proximité immédiate d'une baignoire, douche ou piscine. Ne pas situer l'appareil immédiatement en dessous d'une prise fixe ou d'un boîtier de raccordement. Veiller à ce que les meubles, rideaux ou autres matériaux combustibles soient placés au plus près à 1 mètre de l'appareil.

POSITIONNEMENT DE LA PRISE

L'appareil doit être placé de manière à pouvoir accéder à la prise. Tenir le cordon d'alimentation éloigné de la façade de l'appareil.

DÉBRANCHEMENT

En cas de panne, débrancher l'appareil. Débrancher l'appareil s'il n'est pas utilisé sur une longue période.

PROPRIÉTAIRE / UTILISATEUR

Cet appareil peut être utilisé par les enfants d'au moins 8 ans et par les personnes ayant des capacités physiques, sensorielles ou mentales réduites ou faisant preuve de manque d'expérience et de connaissances uniquement si elles font l'objet d'une supervision ou ont reçu des instructions concernant l'usage de l'appareil de manière sûre, et si elles comprennent les dangers que cela implique. Les enfants ne doivent pas jouer avec l'appareil. Son nettoyage et son entretien ne doivent pas être effectués par des enfants laissés sans surveillance.

Les enfants de moins de 3 ans doivent être tenus éloignés, à moins d'être continuellement supervisés. Les enfants âgés de 3 ans et plus et de moins de 8 ans peuvent uniquement allumer/éteindre l'appareil, pourvu qu'il soit placé ou installé dans sa position d'utilisation normale, qu'ils bénéficient d'une surveillance ou d'instructions quant à l'utilisation de l'appareil de façon sécurisée et qu'ils comprennent les risques encourus. Les enfants âgés entre 3 et 8 ans ne doivent pas brancher, régler ni nettoyer l'appareil ou effectuer son entretien.

ÉLECTRICITÉ

Cet appareil doit être utilisé en courant alternatif uniquement et la tension d'alimentation du secteur doit correspondre à celle indiquée sur l'appareil. Avant d'allumer l'appareil, veuillez lire les avertissements de sécurité et les instructions d'utilisation. Remarque : Cet appareil ne doit être utilisé qu'avec le bloc d'alimentation électrique fourni.

Branchez uniquement cet appareil à une alimentation électrique correspondant à celle mentionnée sur l'étiquette du bloc d'alimentation. L'appareil ne doit être alimenté qu'à très basse tension, en fonction des marquages apposés sur l'appareil.

ATTENTION — Des pièces internes de ce produit peuvent devenir très chaudes et provoquer des brûlures. Une attention particulière

doit être accordée lors de la présence des enfants et personnes vulnérables.

AVERTISSEMENT - Afin d'éviter la surchauffe, ne pas couvrir l'appareil.

ALIMENTATION

Ce modèle ne doit être utilisé qu'avec l'alimentation fournie. Si vous devez la changer, veuillez contacter le magasin où vous l'avez achetée.

Informations générales

N'utilisez que de l'eau filtrée ou décalcifiée dans cet appareil.

Cet appareil est conçu pour être fixé sur un dessus de table, un plan de travail ou du mobilier.

Assurez-vous toujours que l'appareil est placé sur une surface plane.

Une fois installé, l'appareil ne doit ni être déplacé ni posé à l'envers sans vidanger l'eau du bac et du réservoir.

Si vous prévoyez de ne pas utiliser l'appareil pendant plus de deux semaines, vidangez l'eau du bac et du réservoir et séchez le bac.

Le réservoir d'eau, le bac, le couvercle du bac, le bouchon du réservoir et les filtres à air doivent être nettoyés toutes les deux semaines, en particulier dans les zones d'eau dure.

Remarque : L'effet flamme s'accompagne d'un son audible dans un environnement silencieux. C'est normal et cela ne doit pas susciter d'inquiétudes.

Le bac et le réservoir d'eau de cet appareil sont traités avec un produit biocide, Silver Biocide, afin de contrôler les organismes nuisibles ou indésirables. Ce produit est conforme à la toute dernière norme ISO pertinente.

Ne buvez pas l'eau du bac ou du réservoir.

Instructions d'installation

Cette section décrit comment configurer votre foyer.

AVANT DE COMMENCER

Assurez-vous que tous les éléments d'emballage sont retirés (lisez attentivement toutes les étiquettes d'avertissement) et conservez tous les emballages pour une utilisation future possible, par ex. en cas de déménagement ou de restitution de l'appareil à votre fournisseur.

Avant de brancher le foyer à la prise secteur, vérifiez que la tension d'alimentation est la même que celle indiquée sur celui-ci.

INSTALLATION SUR DU MOBILIER

Le CAS250 est conçu pour être utilisé sur du mobilier - **voir Fig. 1** pour les dimensions du produit.

Un dégagement d'au moins 40 cm doit être laissé entre le support métallique et toute étagère/enceinte située au-dessus, afin de laisser suffisamment d'espace pour que les flammes/la vapeur se forment complètement et ne pas être obstrués.

Des fentes sont présentes à la base du produit pour permettre à l'air de circuler, et aider la vapeur à s'évacuer facilement ainsi que pour garder les composants électroniques au frais.

Le produit doit être aéré par en dessous ou par l'arrière pour fonctionner efficacement.

Un minimum de 100cm² est nécessaire, pour les exemples, voir Fig. 1A.

Lorsque le produit est laissé au centre d'une pièce ou d'un couloir, les courants d'air ou la circulation des personnes passant devant l'appareil peut avoir des conséquences pour la performance de la flamme. Pour les installations comme celles-ci, nous vous recommandons de mettre une enceinte en verre à 4 faces sur la table, le plan de travail ou l'étagère autour de l'évacuation (support métallique) de 33x33x10cm de hauteur minimum.

Pour monter l'appareil sur un « plan de travail » ou une étagère de même type, un orifice rectangulaire est nécessaire pour permettre de déposer le produit. L'ajout d'une cavité permet de mettre le produit au même niveau/niveau affleurant que le plan de travail - **voir Fig. 2.**

Le support métallique est amovible pour permettre l'accès aux commandes ainsi que l'accès au réservoir d'eau, au couvercle de la buse, au bac et transducteur - **voir Fig. 3.** Le raccordement d'entrée de 24 V est à l'arrière du produit : raccorder la prise jack de l'unité d'alimentation électrique à la prise d'entrée - **voir Fig. 4.** Un dégagement (16-20 mm) est requis dans le mobilier, pour permettre d'installer le câble d'alimentation électrique. Il est possible d'utiliser le trou de ventilation à la place. Insérez la prise jack du câble secteur dans le bloc d'alimentation (Ne pas connecter la prise secteur à une prise de courant tant que l'appareil n'est pas fonctionnel). Le produit peut être fixé en fixant une vis dans la base ou sur les deux côtés - **voir Fig. 5 et 5a.** (les vis de fixation ne sont pas fournies).

Connexion du transducteur :

1. Soulevez le support métallique et placez-le soigneusement sur la table/le plan de travail - **voir Fig. 3.**
3. Retirez le réservoir d'eau en le soulevant et en le tirant vers l'extérieur - **voir Fig. 6.**
4. Retirez la buse en la détachant (1), puis en la soulevant et en la tirant vers l'extérieur (2) - **voir Fig. 7.**
5. Le transducteur est à l'intérieur du bac. Retirez-le de son sac.

Localisez la languette sur le transducteur dans la cavité moulée de la base du bac (1). Assurez-vous que le câble n'obstrue pas le disque du transducteur. Pour éviter que le câble ne se coince entre la buse et le bac, veillez à ce qu'il sorte par la fente sur le coin du bac (2). - **voir Fig. 8.**

Remplir le réservoir d'eau :

1. Soulevez le support métallique et réservoir d'eau, comme décrit ci-avant.
2. Placez le réservoir d'eau dans l'évier et retirez le bouchon en le dévissant dans le sens inverse des aiguilles d'une montre pour l'ouvrir - **voir Fig. 9.**
3. Remplissez le réservoir avec **de l'eau du robinet filtrée/décalcifiée uniquement.** Cela est nécessaire pour prolonger la durée de vie de l'appareil générateur de flamme et de fumée. L'eau doit être filtrée avec un filtre à eau domestique conventionnel et le filtre doit être remplacé régulièrement. De l'eau distillée ne doit **PAS** être utilisée
4. Revissez le bouchon (dans le sens des aiguilles d'une montre) - **ne le serrez pas trop.**
5. Remettez le réservoir d'eau dans le bac, avec le bouchon du réservoir vers le bas et le côté plat du réservoir vers l'extérieur - **voir Fig. 10.**

Fonctionnement du produit

Cette section décrit comment activer votre foyer en utilisant soit la télécommande, soit les commandes manuelles. Insérez la prise secteur dans la prise de courant (veillez à ce que la tension d'alimentation corresponde à la tension indiquée sur l'appareil).


COMMANDES MANUELLES


Les commandes manuelles sont situées en dessous du support métallique - voir Fig. 11. pour la disposition de la commande manuelle.


Interrupteur « A » : - Commande l'alimentation électrique du bloc d'alimentation au foyer.


Remarque : cet interrupteur doit être sur la position « MARCHE » (I) pour que le foyer fonctionne.

RÉCEPTEUR BLUETOOTH (BT)

Commutateur « B » : - Appuyez  une fois pour allumer l'effet de flamme. Bien que les voyants DEL fonctionnent immédiatement, il faudra encore 45 secondes avant que l'effet de flamme ne commence.

(Le bouton « C »  sert à appairer la télécommande - voir la section Télécommande Bluetooth ci-dessous)

Appuyez  pour mettre le foyer en mode veille. Ce sera indiqué par le voyant DEL qui s'éteint.

Boutons « D » et « E » :- Contrôlez l'intensité de l'effet de flamme. 

Appuyez sur le bouton « D » pour diminuer la hauteur de la flamme.

Appuyez sur le bouton « E » pour augmenter la hauteur de la flamme.



Lorsque la hauteur de la flamme atteint le niveau max. ou min. les LED clignoteront une fois.

Donnez au générateur de flammes quelques secondes pour réagir aux changements que vous pourriez faire.

Le foyer utilisera moins d'eau si l'effet de flamme est réglé à un niveau inférieur.

Le récepteur Bluetooth peut être retiré de son emplacement et retiré du produit, si désiré. Pour cela, retirez le support métallique - voir Fig. 3, retirez le filtre à air - Décrochez le récepteur Bluetooth et faites-le passer par l'orifice d'entrée du filtre à air - voir Fig. 12. Déroulez le câble par en dessous et fixez le récepteur BT là où c'est souhaité (la longueur du câble depuis l'orifice d'entrée est de 120 cm). Remettez le filtre et le support métallique.

TÉLÉCOMMANDE BLUETOOTH (BT)


La télécommande est fournie avec 2 piles AAA. Retirez le couvercle du compartiment à piles sur le revers de la télécommande - voir Fig. 13. et après avoir retiré les piles de l'emballage plastique, insérez-les. Remettez le couvercle. La télécommande fonctionne sans fil et doit être appairée au récepteur. Pour ce faire, il suffit d'appuyer sur le  bouton (C) du récepteur Bluetooth. Le voyant DEL commence à clignoter. C'est pour vous indiquer que l'appareil est prêt à être connecté à la télécommande. Appuyez sur le  bouton (B) de la télécommande. L'appareil s'éteint. La télécommande peut maintenant être appairée à l'appareil.

Le fonctionnement de la télécommande est le même que décrit dans « Commandes du récepteur ».

Il y a 3 boutons sur la télécommande - voir Fig. 14. Pour qu'elle fonctionne correctement, la télécommande doit être pointée vers le produit. Les fonctions de la télécommande fonctionnent de la même manière que les boutons manuels « B », « D » et « E ».

 Veille (B)

 Réduction de la flamme (D)

 Augmentation de la flamme (E)

Entretien

CONSEILS GÉNÉRAUX

N'utilisez que de l'eau du robinet filtrée ou décalcifiée dans cet appareil.

Assurez-vous toujours que l'appareil est placé sur une surface plane.

Si vous prévoyez de ne pas utiliser l'appareil pendant plus de deux semaines, vidangez l'eau du bac et du réservoir.

Une fois installé, l'appareil ne doit ni être déplacé ni posé à l'envers sans vidanger l'eau du bac et du réservoir.

L'appareil ne doit jamais être utilisé si les voyants DEL ne fonctionnent pas.

REEMPLIR LE RÉSERVOIR D'EAU

Lorsqu'il est temps de remplir à nouveau le réservoir d'eau, l'effet de flamme/fumée s'éteint. (Pour indiquer quand le réservoir a besoin d'être rempli à nouveau, le voyant DEL clignote deux fois, environ 15 minutes avant l'extinction de l'effet flamme/fumée)

1. Soulevez le support métallique et placez-le soigneusement sur la table/le plan de travail - voir Fig. 3.

2. Retirez le réservoir d'eau en le soulevant et en le tirant vers l'extérieur - voir Fig. 6.

3. Placez le réservoir d'eau dans l'évier et retirez le bouchon dans le sens inverse des aiguilles d'une montre pour l'ouvrir - voir Fig. 9.

4. Remplir le réservoir avec **de l'eau filtrée/décalcifiée uniquement**. Ceci est nécessaire pour prolonger la durée de vie de l'unité de production de la flamme et de la fumée.
L'eau doit être filtrée avec un filtre à eau domestique conventionnel et le filtre doit être remplacé régulièrement.
5. Revissez le bouchon (dans le sens des aiguilles d'une montre), **ne le serrez pas trop**.
6. Remettez le réservoir dans le bac, avec le bouchon du réservoir vers le bas et - **voir Fig. 10**.
7. Remettez délicatement le support métallique en place.

NETTOYAGE

Avertissement – Toujours placer l'interrupteur A à la position « OFF » (0) - **voir Fig. 11**. et déconnecter de l'alimentation électrique avant de nettoyer le foyer.

Nous recommandons de nettoyer les composants suivants une fois toutes les 2 semaines, en particulier dans les zones d'eau dure :- Réservoir d'eau, bac, buse, bouchon de réservoir et joint, filtre à air.

Pour un nettoyage général, utiliser un chiffon de dépoussiérage propre. Ne jamais utiliser de produits nettoyants abrasifs. Utiliser la brosse souple d'un aspirateur de temps à autre pour éliminer la poussière et les peluches qui se sont accumulées.

Réservoir d'eau

1. Soulevez le support métallique et placez-le soigneusement sur la table/le plan de travail - **voir Fig. 3**.
2. Retirez le réservoir d'eau, comme décrit plus tôt - **voir Fig. 6**, mettez-le dans l'évier, dévissez le bouchon dans le sens inverse des aiguilles d'une montre - **voir Fig. 9**. et videz l'eau.
3. À l'aide de la brosse fournie, frottez doucement les surfaces intérieures du capuchon en portant une attention particulière à la bague en caoutchouc dans la rainure extérieure et au joint central en caoutchouc.
4. Mettez une petite quantité de liquide de vaisselle dans le réservoir, remettez le bouchon et secouez bien, rincez jusqu'à ce que toute trace de liquide vaisselle soit partie.
5. Remplissez avec de l'eau du robinet décalcifiée/filtrée uniquement, remettez le bouchon (dans le sens des aiguilles d'une montre), **ne serrez pas trop** - **voir Fig. 10**.
6. Remettez délicatement le support métallique en place.

Bac

1. Soulevez le support métallique et placez-le soigneusement sur la table/le plan de travail - **voir Fig. 3**.
2. Placez l'interrupteur « A » à la position « OFF » (0) -
3. Retirez le réservoir d'eau en le soulevant et en le tirant vers l'extérieur - **voir Fig. 6**.
4. Retirez la buse en la détachant (1) et en la soulevant (2) - **voir Fig. 7**.
5. Débranchez le transducteur (1) et faites passer/tirez le connecteur en dessous des voyants DEL (2) - **voir Fig. 15**.
6. Soulevez doucement le bac, en prenant soin de garder le niveau afin de ne pas renverser de l'eau. Placez l'assemblage dans l'évier.
7. Soulevez le transducteur et inclinez-le soigneusement pour que le liquide s'écoule du bac.
8. Mettez une petite quantité de liquide de vaisselle dans le bac et, à l'aide de la brosse fournie, nettoyez délicatement toutes les surfaces du bac et nettoyez délicatement le transducteur, y compris les disques métalliques situés sur la surface rainurée supérieure - **voir Fig. 16**.
10. Une fois nettoyé, rincez soigneusement le bac avec de l'eau propre pour enlever toute trace de liquide vaisselle.
11. Nettoyez la buse avec la brosse et rincez abondamment à l'eau. **voir Fig. 17**.
12. Inversez les étapes ci-dessus pour réassembler.

Filtre à air

1. Soulevez le support métallique et placez-le soigneusement sur la table/le plan de travail - **voir Fig. 3**.
2. Faites glisser délicatement le filtre à air vers le haut hors de son support en plastique - **voir Fig. 12**.
3. Rincez doucement avec de l'eau dans l'évier et séchez avec une serviette en tissu avant de retourner.
4. Remplacez le filtre en vous assurant que le filtre noir est bien en contact avec le support en plastique.
5. Remettez délicatement le support métallique en place.

Informations supplémentaires

SERVICE APRÈS-VENTE

Votre produit est garanti 2 ans à compter de la date d'achat. Dans ces délais, nous nous engageons à réparer ou échanger le produit gratuitement (à l'exclusion du disque de transducteur et sous réserve de disponibilité et d'un entretien régulier tout au long de sa vie) pourvu que son installation et fonctionnement ont été conformes aux présentes instructions. Vos droits en vertu de la présente garantie sont complémentaires à vos droits statutaires, lesquels ne sont pas affectés par la présente garantie.

RECYCLAGE



Concernant les produits électriques vendus au sein de la Communauté européenne - À la fin de la vie utile des produits électriques ils ne doivent pas être mis au rebus avec les déchets domestiques. Veuillez recycler dans les centres existants. Vérifiez auprès de votre autorité locale ou distributeur pour les recommandations de recyclage dans votre pays.

BREVET / DEMANDE DE BREVET

Les produits de la gamme Optimyst sont protégés par un ou plusieurs des brevets et demandes de brevet suivants :

Grande Bretagne GB 2402206, GB 2460259, GB 2460453, GB 2418014, GB 2465738, GB 2449925, GB 2465537, GB 2455277, GB1020534.2, GB1020537.5, GB1110987.3

États-Unis US 7967690, US 2010299980, US 2011062250, US 2008028648, US 13/167,042

Russie RU2008140317

Europe EP 2029941, EP 2201301, EP 2315976, EP 1787063, EP07723217.1, EP11170434.2, EP 11170435.9

Chine CN 101883953, CN 200980128666.2, CN 101057105, CN 101438104

Australie AU 2009248743, AU 2007224634

Canada CA 2725214, CA 2579444, CA 2645939

Demande de brevet international WO 2006027272

Afrique du Sud ZA 200808702

Mexique MX 2008011712

Corée KR 20080113235



Japon JP 2009529649

Brésil BR P10708894-9

Inde IN 4122/KOLNP/2008

Nouvelle Zélande NZ 571900

Dépannage

Symptôme	Cause	Action corrective
L'effet de flamme ne démarre pas.	La prise secteur n'est pas branchée. Niveau d'eau bas. Le connecteur basse tension n'est pas connecté correctement. (Voir Fig. 4)	Vérifiez que la fiche est correctement branchée à la prise murale. Vérifiez que le réservoir d'eau est plein et qu'il y a de l'eau dans le bac. Vérifiez que les connecteurs sont correctement insérés. (Voir Fig. 4) Vérifiez que la prise secteur est correctement insérée.
L'effet de flamme est trop faible.	L'effet de flamme est réglé trop bas. Le disque dans le transducteur est peut-être sale Le fil du transducteur est posé sur le disque	Augmentez le niveau de flamme en appuyant sur  (touche « E ») de la télécommande ou du récepteur. Nettoyez le disque à l'aide d'une brosse souple. Voir « Entretien » pour une procédure étape par étape. Guidez le fil vers le coin du bac et veillez à ce qu'il soit placé dans la fente de sortie du bac - vérifiez la connexion.
Une odeur désagréable se dégage lorsque l'appareil est utilisé.	Eau sale ou viciée. Utilisation de l'eau du robinet non filtrée.	Nettoyez l'unité comme décrit dans la section sur l'entretien. Utilisez uniquement de l'eau du robinet filtrée ou décalcifiée.
L'effet de flamme donne trop de fumée.	Le réglage de l'effet de flamme est trop élevé.	Augmentez le niveau de flamme en appuyant sur  (touche « D ») de la télécommande ou du récepteur. Donnez au générateur de flamme un peu de temps pour s'ajuster au nouveau réglage.
Le produit ne fonctionne pas. Les voyants DEL sont éteints.	Il n'y a pas d'eau dans le produit	Remplir le réservoir d'eau.

Introduzione

Grazie per aver scelto una stufa elettrica Dimplex. Leggere attentamente le informazioni riportate in questa guida al fine di installare, utilizzare e mantenere il prodotto in modo sicuro.

Importante avviso di sicurezza

Quando si utilizzano apparecchiature elettriche, è necessario attenersi sempre alle precauzioni fondamentali per ridurre i rischi di incendio, scossa elettrica e lesioni personali, compreso quanto segue:

AVVERTENZA



Non collocare materiale o vestiti sull'apparecchiatura né ostruire la circolazione dell'aria attorno all'apparecchiatura.

L'apparecchiatura riporta il Simbolo di avvertenza che indica che non deve essere coperta.

DANNI

Se l'apparecchiatura è danneggiata, consultare il fornitore prima dell'installazione e l'utilizzo.

Se il cavo di alimentazione è danneggiato, deve essere sostituito dal produttore o dall'addetto all'assistenza o comunque da personale qualificato al fine di evitare qualsiasi pericolo.

UBICAZIONE

Non utilizzare nelle immediate vicinanze di bagni, docce o piscine.

Non collocare la stufa immediatamente sotto una presa di rete o scatola di connessione.

Accertarsi che mobili, tende o altri materiali infiammabili siano posizionati almeno a 1 metro di distanza dall'apparecchiatura.

POSIZIONAMENTO DELLA PRESA

L'apparecchiatura deve essere posizionata in modo tale che la presa di rete risulti accessibile.

Tenere il cavo di alimentazione lontano dalla parte anteriore dell'apparecchiatura.

SCOLLEGAMENTO

In caso di guasto, scollegare l'apparecchiatura dalla presa di rete.

Scollegare l'apparecchiatura se non la si utilizza per lunghi periodi.

PROPRIETARIO/UTENTE

Questa apparecchiatura può essere utilizzata dai bambini a partire dagli 8 anni di età e dalle persone con abilità fisiche, sensoriali o mentali ridotte o prive di esperienza e conoscenze se supervisionati o istruiti sull'uso sicuro dell'apparecchiatura e se sono consapevoli dei pericoli connessi. I bambini non devono giocare con l'apparecchiatura. Gli interventi di pulizia e manutenzione non devono essere eseguiti dai bambini in assenza di supervisione.

I bambini di età inferiore ai 3 anni devono essere tenuti lontani, a meno che non siano costantemente sorvegliati.

I bambini di età compresa fra i 3 e gli 8 anni possono soltanto accendere/spegnere l'apparecchiatura, a condizione che siano supervisionati o che siano state fornite loro le istruzioni riguardanti l'uso sicuro dell'apparecchiatura e siano consapevoli dei pericoli connessi e che l'apparecchiatura sia collocata o installata nella normale posizione di funzionamento. I bambini di età compresa fra i 3 e gli 8 anni non devono collegare, regolare e pulire l'apparecchiatura o eseguire gli interventi di manutenzione effettuabili dall'utente.

ELETTRICITÀ

Questa apparecchiatura deve essere utilizzata esclusivamente con alimentazione CA ~ e la tensione riportata sulla stessa deve corrispondere a quella dell'alimentazione di rete. Prima di accendere l'apparecchiatura, leggere attentamente le avvertenze di sicurezza e le istruzioni d'uso.

Nota: questo apparecchio deve essere utilizzato esclusivamente con l'alimentatore fornito in dotazione.

Collegare l'apparecchio solo ad un'alimentazione che corrisponda a quella indicata sull'unità di alimentazione.

L'apparecchio deve essere alimentato unicamente a una tensione molto bassa corrispondente alle indicazioni riportate sull'apparecchio stesso.

ATTENZIONE: Alcune parti interne del prodotto potrebbero riscaldarsi e provocare bruciate. È necessario prestare particolare attenzione

in presenza di bambini o persone vulnerabili.

AVVERTENZA: Per evitare il surriscaldamento, non coprire l'apparecchiatura.

ALIMENTAZIONE

Questo modello dev'essere utilizzato esclusivamente con il cavo di alimentazione in dotazione. In caso fosse necessaria una sostituzione, contattare il luogo di acquisto.

Informazioni generali

Utilizzare esclusivamente acqua decalcificata/filtrata all'interno dell'apparecchiatura.

L'apparecchiatura è progettata per il montaggio su tavoli, piani di lavoro o mobili.

Assicurarsi sempre che l'apparecchiatura si trovi su una superficie piana.

Una volta installata, non spostare l'apparecchiatura e non poggiarla sul lato posteriore senza aver prima scaricato l'acqua dalla vaschetta e dal serbatoio.

Se non si intende utilizzare l'apparecchiatura per un periodo superiore alle due settimane, scaricare l'acqua dalla vaschetta e dal serbatoio dell'acqua e asciugare la vaschetta.

Il serbatoio dell'acqua, la vaschetta, il coperchio della vaschetta e i filtri dell'aria devono essere puliti ogni due settimane, in particolar modo nelle aree in cui l'acqua è dura.

Nota: Se si utilizza l'apparecchiatura in un ambiente pressoché privo di rumore di fondo, è possibile avvertire un suono connesso al funzionamento dell'effetto fiamma. Ciò è normale e non deve destare preoccupazione.

La vaschetta e il serbatoio dell'acqua di questo prodotto sono trattati con un prodotto biocida, Biocida Argento, per tenere sotto controllo la proliferazione di organismi nocivi indesiderati. Ciò in conformità al più recente standard ISO pertinente.

Non bere l'acqua della vaschetta o del serbatoio dell'acqua.

Istruzioni per l'installazione

Questa sezione descrive come predisporre la stufa.

PRIMA DI INIZIARE

Accertarsi che tutti gli elementi di imballaggio siano rimossi (leggere attentamente tutte le etichette di avvertenza) e conservare la confezione per uso futuro (ad esempio, in caso di trasloco o di restituzione dell'apparecchiatura al fornitore). Prima di collegare l'apparecchiatura, verificare che la tensione di rete corrisponda a quella riportata sulla stufa.

INSTALLAZIONE NEI MOBILI

L'apparecchiatura CAS250 è progettata per l'installazione nei mobili - **vedere Fig. 1** per le dimensioni del prodotto. È necessario lasciare uno spazio minimo di 40 cm tra il fondo di metallo e gli eventuali ripiani/alloggiamenti situati sopra di esso, in modo che ci sia spazio sufficiente per la formazione completa delle fiamme/condensa, senza alcun tipo di ostruzione.

Alla base del prodotto ci sono delle fessure che consentono la circolazione dell'aria, favorendo la dispersione della condensa e contribuendo a mantenere al fresco i componenti elettronici.

Per funzionare in modo efficace, il prodotto deve ricevere ventilazione dal basso o dal retro.

Bisogna lasciare almeno 100cm² vedere Fig. 1A per degli esempi.

Quando il prodotto viene collocato nel centro di una stanza/sala, le correnti d'aria o il traffico pedonale in prossimità dell'apparecchiatura possono influire sulle prestazioni della fiamma. Per questo tipo di installazioni, consigliamo di inserire un bordo in vetro a 4 lati, poggiato sulla parte superiore del tavolo/piano di lavoro/ripiano, attorno allo sbocco (fondo di metallo), dalle dimensioni minime di 33 x 33 x 10 cm.

Per montare l'apparecchio in un "piano di lavoro" (o un ripiano simile), è necessario un foro rettangolare per consentire il posizionamento del prodotto. L'aggiunta di una rientranza consente al prodotto di essere "a filo"/livellato con il piano di lavoro, **vedere Fig. 2**.

Il fondo di metallo è rimovibile per consentire l'accesso ai comandi e al serbatoio dell'acqua, al coperchio della bocchetta, alla vaschetta e al trasduttore, **vedere Fig. 3**. La connessione di alimentazione 24 V è sul retro del prodotto: collegare il jack dall'alimentatore a questa presa di ingresso, **vedere Fig. 4**. È necessario un foro passante (16-20 mm) nel mobile, per consentire l'installazione del cavo dell'alimentatore. In alternativa, è possibile usare il foro di ventilazione. Inserire il jack dal cavo di alimentazione all'alimentatore (non collegare la spina di alimentazione a una presa finché l'apparecchio non è pronto per il funzionamento). Il prodotto può essere fissato mediante fissaggio a vite attraverso la base o sui 2 lati, **vedere Fig. 5 e 5a**. (le viti di fissaggio non sono incluse).

Collegamento dell'unità trasduttore:

1. Sollevare il fondo di metallo e posizionare con attenzione nel tavolo/piano di lavoro - **vedere Fig. 3**.
3. Rimuovere il serbatoio dell'acqua sollevandolo ed estraendolo, **vedere Fig. 6**.
4. Rimuovere la bocchetta sganciandola (1) e sollevandola verso l'alto ed estraendola (2), **vedere Fig. 7**.
5. Il trasduttore si trova all'interno della vaschetta. Rimuoverlo dal sacchetto.

Localizzare la linguetta sull'unità del Trasduttore nel vano stampato sulla base della vaschetta (1). Assicurarsi che il cavo non ostruisca il disco del Trasduttore. Per evitare che il cavo venga schiacciato tra la bocchetta e la vaschetta, posizionare il cavo nella fessura all'angolo della vaschetta (2) - **vedere Fig. 8**.

Riempimento del serbatoio dell'acqua:

1. Sollevare il fondo di metallo e il serbatoio dell'acqua come descritto in precedenza.
2. Posizionare il serbatoio dell'acqua nel lavandino e rimuovere il tappo, girandolo in senso antiorario per aprire, **vedere Fig. 9**.
3. Riempire il serbatoio esclusivamente con **acqua di rubinetto decalcificata/filtrata**. Ciò è necessario per prolungare il ciclo di vita utile dell'unità dell'effetto fiamma e fumo. L'acqua deve essere filtrata con un filtro dell'acqua domestico tradizionale, da sostituire periodicamente. **NON** utilizzare acqua distillata.
4. Rimettere il tappo girando in senso orario, **senza stringerlo eccessivamente**.
5. Collocare il serbatoio dell'acqua nella vaschetta, con il tappo rivolto verso il basso e il lato piatto del serbatoio rivolto verso l'esterno, **vedere Fig. 10**.

Utilizzo del prodotto

Questa sezione descrive come attivare la stufa mediante i comandi manuali o il telecomando. Inserire la spina di alimentazione nella presa (verificare che la tensione di rete corrisponda a quella riportata sulla stufa).


COMANDI MANUALI

I comandi manuali sono situati sotto il fondo di metallo, **vedere Fig. 11** per la disposizione dei comandi manuali.

Interruttore "A": controlla l'alimentazione elettrica dall'alimentatore alla stufa.


Nota: L'interruttore deve trovarsi nella posizione "ON" (I) per consentire il funzionamento della stufa.

RICEVITORE BLUETOOTH (BT)

Tasto "B": premerlo  una volta per attivare l'effetto fiamma. I LED si accendono: serviranno altri 45 secondi prima dell'avvio dell'effetto fiamma.

(Il tasto "C"  serve per associare il telecomando, consultare la sezione successiva Telecomando Bluetooth)

Premere  per attivare la modalità stand-by. Questa sarà indicata dai LED spenti.

Tasti "D" ed "E": Controllano l'intensità dell'effetto fiamma. 

Premere il tasto "D" per diminuire l'altezza della fiamma.

Premere il tasto "E" per aumentare l'altezza della fiamma.

Quando l'altezza della fiamma raggiunge il massimo o il minimo, il LED lampeggerà una volta.



Lasciare al generatore di fiamma qualche secondo per adeguarsi alle modifiche apportate.

L'apparecchiatura consuma meno acqua se l'effetto fiamma viene impostato su un livello basso.

Il ricevitore Bluetooth può essere tolto dalla sua posizione e collocato all'esterno del prodotto, se così si preferisce. Per fare questo, rimuovere il fondo di metallo, **vedere Fig. 3**, rimuovere il filtro dell'aria; sganciare il ricevitore BT e farlo passare attraverso il foro d'ingresso del filtro dell'aria, **vedere Fig. 12**. Srotolare il cavo da sotto e montare il ricevitore BT dove desiderato (la lunghezza del cavo dal foro d'ingresso è 120 cm). Rimontare il filtro e il fondo di metallo.

TELECOMANDO BLUETOOTH (BT)

Il telecomando è fornito con 2 batterie di tipo AAA. Rimuovere il coperchio del vano bat dal lato inferiore del telecomando, **vedere Fig. 13** e, dopo aver tolto le batterie dall'involucro in plastica, inserirle nel vano. Chiudere il coperchio del vano batterie.

Il telecomando è dotato di tecnologia wireless e deve essere associato al ricevitore. Tale operazione si effettua premendo  il tasto (C) nel ricevitore BT. I LED inizieranno ad accendersi e spegnersi. Ciò significa che l'apparecchiatura è pronta per connettersi al telecomando. Premere  il tasto (B) nel telecomando. L'apparecchiatura si spegne Adesso il telecomando è associato all'apparecchiatura.

Il funzionamento del telecomando è lo stesso descritto nella sezione "Comandi del ricevitore".

Ci sono 3 tasti sul telecomando, **vedere Fig. 14**. Per funzionare correttamente, il telecomando deve essere puntato verso il prodotto. Il telecomando funziona nello stesso modo dei tasti manuali "B", "D" ed "E".

 Standby (B)

 Riduzione della fiamma (D)

 Aumento della fiamma (E)

Manutenzione

SUGGERIMENTI GENERALI

Utilizzare esclusivamente acqua di rubinetto decalcificata/filtrata per questa apparecchiatura.

Assicurarsi sempre che l'apparecchiatura si trovi su una superficie piana.

Se non si intende utilizzare l'apparecchiatura per un periodo superiore alle 2 settimane, rimuovere e svuotare la vaschetta e il serbatoio dell'acqua.

Una volta installata, non spostare l'apparecchiatura e non poggiarla sul lato posteriore senza aver prima scaricato l'acqua dalla vaschetta e dal serbatoio.

L'apparecchiatura non deve essere mai utilizzata se i LED non funzionano.

RIEMPIMENTO DEL SERBATOIO

Quando il serbatoio dell'acqua deve essere riempito, i LED e l'effetto fiamma/fumo si spengono (per indicare quando il serbatoio dell'acqua deve essere riempito, i LED lampeggiano due volte circa 15 minuti prima dello spegnimento dell'effetto fiamma/fumo).

1. Sollevare il fondo di metallo e posizionarlo con attenzione nel tavolo/piano di lavoro, **vedere Fig. 3**.

2. Rimuovere il serbatoio dell'acqua sollevandolo ed estraendolo, **vedere Fig. 6**.

3. Posizionare il serbatoio dell'acqua nel lavandino e rimuovere il tappo, girandolo in senso antiorario per aprire, **vedere Fig. 9**.

4. Riempire il serbatoio esclusivamente con **acqua decalcificata/filtrata**. Ciò è necessario per prolungare il ciclo di

vita utile dell'unità di produzione di fiamma e fumo.

L'acqua deve essere filtrata con un filtro dell'acqua domestico tradizionale, da sostituire periodicamente.

5. Rimettere il tappo girando in senso orario, **senza stringerlo eccessivamente**.
6. Rimettere il serbatoio nella vaschetta, con il tappo del serbatoio rivolto verso il basso, **vedere Fig. 10**.
7. Riposizionare delicatamente il fondo di metallo.

PULIZIA

Avvertenza – Portare sempre l'interruttore "A" in posizione "OFF" (0), **vedere Fig. 11** e scollegare l'unità dall'alimentazione prima di pulire la stufa.

Si consiglia di pulire le seguenti componenti una volta ogni due settimane, soprattutto nelle aree in cui l'acqua è dura: Serbatoio dell'acqua, vaschetta, bocchetta, tappo del serbatoio e guarnizione, filtro dell'aria.

Per la pulizia generale, utilizzare un panno morbido e pulito, non utilizzare mai detersivi abrasivi.

Per rimuovere l'eventuale accumulo di polvere o pelucchi, utilizzare occasionalmente la spazzola morbida dell'aspirapolvere.

Serbatoio dell'acqua

1. Sollevare il fondo di metallo e posizionarlo con attenzione nel tavolo/piano di lavoro, **vedere Fig. 3**.
2. Estrarre il serbatoio dell'acqua, come descritto in precedenza, **vedere Fig. 6**, metterlo nel lavandino, svitare il tappo in senso antiorario, **vedere Fig. 9** e svuotare l'acqua.
3. Usando la spazzola in dotazione, strofinare delicatamente le superfici del tappo, prestando particolare attenzione all'anello in gomma nella scanalatura esterna e alla guarnizione in gomma centrale.
4. Versare una piccola quantità di detersivo per piatti nel serbatoio, riavvitare il tappo e scuotere bene, sciacquare fino all'eliminazione completa dei residui di detersivo.
5. Riempire esclusivamente con acqua di rubinetto decalcificata/filtrata, rimettere il tappo avvitando in senso orario, **senza stringerlo eccessivamente** - , **vedere Fig. 10**.
6. Riposizionare delicatamente il fondo di metallo.

Vaschetta

1. Sollevare il fondo di metallo e posizionarlo con attenzione nel tavolo/piano di lavoro, **vedere Fig. 3**.
2. Premere l'interruttore "A" per impostare la posizione di "OFF" (0),
3. Rimuovere il serbatoio dell'acqua sollevandolo ed estraendolo, **vedere Fig. 6**.
4. Rimuovere la bocchetta sganciandola (1) e sollevandola (2), **vedere Fig. 7**.
5. Scollegare il trasduttore (1) e far passare/inserire il connettore sotto i LED (2) **vedere Fig. 15**.
6. Sollevare delicatamente la vaschetta, facendo attenzione a mantenere il livello e non far fuoriuscire l'acqua. Sistemare il gruppo nel lavandino.
7. Sollevare il trasduttore e inclinarlo delicatamente per far sì che il liquido fuoriesca dalla vaschetta.
8. Versare una piccola quantità di detersivo per piatti nella vaschetta e, utilizzando la spazzola fornita, pulire delicatamente tutte le superfici della vaschetta e pulire delicatamente il trasduttore, compresi i dischi di metallo situati nella superficie scanalata superiore, **vedere Fig. 16**.
10. Terminata la pulizia, risciacquare accuratamente la vaschetta con acqua pulita per rimuovere ogni traccia di detersivo.
11. Pulire la bocchetta con la spazzola e risciacquare accuratamente con acqua, **vedere Fig. 7**.
12. Per rimontare seguire la procedura inversa.

Filtro dell'aria

1. Sollevare il fondo di metallo e posizionarlo con attenzione nel tavolo/piano di lavoro, **vedere Fig. 3**.
2. Estrarre il filtro dell'aria dal supporto in plastica facendolo scorrere delicatamente verso l'alto, **vedere Fig. 12**.
3. Risciacquare delicatamente con acqua nel lavandino e asciugare con un panno in tessuto prima di rimontarlo.
4. Ricollocare il filtro accertandosi che il filtro nero a maglia grossa sia rivolto verso la parte anteriore della stufa.
5. Riposizionare delicatamente il fondo di metallo.

Informazioni supplementari

ASSISTENZA POST-VENDITA

Il prodotto è garantito per due anni dalla data di acquisto. Entro questo periodo, sarà nostra cura riparare o sostituire gratuitamente il prodotto (con l'esclusione dei dischi del trasduttore, salvo disponibilità ed effettuazione della manutenzione periodica), a condizione che sia stato installato e utilizzato in accordo alle presenti istruzioni. I diritti del cliente ai sensi della presente garanzia sono aggiuntivi rispetto ai diritti statutari, che a loro volta non sono pregiudicati dalla presente garanzia.

RICICLAGGIO



Per i prodotti elettrici venduti all'interno della Comunità Europea - Al termine del ciclo di vita utile dei prodotti elettrici questi non devono essere smaltiti insieme ai normali rifiuti domestici. Effettuare lo smaltimento presso le apposite strutture. Rivolgersi all'autorità locale o al rivenditore per consigli su come smaltire il prodotto nel proprio paese.

BREVETTI/DOMANDE DI BREVETTO

I prodotti della gamma Optimyst sono protetti da uno o più dei seguenti brevetti e domande di brevetto:

Gran Bretagna GB 2402206, GB 2460259, GB 2460453, GB 2418014, GB 2465738, GB 2449925, GB 2465537, GB 2455277, GB1020534.2, GB1020537.5, GB1110987.3

Stati Uniti US 7967690, US 2010299980, US 2011062250, US 2008028648, US 13/167,042

Russia RU2008140317

Europa EP 2029941, EP 2201301, EP 2315976, EP 1787063, EP07723217.1, EP11170434.2, EP 11170435.9

Cina CN 101883953, CN 200980128666.2, CN 101057105, CN 101438104

Australia AU 2009248743, AU 2007224634

Canada CA 2725214, CA 2579444, CA 2645939

Domanda di brevetto internazionale WO 2006027272

Sudafrica ZA 200808702

Messico MX 2008011712

Corea KR 20080113235



Giappone JP 2009529649

Brasile BR P10708894-9

India IN 4122/KOLNP/2008

Nuova Zelanda NZ 571900

Risoluzione dei problemi

Sintomo	Causa	Soluzione
L'effetto fiamma non si avvia.	La spina di alimentazione non è collegata. Livello acqua basso. Il connettore a bassa tensione non è collegato correttamente. (Vedere Fig. 4)	Verificare che la spina sia collegata correttamente alla presa di rete. Verificare che il serbatoio dell'acqua sia pieno e che vi sia acqua nella vaschetta. Verificare che i connettori siano inseriti correttamente. (Vedere Figura 4) Verificare che la spina di alimentazione sia inserita correttamente.
L'effetto fiamma è troppo basso.	L'effetto fiamma è impostato su un livello troppo basso. Il disco nel trasduttore potrebbe essere sporco Il filo dall'Unità del Trasduttore si trova al di fuori del disco	Aumentare il livello della fiamma premendo (pulsante "E") nel telecomando o ricevitore.  Pulire il disco con una spazzola morbida. Vedere la sezione "Manutenzione" per la procedura passo a passo. Indirizzare il cavo verso l'angolo della vaschetta e assicurarsi che si trovi nell'alloggiamento che esce dalla vaschetta: controllare il collegamento.
Odore sgradevole durante l'utilizzo dell'unità.	Acqua sporca o stantia. Utilizzo di acqua di rubinetto non filtrata.	Pulire l'unità come descritto nella sezione sulla manutenzione. Utilizzare solo acqua di rubinetto filtrata/ decalcificata.
L'effetto fiamma produce troppo fumo.	L'effetto fiamma è impostato su un livello troppo alto.	Diminuire il livello della fiamma premendo (pulsante "D") nel telecomando o ricevitore.  Attendere che il generatore di fiamma si regoli sulla nuova impostazione.
Il prodotto non funziona I LED sono spenti.	Il prodotto non ha acqua	Riempire il serbatoio dell'acqua.

Wprowadzenie

Dziękujemy za zakup kominka elektrycznego firmy Dimplex. Prosimy o uważne przeczytanie niniejszej Instrukcji, która ułatwi instalację, użytkowanie i konserwację produktu.

Ważne informacje dotyczące bezpieczeństwa

Podczas użytkowania urządzeń elektrycznych należy zawsze stosować środki ostrożności, celem zmniejszenia ryzyka pożaru, porażenia lub innych urazów, opisane niżej:

OSTRZEŻENIE



Nie wolno pozostawiać na urządzeniu materiałów lub odzieży, ani też utrudniać obiegu powietrza wokół urządzenia.

Symbol ostrzeżenia na urządzeniu oznacza, że nie wolno go przykrywać.

SZKODA

W przypadku gdy urządzenie jest uszkodzone, przed przystąpieniem do instalacji i użytkowania, należy skontaktować się z dostawcą.

Jeżeli przewód zasilający jest uszkodzony, powinien zostać wymieniony przez producenta lub zakład serwisowy lub inną osobę wykwalifikowaną, celem wyeliminowania zagrożeń.

LOKALIZACJA

Nie wolno używać produktu w kąpeli, pod prysznicem czy na basenie.

Nie pozostawiać urządzenia bezpośrednio pod stałym gniazdkiem czy skrzynką rozdzielczą.

Upewnić się, że meble, firanki, lub inne materiały łatwopalne znajdują się nie bliżej niż 1 metr od urządzenia.

USTAWIENIE WTYCZKI

Urządzenie należy ustawić w taki sposób, aby wtyczka była łatwo dostępna.

Przewód zasilający należy trzymać z dala od przedniej części urządzenia.

WYJMOWANIE WTYCZKI Z GNIAZDA

W przypadku awarii odłączyć urządzenie od gniazda sieciowego.

Odłączyć urządzenie od gniazda sieciowego jeżeli nie będzie używane przez dłuższy czas.

WŁAŚCICIEL/UŻYTKOWNIK

Urządzenie może być użytkowane przez dzieci w wieku 8 i więcej lat oraz osoby z ograniczeniami fizycznymi, sensorycznymi lub mentalnymi, nie posiadające doświadczenia i wiedzy, pod warunkiem, że robią to pod nadzorem, zostały odpowiednio poinstruowane i rozumieją związane z tym zagrożenia. Produktu nie należy dawać dzieciom do zabawy. Dzieci nie powinny czyścić ani konserwować produktu samodzielnie, bez nadzoru.

Dzieci młodsze niż trzyletnie powinny używać produktu pod stałym nadzorem albo wcale. Dzieci w wieku od 3 do 8 lat mogą jedynie włączać i wyłączać urządzenie, pod warunkiem że zostało ono zainstalowane lub umieszczone w docelowym położeniu roboczym, a dzieci zostały odpowiednio poinstruowane w kwestii bezpiecznego użytkowania urządzenia lub też są nadzorowane i rozumieją powiązane zagrożenia. Dzieci w wieku od 3 do 8 lat nie powinny podłączać do gniazdka, regulować, czyścić ani konserwować urządzenia.

OSTRZEŻENIE DOTYCZĄCE

Niniejsze urządzenie musi być zasilany wyłącznie prądem zmiennym, a wartość napięcia zasilania musi odpowiadać wartości podanej na urządzeniu. Przed włączeniem urządzenia należy przeczytać zalecenia BHP oraz instrukcję obsługi. Uwaga: Produkt może być używany wyłącznie z dostarczonym zasilaczem.

Zasilacz wkładać wyłącznie do gniazdka sieciowego, którego napięcie odpowiada podanemu na zasilaczu.

Urządzenie wolno zasilać wyłącznie bardzo niskim napięciem odpowiadającym oznaczeniom na urządzeniu.

UWAGA - Niektóre wewnętrzne części tego produktu mogą się nagrzać i spowodować oparzenia. Należy zwrócić szczególną uwagę na dzieci lub osoby wrażliwe przebywające w pobliżu urządzenia.

OSTRZEŻENIE – Nie należy zakrywać urządzenia, aby uniknąć jego przegrzania.

ZASILACZ

Model ten można używać wyłącznie z dostarczonym zasilaczem. W przypadku konieczności jego wymiany należy skontaktować się z miejscem zakupu.

Informacje ogólne

W urządzeniu należy używać wyłącznie wodę filtrowaną/odwapnioną.

Urządzenie to jest przeznaczone do mocowania blatów stołowych, blatów roboczych i mebli.

Urządzenie należy ustawiać na stabilnej, płaskiej powierzchni.

Po zamontowaniu nigdy nie przenoś urządzenia, ani nie kładź go na „grzbiecie”, bez wcześniejszego usunięcia wody ze zbiornika na wodę i zbiornika ociekowego.

Jeżeli nie planujesz korzystania z urządzenia przez dłużej niż 2 tygodnie, opróżnij zbiornik wody oraz opróżnij i wyczyść zbiornik ociekowy.

Zbiornik na wodę, zbiornik ociekowy, wieko zbiornika ociekowego, nakrętkę zbiornika i filtry powietrza należy czyścić co 2 tygodnie, szczególnie w przypadku korzystania z twardej wody.

Uwaga:

Zbiornik ociekowy i zbiornik na wodę w niniejszym produkcie zostały zaprawione produktem biobójczym Silver Biocide, celem zapobieżenia rozwojowi organizmów szkodliwych lub niepożądanych. Powyższe jest zgodne z najnowszą odnośną normą ISO.

Woda ze zbiornika ociekowego lub zbiornika na wodę nie jest zdatna do picia.

Instrukcja instalacji

Niniejszy rozdział opisuje instalację urządzenia.

PRZED URUCHOMIENIEM

Upewnij się, że wszystkie elementy opakowania zostały usunięte (przeczytaj uważnie wszystkie etykiety), zachowaj opakowanie do późniejszego wykorzystania, np. na wypadek przeprowadzki czy zwrotu urządzenia do sprzedawcy. Przed podłączeniem do zasilania sprawdź, czy wartość napięcia zasilania jest identyczna z wartością podaną na urządzeniu.

MONTAŻ Z MEBLAMI

CAS250 jest przeznaczony do montażu z meblami – **na. Rys. 1** podane są wymiary produktu.

Między metalową podstawą a półką / szafką nad nią musi pozostać co najmniej 40 cm wolnej przestrzeni, aby zapewnić dostateczną przestrzeń do pełnego uformowania płomieni / mgły. Przestrzeń ta nie może być zasłonięta. W podstawie produktu znajdują się szczeliny, które przepuszczają powietrze, ułatwiając wydostawanie się mgły, a także utrzymując elementy elektroniczne w chłodzie.

Produkt wymaga wentylacji od spodu lub z tyłu, aby działać skutecznie.

Wymagane jest minimum 100cm² przykłady – zob. Rys. 1A.

W przypadku, gdy urządzenie pozostaje w centrum pomieszczenia / hali, przeciągi lub ruch pieszych przechodzących obok urządzenia mogą mieć wpływ na działanie płomienia. W przypadku tych instalacji zaleca się umieszczenie 4-stronnego szklanego obramowania, umieszczonego na blacie / półce, wokół wylotu (metalowa osłona) - minimalnej wielkości 33 x 33 x 10 cm.

Aby zamontować urządzenie na „blacie roboczym” (lub półce o podobnego typu), potrzebny jest prostokątny otwór, aby umożliwić umieszczenie produktu na miejscu. Dodanie wgłębienia pozwala na wyrównanie produktu z blatem stołu – **zob. Rys. 2.**

Metalową osłonę można zdjąć, aby umożliwić dostęp do elementów sterujących, a także dostęp do zbiornika na wodę, pokrywy dyszy, zbiornika ociekowego i przetwornika – **zob. Rys. 3.** Złącze wejściowe 24 V znajduje się z tyłu produktu – podłącz wtyczkę zasilacza do tego gniazda wejściowego – **zob. Rys. 4.** W meblach wymagany jest otwór dystansowy (16-20 mm), aby umożliwić doprowadzenie przewodu zasilacza. Ewentualnie można wykorzystać otwór wentylacyjny. Włóż wtyczkę kabla sieciowego do zasilacza (Nie podłączaj wtyczki sieciowej do gniazdko, dopóki urządzenie nie będzie gotowe do pracy). Produkt można zabezpieczyć, mocując śrubą przez podstawę lub z dwóch stron – **na. Rys. 5 i 5a.** (śruby mocujące nie są dołączone).

Podłączanie przetwornika:

1. Podnieś metalową osłonę i umieść ostrożnie na stole / blacie - **zob. Rys. 3.**
3. Wymontuj zbiornik na wodę podnosząc go do góry i na zewnątrz. – **zob. rys. 6.**
4. Wymontuj dyszę, odblokowując ją (1) i podnosząc do góry i na zewnątrz (2) – **zob. Rys. 7.**
5. Przetwornik będzie we wnętrzu zbiornika ociekowego. Wyjmij z torebki.

Wprowadź klapkę przetwornika do wytłoczonej wnęki w podstawie zbiornika ociekowego (1). Upewnij się, że kable nie zasłaniają tarczy przetwornika. Celem zapobieżenia utknięciu kabla między dyszą a zbiornikiem ociekowym, sprawdź, czy kabel jest umieszczony w szczelinie w ścianie zbiornika ociekowego (2). - **zob. Rys. 8.**

Napełnianie zbiornika na wodę:

1. Podnieś metalową osłonę i zbiornik na wodę, jak opisano powyżej.
2. Umieść zbiornik na wodę w zlewie, odkręć nakrętkę kręcąc w lewo – **zob. Rys. 9.**
3. Uzupełnij zbiornik **tylko odwapnioną / filtrowaną wodą z kranu.** Jest to niezbędne do przedłużenia żywotności urządzenia generującego efekt płomienia i dymu. Wodę należy przefiltrować przez domowy filtr, a filtr należy regularnie wymieniać. **NIE** wolno używać **wody** destylowanej.
4. Nakręć z powrotem zakrętkę zgodnie z kierunkiem ruchu wskazówek zegara – **nie dokręcaj zbyt mocno.**
5. Zamontuj zbiornik na wodę w układzie ociekowym, nakrętką w dół i płaską stroną na zewnątrz – **zob. Rys. 10.**

Rozdział ten zawiera instrukcję włączania kominka przy pomocy ręcznych elementów sterujących lub pilota zdalnego sterowania. Włóż wtyczkę sieciową do gniazdka (upewnij się, że napięcie zasilania pasuje do napięcia oznaczonego na urządzeniu).


Elementy sterowania ręcznego

Elementy sterowania ręcznego znajdują się pod metalową osłoną – **zob. Rys. 11**, na którym pokazano układ elementów sterowania ręcznego


Przełącznik A: steruje zasilaniem elektrycznym z zasilacza do kominka.


Uwaga: Ten przełącznik musi być w położeniu włączenia „ON” (I), aby kominek zadziałał.

ODBIORNIK BLUE TOOTH (BT)

Przełącznik B: naciśnij raz,  aby włączyć efekt płomienia. Włącza się oświetlenie LED – uruchomienie efektu płomieni może potrwać nawet do 45 s.

(Przycisk C  służy do parowania pilota zdalnego sterowania – zobacz podrozdział „Pilot Blue Tooth” poniżej)

Wciśnij,  aby przełączyć kominek w tryb oczekiwania. Diody LED zostaną wyłączone.

Przycisk D i E: pozwalają kontrolować intensywność efektu płomienia. 

Naciśnij przycisk D, aby zmniejszyć wysokość płomienia.

Naciśnij przycisk E, aby zwiększyć wysokość płomienia.

Kiedy wysokość płomienia osiągnie maks. lub min. dioda mignie jeden raz.



Pozostaw generator płomienia na parę sekund, do czasu aż zareaguje na wprowadzone zmiany.

Po ustawieniu niższego poziomu efektu płomienia, kominek będzie zużywał mniej wody.

Odbiornik Blue Tooth można wyjąć z jego miejsca i umieścić go na zewnątrz produktu, jeśli jest to zalecane. Aby to zrobić, usuń metalową oprawę – **zob. Rys. 3**, zdejmij filtr powietrza - odepnij odbiornik BT i wysuń go przez otwór wlotowy filtra powietrza – **zob. Rys. 12**. Odwiń kabel od spodu i umieść odbiornik BT w pożądanym miejscu (długość kabla od otworu wlotowego wynosi 120 cm). Załóż filtr i metalową osłonę.

PILOT BLUE TOOTH (BT)

Pilot jest dostarczany z 2 bateriami AAA. Zdejmij pokrywę baterii od spodu pilota zdalnego sterowania – **zob. Rys. 13** a po wyjęciu baterii z opakowania włóż je na miejsce. Załóż pokrywę na baterie.

Pilot zdalnego sterowania jest wyposażony w technologię bezprzewodową i musi być sparowany z odbiornikiem. Odbywa się to poprzez naciśnięcie przycisku  C na odbiorniku BT. Diody LED zaczną migać. Informuje to, że urządzenie jest gotowe do połączenia z pilotem. Naciśnij przycisk  B na pilocie. Urządzenie wyłączy się. Teraz pilot jest sparowany z urządzeniem.

Działanie pilota zdalnego sterowania jest takie samo jak opisane w rozdziale „Elementy sterujące odbiornika”.

Na pilocie znajdują się 3 przyciski – **zob. Rys. 14**. Poprawne działanie pilota wymaga skierowania go w stronę urządzenia. Funkcje zdalnego sterowania działają w taki sam sposób, jak przyciski ręczne B, D i E.

 Tryb gotowości (B)

 Płomień w dół (D)

 Płomień do góry (E)

Konserwacja

OGÓLNE WSKAZÓWKI

W urządzeniu należy używać wyłącznie filtrowaną/odwapnioną wodę z kranu.

Urządzenie należy ustawiać na stabilnej, płaskiej powierzchni.

Jeżeli nie planujesz korzystania z urządzenia przez dłużej niż 2 tygodnie, opróżnij zbiornik wody oraz zbiornik ociekowy.

Po zamontowaniu nigdy nie przenoś urządzenia, ani nie kładź go na „grzbiecie”, bez wcześniejszego usunięcia wody ze zbiornika na wodę i zbiornika ociekowego.

Urządzenia nie wolno włączać, gdy nie działają diody LED.

NAPEŁNIANIE ZBIORNIKA NA WODĘ.

Gdy zbiornik wody wymaga ponownego napełnienia, diody LED, płomień / dym wyłączają się. (Aby wskazać, kiedy zbiornik wymaga ponownego napełnienia, diody LED migają dwa razy, około 15 minut przed wyłączeniem płomienia / dymu)

1. Podnieś metalową osłonę i połóż ostrożnie na stole / blacie – **zob. Rys. 3**.

2. Wymontuj zbiornik na wodę podnosząc go do góry i na zewnątrz – **zob. Rys. 6**.

3. Umieść zbiornik na wodę w zlewie, odkręć nakrętkę kręcąc w lewo – **zob. Rys. 9**.

4. Napełnij zbiornik **tylko odwapnioną / filtrowaną wodą z kranu**. Jest to niezbędne do przedłużenia żywotności urządzenia generującego efekt płomienia i dymu.

Wodę należy przefiltrować przez domowy filtr, a filtr należy regularnie wymieniać.

5. Nakręć z powrotem zakrętkę zgodnie z kierunkiem ruchu wskazówek zegara, **nie dokręcaj zbyt mocno**.
6. Zamontuj zbiornik ponownie w układzie ociekowym, nakrętką w dół i – **zob. Rys. 10**.
7. Ostrożnie umieść metalową osłonę na swoim miejscu.

CZYSZCZENIE

Ostrzeżenie - Przed przystąpieniem do czyszczenia urządzenia zawsze ustaw przełącznik A w położeniu OFF (WYŁ) (0) – **zob. Rys. 11** i odłącz je od gniazda zasilania.

Zalecamy czyszczenie poniższych komponentów co najmniej raz na 2 tygodnie, szczególnie w przypadku korzystania z twardej wody:

Zbiornik na wodę, zbiornik ociekowy, dysza, zakrętka i uszczelka zbiornika, filtr powietrza.

Do czyszczenia używaj miękkiej ściereczki – nigdy nie używaj ściernych środków czyszczących.

Aby usunąć kurz i zanieczyszczenia, od czasu do czasu należy użyć odkurzacza z założoną końcówką w postaci miękkiej szczotki.

Zbiornik na wodę

1. Podnieś metalową osłonę i połóż ostrożnie na stole / blacie – **zob. Rys. 3**.
2. Wyjmij zbiornik wody, jak opisano wcześniej – **zob. Rys. 6** włóż do zlewu, odkręć nakrętkę w kierunku przeciwnym do ruchu wskazówek zegara – **zob. Rys. 9** i wylej wodę.
3. Przy pomocy dołączonej szczotki oczyść ostrożnie wewnętrzne powierzchnie zakrętki, zwracając szczególną uwagę na pierścień gumowy w rowku zewnętrznym oraz centralną uszczelkę gumową.
4. Wlej do zbiornika niewielką ilość płynu do mycia, ponownie załóż zakrętkę i potrząśnij, opłukuj do czasu usunięcia całego płynu.
5. Napełniaj tylko odwapnioną / przefiltrowaną wodą z kranu, załóż korek (zgodnie z ruchem wskazówek zegara), **nie dokręcając zbyt mocno**. - **zob. Rys. 10**.
6. Ostrożnie umieść metalową osłonę na swoim miejscu.

Zbiornik ociekowy

1. Podnieś metalową osłonę i połóż ostrożnie na stole / blacie – **zob. Rys. 3**.
2. Ustaw przełącznik A w położeniu OFF (WYŁ) (0) –
3. Wymontuj zbiornik na wodę podnosząc go do góry i na zewnątrz – **zob. Rys. 6**.
4. Wymontuj dyszę, odblokowując ją (1) i podnosząc do góry (2) – **zob. Rys. 7**.
5. Odłącz przetwornik (1) i przeciągnij złącze pod diodami LED (2) – **zob. Rys. 15**.
6. Ostrożnie unieś zbiornik ociekowy, tak aby nie wylać znajdującej się w nim wody. Ustaw zespół w zlewie.
7. Ostrożnie wyjmij przetwornik i ostrożnie przechyl go, celem opróżnienia zbiornika ociekowego z cieczy.
8. Wlej niewielką ilość płynu do mycia do zbiornika ociekowego i przy pomocy dołączonego pędzla wyczyść wszystkie powierzchnie w zbiorniku ociekowym i delikatnie wyczyść przetwornik, w tym metalowe dyski znajdujące się w górnej powierzchni rowkowanej – **zob. Rys. 16**.
10. Po oczyszczeniu, starannie opłukaj zbiornik ociekowy czystą wodą, celem usunięcia wszystkich śladów środka do czyszczenia.
11. Wyczyść dyszę przy pomocy pędzla i opłukaj ją dokładnie wodą – **zob. Rys. 17**.
12. Zmontuj urządzenie ponownie, wykonując powyższe czynności w odwrotnej kolejności.

Filtr powietrza:

1. Podnieś metalową osłonę i połóż ostrożnie na stole / blacie – **zob. Rys. 3**.
2. Ostrożnie wysuń filtr powietrza z jego osłony z tworzywa – **zob. Rys. 12**.
3. Przed zwrotem ostrożnie opłukaj wodą w zlewie i osusz ręcznikiem materiałowym.
4. Zamontuj ponownie filtr, upewniając się, że czarny filtr zgrubny umieszczony jest z przodu urządzenia.
5. Ostrożnie umieść metalową osłonę na swoim miejscu.

Dodatkowe informacje

OBSŁUGA POSPRZEDAŻNA

Produkt objęty jest dwuletnią gwarancją od daty zakupu. W tym okresie zobowiązujemy się do bezpłatnego naprawienia lub wymiany produktu (z wyjątkiem tarczy przetworników i pod warunkiem dostępności i regularnej konserwacji), pod warunkiem że został on zainstalowany i był użytkowany zgodnie niniejszymi instrukcjami. Twoje prawa wynikające z niniejszej Gwarancji są dodatkowe do praw ustawowych, na które z kolei niniejsze prawa nie mają wpływu.

RECYKLING



Po zakończeniu eksploatacji urządzenia elektryczne sprzedawane w Unii Europejskiej nie wolno utylizować razem z odpadami domowymi. Jeśli to możliwe, należy oddać urządzenie do recyklingu. Zapytaj władz lokalnych lub sprzedawcy gdzie możesz oddać urządzenie do recyklingu.



PATENT / WNIOSK PATENTOWY

Produkty z serii Optimyst chronione są przez jeden lub kilka poniższych patentów i wniosków patentowych:

Wielka Brytania GB 2402206, GB 2460259, GB 2460453, GB 2418014, GB 2465738, GB 2449925, GB 2465537,

GB 2455277, GB1020534.2, GB1020537.5, GB1110987.3
 Stany Zjednoczone US 7967690, US 2010299980, US 2011062250, US 2008028648, US 13/167,042
 Rosja RU2008140317
 Europa EP 2029941, EP 2201301, EP 2315976, EP 1787063, EP07723217.1, EP11170434.2, EP 11170435.9
 Chiny CN 101883953, CN 200980128666.2, CN 101057105, CN 101438104
 Australia AU 2009248743, AU 2007224634
 Kanada CA 2725214, CA 2579444, CA 2645939
 Międzynarodowy wniosek patentowy WO 2006027272
 Republika Południowej Afryki ZA 200808702
 Meksyk MX 2008011712
 Korea KR 20080113235
 Japonia JP 2009529649
 Brazylia BR P10708894-9
 Indie IN 4122/KOLNP/2008
 Nowa Zelandia NZ 571900

Rozwiązywanie problemów

Objaw	Przyczyna	Przeciwdziałanie
Nie można uruchomić efektu płomienia.	Wtyczka zasilania nie jest podłączona do gniazda. Niski poziom wody w zbiorniku. Przyłącze niskiego napięcia nie został prawidłowo podłączony. (zob. Rys. 4)	Sprawdź, czy wtyczka jest prawidłowo podłączona do gniazda zasilania. Sprawdź, czy zbiornik na wodę i zbiornik ociekowy są pełne. Sprawdź, czy przyłącza zostały podłączone prawidłowo. (Zob. Rys. 4) Sprawdź, czy wtyczka sieciowa jest prawidłowo włożona.
Efekt płomienia jest zbyt mały.	Efekt płomienia jest ustawiony na zbyt mały. Tarcza w przetworniku może być zabrudzona Przewód od przetwornika spoczywa na tarczy	Zwiększ poziom płomienia naciskając  (przycisk E) na pilocie lub odbiorniku. Wyczyść tarczę miękką szczotką. Procedurę postępowania opisano, krok po kroku, w rozdziale „Konserwacja”. Skieruj przewód na róg zbiornika ociekowego i upewnij się, że znajduje się w gnieździe wychodzącym ze zbiornika ociekowego – sprawdź połączenie.
Nieprzyjemny zapach w czasie używania urządzenia.	Woda jest zabrudzona lub stęchła. Użycie niefiltrowanej wody kranowej.	Wyczyść urządzenie zgodnie z opisem w sekcji Konserwacja. Należy używać wyłącznie odwapnioną i filtrowaną wodę kranową.
Efekt płomienia emituje zbyt dużo dymu.	Ustawienie efektu płomienia jest zbyt duże.	Zmniejsz poziom płomienia naciskając  (przycisk D) na pilocie lub odbiorniku. Przed ustawieniem nowego poziomu płomienia poczekaj chwilę, aż generator będzie gotowy do pracy.
Produkt nie działa. Diody LED nie są włączone.	Produkt nie zawiera wody	Napełnij zbiornik na wodę.