

# MANUAL



## OFYR® MANUAL

THANK YOU SO MUCH FOR BUYING AN OFYR® PRODUCT. THIS MANUAL CONTAINS SETUP INSTRUCTIONS, WARRANTY CONDITIONS, AND ADDITIONAL INFORMATION ABOUT YOUR OFYR® COOKING UNIT.

### COOKING UNIT GENERAL INFORMATION

OFYR® cooking units are modular products consisting of various separate elements including a base, cone, and cooking plate. All OFYR® cooking units are shipped in special octagonal packaging units, called Octabins. Our OFYR® cooking units can be divided into 2 types: the OFYR® Classics and OFYR® Islands (see fig. 1).

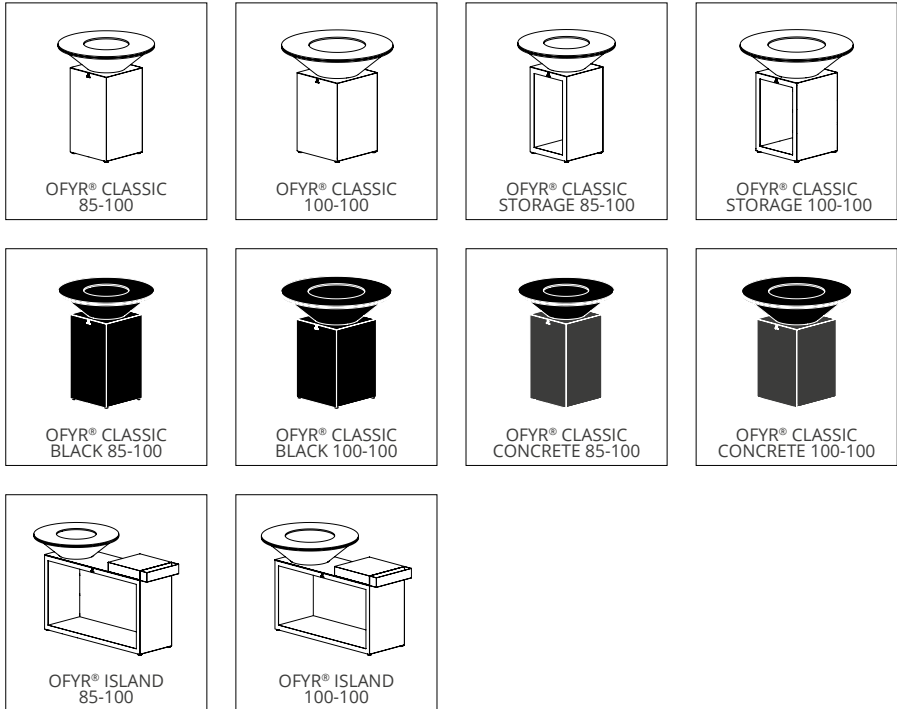


Fig.1 - OFYR® cooking units

### TRANSPORT/PACKAGING OF COOKING UNITS

The OFYR® Classic, Storage, and Black 85-100 and 100-100 are shipped upside down (see fig.2 and fig. 3). Our OFYR® Black products are wrapped in an extra layer of packaging material to prevent damage during transport. The OFYR® Island 85-100 and 100-100 are shipped vertically in special Island Octabins (see fig.2 and fig.3). The OFYR® Concrete is packed straight up due to the heavy weight of the base.

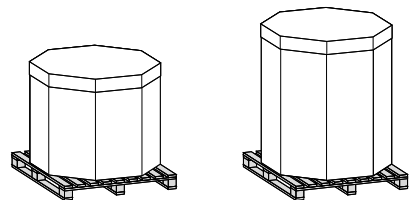


Fig.2 - OFYR's Packed in octabin

## SETUP OF COOKING UNITS

The exterior of the Octabin features an explanation regarding how to unpack your OFYR® cooking unit. Please note that all cooking units must be set up exactly as explained in these setup instructions! We are not liable for any damage resulting from incorrect setup attempts of OFYR® cooking units.

### BASE & CONE

First, place the base on a fireproof surface. For our OFYR® Island models and OFYR® Concrete, we recommend placing the base with two people, due to its considerable weight. Then, place the cone in the base's hole level. If your surface is not entirely level, you can use the base's adjustable feet to make sure that it is level. Please note that if the adjustable feet are extended too far, the OFYR® unit may become unstable. We recommend a maximum difference in level of 10 mm. If the level difference exceeds 10 mm, we recommend levelling the surface before setting up the OFYR® cooking unit. Once the OFYR® cooking unit has been set up, it must not be shifted. Shifting it could cause damage to the adjustable feet and/or the rivet nuts with which the adjustable feet are attached. We do not accept warranty claims or liability for any damage resulting from shifting your OFYR® cooking unit. Please note that the OFYR® Classic Black has a coating and is thus more sensitive to damage during setup. We are not liable for any damage or consequential damage resulting from the setup of your OFYR® cooking unit. Our OFYR® Island models contain wooden work surfaces on the right. These surfaces have nylon feet that block any heat conduction from the top of the Island base. The base contains a second top, and there is a gap of a few millimetres between the base and the top. At the front right, back, or side of the base, this gap can be used to insert the tool tray.

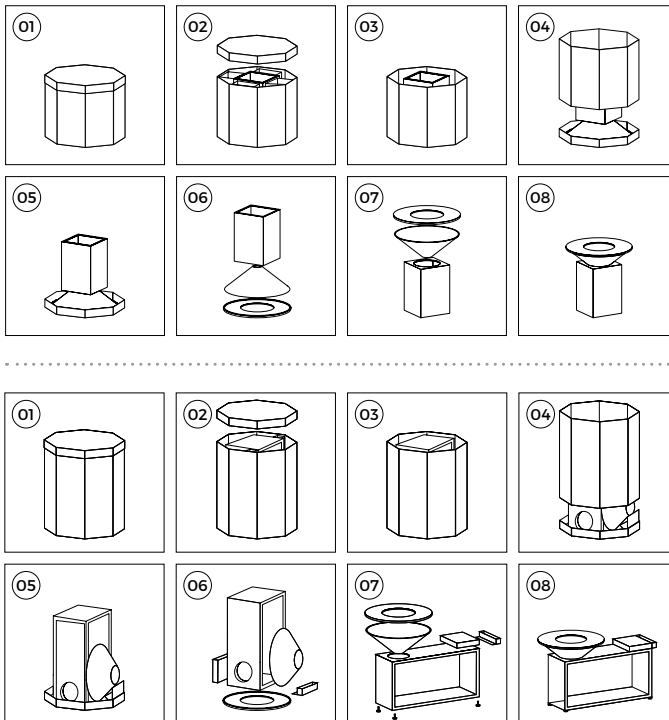


Fig.3 - OFYR's unpacking procedure

## COOKING PLATE

To prevent the formation of burrs on the cooking plate edge, we recommend that you do not roll the cooking plate during transport, because burrs may form and as a result of this the top can no longer be scraped down properly with a spatula. We recommend lifting the cooking plate with 2 people, due to its considerable weight. You can hold on to it using the thick outer edge as well as the inner edge. When placing the cooking plate onto the cone, we recommend that 2 people hold the top's inner edge and position it over the cone until it clicks into place. If the cooking plate does not fit the cone levelly, you can turn it until its ring settles over the cone.

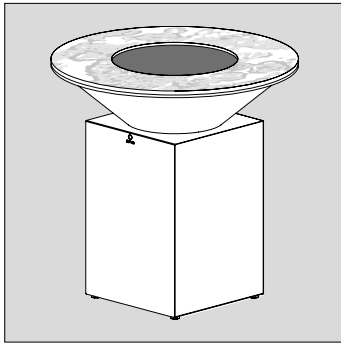
*Please note: we recommend the use of gloves when placing the cooking plat.  
Also, please be careful not to stain your clothes.*

---

## USAGE

### 01 ALWAYS OUTSIDE

All OFYR® cooking units are made to stand outside in all weather conditions. The base and cone of our OFYR® Classic and Classic Storage and Island cooking units are made of Corten steel and will already show signs of corrosion when they arrive. The corrosion process may not yet have fully unfolded, meaning that the unit's colour will change over time as the corrosion process progresses. The natural layer of corrosion protects against rust perforation. Please note that some corrosive water may run down the base and cone during the first few months and damage the surface the unit is standing on. We are not liable for any damage resulting from this corrosive wastewater. It is important that you regularly treat the cooking plate with oil, both its surface and its rim. The cooking plate is made of steel and will corrode



*Fig. 4 - Excessive corrosion on cooking plate*

if oil is not baked into it. Once the oil has properly been baked in, only minor corrosion will develop. When the cooking plate is not used for longer periods, we recommend treating it with oil every 7-10 days to prevent corrosion. Any corrosion that does develop can be removed using steel wool. In the event of excessive corrosion (see fig. 4), we recommend polishing its surface with a wire brush attached to a drill. It is best to heat the cooking plate beforehand, because that will loosen up the layer of corrosion. Once the cooking plate has been thoroughly polished, you will be able to wipe away the polishing residue with a cloth. Once you treat the cooking plate with oil, it will be good as new again. The base plate of the cone contains a hole to allow rainwater to drain away. To prevent the cone from getting clogged, we recommend that you remove the ashes from the cone after every use. (Hot) ashes may also drop through the hole in the base plate. You should take this

possibility into account when choosing a surface to place your OFYR® cooking unit on. You might want to put a steel bucket with some water in the base. In the case of our Island and Storage models, the ashes are instead collected on the top plate. For these models, the way to remove the ashes is by lifting the cone and cooking plate off of the base to ensure that any rainwater can drain away. The hole in the base plate serves no additional purpose as an air supply to ensure that the fire stays lit. The concrete base has been treated with wax in order to make the surface shiny.

---

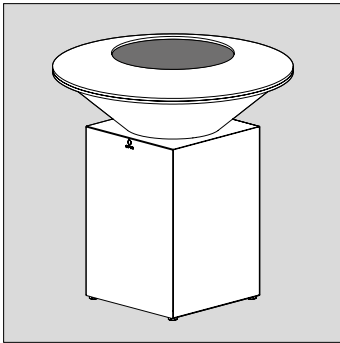
### 02 WOOD

For optimum user comfort, we recommend using oven-dried wood to prevent smoke formation during cooking. Moreover, oven-dried wood is much easier to light. Stack the pieces of wood two by two, as if you were building a log cabin, with the bark facing outwards to further prevent smoke formation. Oven-dried beech wood is best, because it burns down to a mass of coals that optimally heats up the cooking plate. This mass of coals is easily shifted around

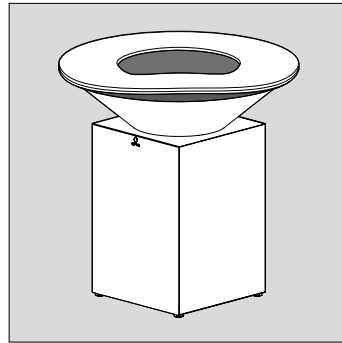
if you want to direct the heat elsewhere. When you light the fire and add new wood to the fire, it will generally smoke for a bit until it catches fire properly. This smoke formation can be prevented for the most part by using our Buffadoo blowpipe to blow oxygen into the fire, causing the new wood to catch fire almost instantly. The ideal size for the pieces of wood is around 10 x 30 centimetres. We advise against using larger pieces of wood. These do tend to catch fire quickly, but generally do not burn down properly due to the lack of space for oxygen in the cone. The fact that smaller pieces of wood are preferred is especially true for our 85-100 models, even more so than for our 100-100 models. For an evening of cooking (4-5 hours) you will need around two Wood Bags of around 50 litres each, depending on the temperature outside and the weather conditions.

### 03 INITIAL USE

Upon initial use, it is important to light a smaller fire for roughly 30 minutes to allow the cooking plate to settle properly. During manufacture, the middle of the cooking plate was pressed down just slightly. When the cooking plate is heated, it will be pressed down even further, and if you light too big a fire during your initial use of your OFYR® cooking unit, this may cause the cooking plate to be pressed down too far during future use. It is very important to prepare the cooking plate properly using the procedure outlined above. In some cases, the cooking plate may instead bulge upwards in the middle and thus become convex (*see fig. 5*). This means the steel is incorrectly stressed. If this happens, please contact your dealer. If you light a fire that is too big using wood that reaches very high temperatures, such as the kind of hardwood that is used in construction, this may cause the cooking plate to warp entirely (*see fig. 6*). We do not accept warranty claims for any damage resulting from such incorrect usage. All OFYR® cooking plates are treated with oil during manufacture for protection against corrosion. Once you have prepped the cooking plate properly using a small fire, you can start building a larger fire. Considering the fact that OFYR® cooking plate tops are 12 mm thick, it takes quite a sizeable fire to get them heated through properly.



*Fig. 5 - Upwards bulged cooking plate*



*Fig. 6 - Warped cooking plate due to the use of incorrect wood*

Once the cooking plate is well heated, drizzle on olive oil and spread it with a kitchen towel.

Do this 2-3 times. Then scrape down the cooking plate with the supplemented spatula and push the scrapings into the fire. We also have a PRO spatula in our product range for intensive use in a professional environment. Initially, the cooking plate will give off a black substance. Simply drizzle it with olive oil a few more times, spread out the oil, and scrape down the cooking plate. Once all you can manage to scrape off is beige scrapings, the cooking plate is clean and ready for use. Simply drizzle on olive oil once more and spread it out, and start cooking! We recommend using olive oil the first 2-3 times you use your OFYR® cooking unit. Olive oil has a lower combustion point, which will help the cooking plate get a nice brown-black hue. After the first few uses, you can start using oil types with higher combustion points, such as sunflower oil or groundnut oil. Baking the oil into the cooking plate also protects it from corrosion. However, if the cooking plate is not used for longer periods on end, the oil will dry out and the cooking plate will start corroding when the weather is humid. To prevent such corrosion from forming, please refer to Chapter 01, 'Always outside'.

## 04 COOKING

It will take between 25 to 45 minutes, depending on the weather conditions and the outside temperature, for the cooking plate to reach a temperature of around 300 °C on the inner edge and around 200 °C on the outer edge. To do so, build a fire using the wood cabin method mentioned above. Once your initial fire's wood is burning properly, spread out the hot mass under the edges of the cooking plate and add new wood with the bark facing up. Repeat the process for the entire duration that you wish to keep the cooking plate hot. You will notice that it will take a lot more wood during autumn and winter to keep the cooking plate hot than during spring and summer. If there is a breeze, the cooking plate will be hottest where the wind leaves the OFYR® cooking unit, i.e. in the direction of the wind. You can compensate for this by pushing more hot coals into the opposite direction. Once the cooking plate is starting to heat up, you must first scrape it down using the spatula and then rub it with an oiled cloth. Once the cooking plate is hot enough for cooking, add some oil where you intend to place the food. Whenever the cooking plate starts to appear dry and matte, you will need to add extra oil, to ensure that the cooking plate is always sufficiently greased. You will need to add more oil when cooking fish and vegetables than when cooking fatty meats. You can also use (cedar) wooden planks (see fig.7) to place thicker cuts of meat or fish on after you have seared the outsides, to allow

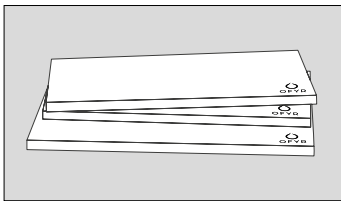


Fig. 7 - Cedar wood planks

them to cook slowly. If any food residue is left behind on the cooking plate, simply push it into the fire using the spatula. Rub the cooking plate down with an oiled cloth frequently, and it will be spotless again. We recommend that you do not allow a thick layer of residue to build up, because it will be hard to remove. It is better to scrape down the cooking plate frequently. Once you get used to using your OFYR® cooking unit, this will easily become a habit. Once you are done cooking, clean the cooking plate one last time using the procedure outlined above, and if it is still luke warm after that, rub it with oil once more. This ensures that it will be properly protected

and ready for next time. For more cooking techniques and tips, visit our OFYR® YouTube channel, and/or our website, [www.OFYR.com](http://www.OFYR.com). If you use your OFYR® cooking unit a lot, a smooth layer of carbon residue will build up on the griddle top, making it extra smooth and extra comfortable to use. From time to time, this layer might come off here and there. When you spot it chipping in places, simply scrape off the chips using the spatula, and rub on new oil. The carbon residue layer will gradually renew itself this way.

---

## 05 EXTINGUISHING THE FIRE

The best way is to let the fire die out on its own. Please note that the ashes and the cooking plate can stay hot long after use. Another option is to cover the OFYR® cooking unit with one of the optional snuffers (Ø50 and Ø60 cm in diameter) to extinguish the fire. If you have an OFYR® Island, we recommend that after you clean the cooking plate you also clean the Island's wooden work surfaces, for the sake of hygiene. These work surfaces should not be left outside overnight or in the rain. Please note that you should never extinguish the fire using water!

---

## 06 MAINTENANCE

OFYR® cooking units are relatively low-maintenance. As stated previously, corrosion may build up on your prepped cooking plate if you do not use your OFYR® cooking unit for an extended period of time, but such corrosion can easily be removed. If you do not prep your cooking plate properly, the corrosion may be extensive and you will need to use a wire brush to remove the corrosion, as explained in Chapter 01, 'Always outside'.

---

## 07 ISLAND

The wooden boards must be cleaned by hand and must not be treated with any corrosive substances or cleaned in the dishwasher. After you clean them, we recommend that you store them inside, in a dry place with low humidity. Large temperature differences may cause the wood to warp. We strongly advise against leaving these wooden boards outside. Please note that wood is a natural product and is always liable to warp somewhat. We are not liable for any wood warping that may occur.

## Disclaimers

### 01 CORROSION

With the exception of the cooking plate, adjustable feet, hinges, screws, and the magnets underneath the wooden planks, all steel elements of the OFYR® collection are made of Corten steel. Corten steel is a type of steel that corrodes very rapidly, and it is precisely this corrosion that protects it against rust perforation. If you allow nature to take its course, it will take 6-12 months for these Corten steel elements to corrode, depending on their location and the humidity level. Unlike many manufacturers of Corten steel products, we provide buyers of our products with an additional service by making sure that the corrosion process has already started by the time our products are delivered. Depending on their location and the humidity level, it will take another 3-6 months for this superficial corrosion to turn into a proper layer of corrosion. However, this does not guarantee an entirely smooth layer of corrosion. Therefore, any Corten steel elements that are less corroded than others upon delivery are not eligible for replacement. After all, they will corrode naturally over time under influence of the weather. While the corrosion is still superficial, the Corten steel elements may cause orange stains on clothes, skin, and the surface they stand on. When it rains, corrosive water may also run off these elements, which may permanently stain light-toned stone or wooden surfaces. Under normal circumstances, the Corten steel will gradually develop a smooth, dark brown layer of corrosion that will not chip. However, this layer may chip in locations near the sea or the shore due to the high levels of salinity in such locations. The chipping will not cause any damage, but the chipped corrosion must be removed to prevent corrosion from forming on the surface the OFYR® cooking unit is placed on. We do not accept liability for any damage resulting from the corrosion of our products.

### 02 WOODEN BOARDS

Some OFYR® products include wooden boards to be used as seating or work surface. (See fig. 8) None of those should be left outside for extended periods of time. Humid weather may cause them to warp and or crack. We therefore recommend that you store these boards inside in a dry place after each use. We do not recommend leaving them outside at night, as the weather tends to be humid then. The work surfaces can be used as cutting

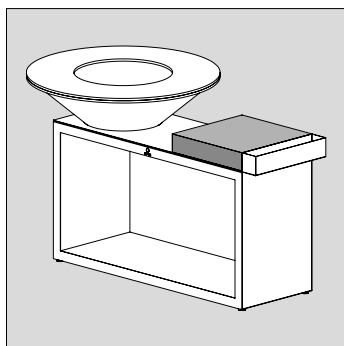


Fig. 8 - Wooden boards

boards, but should not be used as chopping blocks. If sharp or heavy objects are used to exert great force on these surfaces, these will become irreparably damaged. The work surfaces that come with the Butcher Blocks 45-45-88 and the OFYR® Island 85-100 are the same size. The work surfaces that come with the Butcher Blocks have magnetic feet and those that come with the OFYR® Island 85-100 have nylon feet. The Butcher Blocks work surfaces are not suitable for use on the OFYR® Island 85-100 because the magnetic feet are conductive, and the conducted heat may cause the wood to warp. We do not accept liability for any damage resulting from incorrect use of wooden boards. Please note that you should not place OFYR® products with wooden elements directly next to any heat source, including any of our cooking units, because the heat may cause damage to the wood or cause it to warp.

**03 ADJUSTABLE FEET ON OFYR® COOKING UNITS, BUTCHER BLOCKS, HOCKER, AND DRESSOIR**

Once OFYR® cooking units, Butcher Blocks, Hocker, Bench, and Dressoir have been set up, the adjustable feet can be used to make them level. We do not recommend using these feet to adjust the overall height of our cooking units and other units, because the OFYR® cooking units, Butcher Blocks, Hocker, Bench, and Dressoir may become unstable if the adjustable feet are extended by more than 10 mm. We do not accept liability for any damage resulting from improper use of adjustable feet. Once the OFYR® cooking units, Butcher Blocks, Hocker, Bench, and Dressoir have been set up, they must not be shifted. Shifting them could cause damage to the adjustable feet or the rivet nuts with which the feet are attached. We do not accept warranty claims or liability for any damage resulting from shifting and/or moving the OFYR® cooking units, Butcher Blocks, Hocker, Bench, and Dressoir.

**04 DO NOT USE IN CLOSED-OFF SPACES**

None of the OFYR® cooking units are suitable for use in partially or entirely closed-off spaces. Such use may cause an excess of dangerous fumes that may result in carbon monoxide poisoning.

**05 DO NOT USE PURE ALCOHOL, PETROL, OR OTHER CHEMICAL SUBSTANCES**

The use of pure alcohol, petrol, or other chemical substances when lighting fires is very dangerous and may affect the food on the cooking plate. We are not liable for any health issues resulting from using chemical substances when lighting your OFYR® cooking unit. Moreover, please make sure that the area around your OFYR® cooking unit is clear of any highly flammable materials.

**06 DO NOT LEAVE YOUR OFYR® UNATTENDED**

Please note that you should never leave your OFYR® cooking unit unattended and keep children and pets away from the unit as well.

**07 WARRANTY TERMS PER ELEMENT**

A limited lifetime warranty applies to the material and construction of all steel elements of all OFYR® cooking units for the original buyers or owners, provided that they purchased their unit from an authorised dealer and registered their warranty in the required manner. For proper registration of your OFYR products please go to [www.ofyr.club](http://www.ofyr.club)

	<b>B2C</b>	<b>B2B</b>
COOKING PLATE	5 YEARS	3 YEARS
CORTEN STEEL PRODUCTS (NOT THE CONE)	5 YEARS	3 YEARS
CONE	3 YEARS	1 YEAR
COATED PRODUCTS	2 YEARS	1 YEAR
CONCRETE PRODUCTS	2 YEARS	1 YEAR
WOODEN BOARDS	2 YEARS	1 YEAR
SYNTHETIC PARTS	2 YEARS	1 YEAR
METAL PARTS	2 YEARS	1 YEAR

Fig. 9 - Warranty Terms

**WARNING!**

- The OFYR® will become very hot!
  - Do not use the OFYR® indoors!
  - Keep children and pets away!
  - Do not use spirit or petrol for lighting or re-lighting!
- Use only firelighters complying to EN 1860-3!



## FAQ'S

### 1. Transport/packaging of cooking units

#### HOW WILL YOUR OFYR® COOKING UNIT BE DELIVERED?

Your OFYR® cooking unit will be delivered in an octagonal packaging unit, called an Octabin. The OFYR® Classic models are shipped upside down, whereas the Island models are shipped vertically. The OFYR® Concrete is packed straight up due to the heavy weight of the base.

#### WHAT WILL BE DELIVERED ALONG WITH YOUR OFYR® COOKING UNIT?

Your OFYR® cooking unit will be delivered in an Octabin and will consist of a base, a cone, and a cooking plate. If you have purchased an OFYR® Island, the package will also include a wooden block and a tool tray. We also supply a free spatula with every unit.

### 2. Cooking unit general information

#### WHAT ARE OFYR® COOKING UNITS MADE OF?

An OFYR® unit's cooking plate is made of steel. The bases and cones of the Classic models are made of Corten steel. The bases and cones of the Black models are made of coated steel. The base of the OFYR® Classic Concrete is made of heat resistant concrete.

#### IS MY OFYR® COOKING UNIT PORTABLE?

The OFYR® Classic models are delivered in three separate pieces and as such are easy to move. We recommend moving the cooking plate with two people. OFYR® Islands are delivered in five separate pieces. An Island unit's base is best lifted with 2 people.

#### CAN I LEAVE MY OFYR® COOKING UNIT OUTSIDE?

Your OFYR® cooking unit can be left outside in all weather conditions. The base and cone will continue to corrode and eventually turn dark brown. The cooking plate may start corroding over time as well if it is not oiled properly. We recommend oiling the cooking plate every 7 to 10 days while the OFYR® is not in use. The Black models can also be left outside; as long as the bases and cones of our Black models are not scratched, they will not corrode. Obviously the Concrete base will not corrode. The OFYR® Classic Concrete can also be left outside. Just the base will need to be treated with wax from time to time in order to keep it shiny.

#### HOW DO I CLEAN MY OFYR® COOKING UNIT?

We recommend oiling your OFYR® cooking plate once every 7 to 10 days, as described above. After you use your OFYR®, the leftover ashes must be removed to prevent the cone from clogging. Please note that the ashes will stay hot for a very long time; therefore, make sure to only store leftover ashes in fireproof containers, such as zinc buckets. Once the ashes have cooled down, they can be removed with a regular dustpan and brush and deposited into a regular waste bin.

#### CAN THE WOODEN ELEMENTS OF THE OFYR® PRODUCTS BE LEFT OUTSIDE?

All wooden elements of the OFYR® products are made of rubber wood. If they are exposed to moisture, the wood will warp. The outsides of the wooden surfaces can also begin to crack. For this reason, the wooden elements must be stored inside in a dry place after each use.

### 3. Setup of cooking units

#### **WILL MY OFYR® COOKING UNIT SHOW SIGNS OF CORROSION UPON DELIVERY?**

Yes, your OFYR® cooking unit's corrosion process will already have started upon delivery. As the unit stands outside, the corrosion process will continue.

#### **WHY DOES THE COOKING PLATE FEEL STICKY?**

The cooking plate was oiled before transport to protect it against corrosion forming.

#### **DO I NEED TO PLACE A PLATE UNDERNEATH MY OFYR® TO PROTECT THE SURFACE IT STANDS ON FROM FIRE DAMAGE?**

Water and ash may drain or drop down the hole in the OFYR® cooking unit's cone. This may cause light-toned surfaces to be permanently stained. To protect your surface, you can place a stone underneath the OFYR® cooking unit, place a fireproof bucket underneath, or place a steel plate in the base. The bottom of the base is not likely to heat up enough during average use to damage your surface. In spite of the precautions mentioned above, however, corrosive water may run down the OFYR® cooking unit and cause stains on light-toned surfaces. In the case of our Island and Storage models, the ashes are instead collected on the top plate.

#### **HOW DO I PREPARE MY OFYR® UNIT FOR ITS INITIAL USE?**

Use the method described in Chapter 3, 'Initial use'. Once the cooking plate has been prepped, your OFYR® cooking unit will be ready for its first cooking session. The food will stick to the cooking plate a little more at the beginning than after 2-3 uses. Similar to an old-fashioned cast-iron frying pan, a natural non-stick coating will develop over time, making for extremely enjoyable cooking.

#### **CAN OFYR® PRODUCTS BE MOVED WITH THEIR ADJUSTABLE FEET IN POSITION?**

No, they cannot, because the weight of the OFYR® cooking unit may cause the adjustable feet to bend or break and may damage the rivet nuts with which the adjustable feet are attached.

#### **CAN THE ADJUSTABLE FEET ON OFYR® PRODUCTS BE USED TO ADJUST THE HEIGHT LEVEL OF THE PRODUCTS CONSIDERABLY?**

No, the adjustable feet are solely intended to ensure that OFYR® cooking units can be made level when placed on uneven surfaces. The feet should not be extended by more than 10 mm, because OFYR® cooking units may then become unstable and the feet may bend or break.

.....

### 4. Usage

#### **HOW DO I LIGHT MY OFYR® COOKING UNIT?**

When you light your OFYR® cooking unit for the first time using the log cabin wood stacking method, it is important that you let a low fire burn in it for 25 minutes first, to allow the cooking plate to settle properly.

#### **HOW LONG WILL IT TAKE FOR THE OFYR® TO BE READY FOR COOKING?**

Once the OFYR® cooking unit has been lit, it will take between 25 to 45 minutes, depending on the weather conditions and the temperature outside, for the cooking plate to reach around 300°C on the inner edge and around 200°C on the outer edge.

**WHICH TYPE OF OIL SHOULD I USE?**

The first few times you light your OFYR® cooking unit, we recommend using olive oil. Olive oil has a lower combustion point, which will help the cooking plate get a nice brown-black hue. After the first few uses, you can start using natural oil types like sunflower oil and groundnut oil, which have higher combustion points.

**FOR HOW MANY PEOPLE CAN I COOK ON MY OFYR®?**

The OFYR® 100 cooking units allow you to cook for up to 50 people, depending on the type of food you are preparing. For the OFYR® 85 cooking units, the number of people you can cook for is 20 to 30 people.

**WHICH TYPE OF WOOD SHOULD I USE ON MY OFYR®?**

Various types of wood can be used on your OFYR® cooking unit. Experience has shown that oven-dried beech wood provides the best results, in part because it burns down to a mass of coals that keeps the cooking plate hot for a longer time and that can easily be shifted around. Ash wood has almost the same qualities. Oak works less well, because it produces a thinner type of ashes. Birch wood tends to burn up too quickly.

**HOW MUCH WOOD WILL MY OFYR® REQUIRE?**

Your OFYR® cooking unit will use up around two fully filled wood-carrying bags with a 50-litre capacity each on average, depending on the weather conditions and the type of wood.

**CAN I USE CHARCOAL INSTEAD OF WOOD?**

Yes, you can use charcoal as fuel for your OFYR® cooking unit. However, charcoal might not reach the same temperatures as fire wood.

**THERE ARE CHIPS ON MY COOKING PLATE; DOES THAT MEAN THE STEEL IS DAMAGED?**

Cooking on your OFYR® regularly will cause a layer of carbon residue to build up on the cooking plate. This layer might come off in some places when the OFYR® is not used for a while, resulting in chips forming. These chips can simply be scraped off using the spatula. Then, just rub on a new layer of oil; a smooth carbon residue layer will gradually build up once again.

**MY COOKING PLATE BECAME CONVEX DURING THE INITIAL USE, SO NOW THE FAT RUNS OFF AT THE OUTSIDE EDGE. WHAT SHOULD I DO?**

During manufacturing, OFYR® cooking plates were pressed down slightly in the middle, and they are further pressed down slightly when first heated. In very rare cases, the cooking plate may bulge upwards and become convex. If this happens, please contact your dealer.

---

## 5. Additional OFYR® products

**ARE THERE ANY OFYR® COVERS AVAILABLE?**

Yes, there are two types of covers for every model. Our Ø50cm and Ø60cm snuffers are intended for extinguishing fire, whereas our Ø85cm and Ø100cm covers are intended to protect the cooking plate of the OFYR® 85 and 100 model when not in use for an extended period of time. The Ø85cm and Ø100cm covers do not protect against corrosion because humidity can build between the cooking plate and the cover.

## OFYR® HANDBUCH

VIELEN DANK FÜR DEN KAUF EINES OFYR®-PRODUKTS. DIESES HANDBUCH ENTHÄLT INSTALLATIONSANWEISUNGEN, GARANTIEBEDINGUNGEN UND ZUSÄTZLICHE INFORMATIONEN ZU IHRER OFYR®-KOCHHEINHEIT.

### ALLGEMEINE INFORMATIONEN ZUR KOCHHEINHEIT

Unsere Kocheinheiten werden in zwei Arten aufgeteilt: OFYR Classics und OFYR Islands, welche beide modular aufgebaut sind. Hiernach besteht ein Produkt aus verschiedenen, separaten Elementen. Dazu gehören Sockel, ein Kegel und eine Kochplatte. Außerdem werden alle OFYR-Kochgeräte in speziellen achteckigen Verpackungseinheiten, nachfolgend Oktabinbehälter genannt, geliefert um einen optimalen Transport zu gewähren. **Abb.1 - OFYR®-Kocheinheiten**

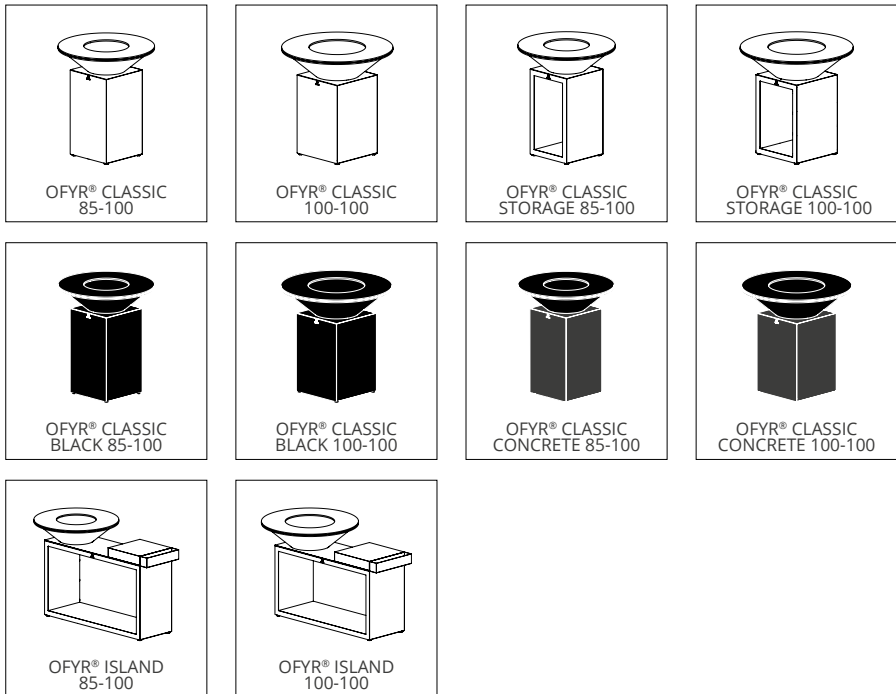


Abb.1 - OFYR®-Kocheinheiten

### TRANSPORT/VERSAND DER KOCHHEINHEITEN

Versandt werden der OFYR Classic, Storage, Black 85-100 und Black 100-100 mit dem „Kopf“ nach unten, um Stabilität zu gewährleisten. Hierzu muss gesagt werden, dass unsere OFYR Black-Produkte mit einer zusätzlichen Schicht Verpackungsmaterial geliefert werden, um diese etwas sensibleren Produkte vor Beschädigungen während des Transports zu schützen. (siehe Abb. 2 und Abb. 3). Des Weiteren werden die OFYR® Island 85-100 und 100-100 in einem speziellen Island-Oktabinbehälter (siehe Abb. 2 und Abb. 3) vertikal versandt. Der OFYR® Concrete wird aufgrund der Schwere seines Sockels aufrechtstehend versandt.

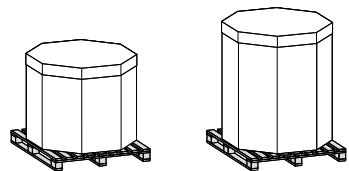


Abb.2 - OFYRs verpackt in einem Oktabinbehälter

## AUFBAU/INSTALLATION DER KOCHHEINHEIT

Auf der Außenseite des Oktabinbehälters finden Sie eine Anleitung zum Auspacken Ihrer OFYR®-Kochinheit. Bitte beachten Sie, dass alle Kochheinheiten genau so aufgebaut werden müssen, wie in dieser Aufbauanleitung beschrieben! Wir haften nicht für Schäden, die durch den falschen Aufbau einer OFYR®-Kochinheit entstehen.

### SOCKET & KEGEL

Zunächst muss der Sockel auf eine feuerfeste Oberfläche gestellt werden. Hierbei sollten aufgrund ihres beträchtlichen Gewichts die OFYR Island Modelle und der OFYR Concrete von zwei Personen aufgebaut werden. Falls die Oberfläche, auf der der OFYR stehen soll, nicht ebenerdig ist, können Sie die verstellbaren Füße des OFYR dazu nutzen, ihn auszurichten. Dabei sollten Sie beachten, dass der OFYR zur Instabilität neigt falls die Füße zu weit ausgefahren werden. Daher raten wir einen maximalen Höhenunterschied von zehn Millimetern nicht zu überschreiten (ggf. mit Unterlag Plättchen arbeiten). Wenn der Sockel nun aufgestellt ist, müssen Sie den Kegel gleichmäßig in das Loch des Sockels setzen. Sobald die OFYR Kochinheit aufgestellt ist, darf sie nicht mehr verschoben werden. Das Verschieben könnte zu Schäden an den Stellfüßen führen. Wir übernehmen keine Haftung für Schäden, die durch das Verschieben ihres OFYRS entstanden sind. Es ist zu beachten, dass der OFYR Classics Black beschichtet ist, weshalb er gegenüber Beschädigungen während des Aufbaus empfindlicher ist. Wir haften nicht für jegliche Schäden oder Folgeschäden, die sich aus dem Aufbau der OFYR Kochinheit ergeben.

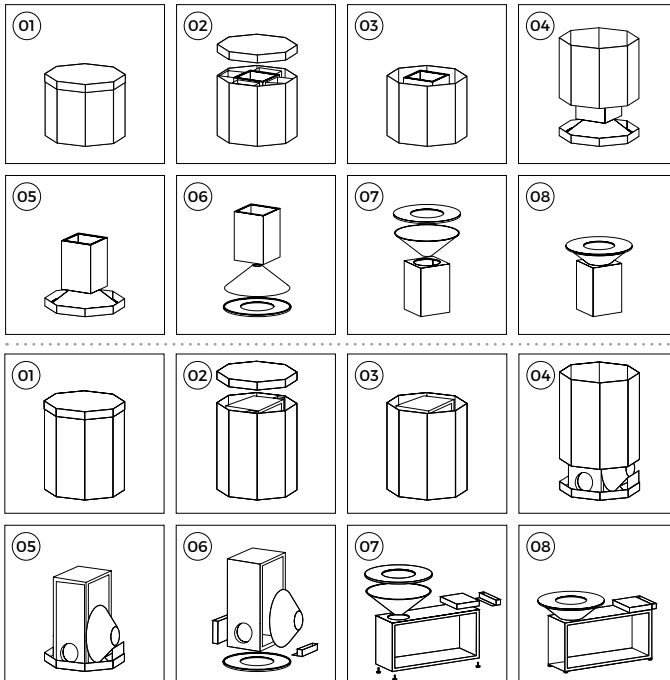


Abb.3 - Wie man die OFYRs entpackt

## KOCHPLATTE

Um die Bildung von Abnutzungsspuren am Kochplattenrand zu vermeiden, empfehlen wir, die Kochplatte während des Transports nicht zu rollen, außerdem sollte die Kochplatte aufgrund ihres hohen Gewichts von zwei Personen angehoben werden. Sie können diese an der dicken Außenkante und an der Innenkante festhalten. Wenn Sie die Kochplatte auf den Kegel aufsetzen, empfehlen wir, dass zwei Personen die innere Kante des Oberteils halten und über dem Kegel positionieren, bis sie einrastet. Wenn die Kochplatte nicht gleichmäßig auf den Kegel passt, drehen Sie diese solange, bis sich der Ring über dem Kegel befindet und sauber auf diesen liegt.

*Bitte beachten Sie: Wir empfehlen die Verwendung von Handschuhen beim Aufstellen der Kochplatte.*

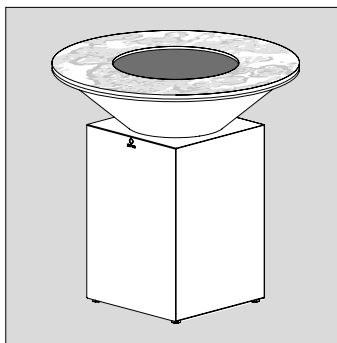
*Bitte achten Sie auch darauf, Ihre Kleidung nicht zu verschmutzen.*

---

## VERWENDUNG

### 01 NUR DRAUSSEN VERWENDEN

Alle OFYR®-Kochgeräte sind so konstruiert, dass sie bei jedem Wetter draußen stehen können. Der Sockel und der Kegel unserer OFYR® Classic/Classic Storage und Island-Kocheinheiten bestehen aus Cortenstahl und weisen bereits Korrosionsspuren auf, sobald sie ausgeliefert werden. Diese Korrosion schützt den OFYR vor Rost und vollständiger Durchrostung. Der Korrosionsprozess ist jedoch möglicherweise noch nicht vollständig fortgeschritten, was bedeutet, dass die Farbe der Einheit sich im Laufe der Zeit ändern wird. Bitte beachten Sie, dass während der ersten Monate etwas korrosives Wasser über den Sockel und den Kegel fließen und dabei die Oberfläche beschädigen kann, auf der das Gerät



**Abb. 4 - Übermäßige Korrosion der Kochplatte**

steht. Wir haften nicht für Schäden, die aus di Es ist wichtig, dass Sie die Kochplatte regelmäßig sowohl an der Oberfläche als auch am Rand mit Öl behandeln. Die Kochplatte besteht aus Stahl und korrodiert, sofern sie nicht mit Öl behandelt wird. Sobald sich das Öl richtig eingebrannt hat, kommt es nur noch zu geringer Korrosion. Insofern die Kochplatte längere Zeit nicht benutzt worden ist, empfehlen wir, sie alle 7-10 Tage mit Öl zu behandeln, um eben diese Korrosion zu vermeiden. Entstandene Korrosion kann mit sogenannter Stahlwolle entfernt werden. Im Falle von übermäßiger Korrosion (siehe Abb. 4) empfehlen wir, die Oberfläche mit einer an einer Bohrmaschine befestigten Drahtbürste (Bürsten aus Messing oder Kupfer sind ideal) zu polieren. Es empfiehlt sich, die Kochplatte zuvor zu erwärmen, da dieses Vorgehen die Korrosionsschicht lockert. Sobald die Kochplatte gründlich poliert wurde, können Sie die Polierückstände mit einem Tuch abwischen. Wenn Sie die Kochplatte nun mit etwas Öl behandeln, sieht sie wieder aus wie neu. Die Sockelplatte des Kegels enthält ein Loch, um

Regenwasser abfließen zu lassen. Damit der Kegel nicht verstopft, empfehlen wir, die Asche nach jedem Gebrauch aus dem Kegel zu entfernen. (Heiße) Asche kann auch durch das Loch in die Sockelplatte fallen, was Sie berücksichtigen sollten, wenn Sie eine Oberfläche zum Aufstellen Ihrer OFYR®-Kocheinheit auswählen. Wir empfehlen in die OFYR Classic Säulen einen passenden kleinen Metallimer, mit ca. 1/5 Wasser gefüllt, zu stellen. In diesen kann dann heiße Glut oder Asche fallen. Bei unseren Island- und Storage- Modellen wird die Asche stattdessen auf der oberen Platte gesammelt. Bei diesen Modellen besteht die Möglichkeit zum Entfernen der Asche darin, den Kegel und die Kochplatte vom Sockel hochzuheben, sodass das Regenwasser abfließen kann. Das Loch in der Sockelplatte dient keinem anderen Zweck als mithilfe der Luftzufuhr sicherzustellen, dass die Feuerglut nicht zum Erlöschen kommt. Außerdem wurde der Betonsockel mit Wachs behandelt, um die Oberfläche glänzend aussehen zu lassen.

## 02 HOLZ

Ein optimales Ergebnis liefert ofengetrocknetes Buchen Holz, da es einerseits sehr wenig Rauch produziert und sich andererseits leichter entzünden lässt. Um das Holz richtig zu entzünden, sollten Sie die Holzscheite zu einem Turm aufschichten. Hierbei legen Sie zwei Holzscheite parallel nebeneinander mit einem Abstand von ca. der Länge der Holzstücke welche dann im Wechsel um 90° auf die erste Lage aufgelegt werden. Dies wiederholen Sie 3-4-mal und entzünden den entstandenen Stapel mit Hilfe von 1 – 2 wachsgetränkten Holzwolke Anzündern. Hierbei sollte die Rinde der Holzscheiten nach außen zeigen, um die Rauchbildung zu vermeiden. Ofengetrocknetes Buchenholz eignet sich am besten, da es zu gleichmäßige Glut abbrennt, welche die Kochplatte optimal aufheizt. Diese Masse kann auch leicht verschoben werden, falls Sie die Hitze an einer anderen Stelle benötigen. Insofern Sie zum schon brennenden Feuer weiteres Holz nachlegen, kommt es in der Regel zu einer Rauchbildung bis das Holz richtig zu brennen angefangen hat. Diese Rauchentwicklung kann größtenteils durch die Verwendung unseres Buffadoo- Blasrohres, aus dem OA- B OFYR Bufadoo Set, vermieden werden. Sie blasen damit Sauerstoff in das Feuer hinein, wodurch das neu hinzugegebene Holz fast augenblicklich Feuer fängt.

Ein weiterer Punkt ist die ideale Größe des Holzes. Diese beträgt pro Holzstück ca. 10x30 cm. Größere Holzstücke sollten vermieden werden, da diese dazu tendieren, schnell Feuer zu fangen im Nachhinein aber aufgrund des mangelnden Platzes im Kegel nicht richtig zu verbrennen. Die Tatsache, dass kleinere Holzstücke bevorzugt werden sollten, trifft vor allem auf unsere 85-100. Für einen Kochabend (etwa vier bis fünf Stunden) benötigen Sie etwa zwei Holzsäcke von jeweils ca. 50 Litern Fassungsvermögen, abhängig auch von der Außentemperatur und den Wetterbedingungen.

## 03 ERSTER GEBRAUCH

Bei der ersten Verwendung ist es wichtig, ein kleineres Feuer für ungefähr 30 Minuten zu entfachen, damit sich die Kochplatte richtig setzen kann. Während der Produktion wird die Mitte der Kochplatte bereits leicht heruntergedrückt. Wird die Kochplatte erhitzt, drückt sie sich noch weiter nach unten. Ein zu starkes Erhitzen bzw. ein zu großes Feuer bei der Erstverwendung Ihrer OFYR®-Kochplatte kann dazu führen, dass sich die Kochplatte bei einem späteren Gebrauch zu weit nach unten drückt. Es ist von enormer Wichtigkeit, die Kochplatte nach dem oben beschriebenen Verfahren richtig vorzubereiten. In einigen sehr seltenen Fällen kann sich die Kochplatte stattdessen in der Mitte nach oben wölben und dadurch eine konvexe Form annehmen (siehe Abb. 5). Das bedeutet, dass der Stahl auf eine falsche Art und Weise belastet worden ist. In diesem Fall wenden Sie sich bitte an Ihren OFYR Partnerhändler. Wenn Sie mit Hilfe von falschem Holz wie z.B. Hartholz aus der Bauindustrie ein zu heißes Feuer entfachen, kann dies zur vollständigen Verkrümmung der Kochplatte führen (siehe Abb. 6). Für hieraus resultierende Schäden übernehmen wir keine Gewährleistungsansprüche. Alle OFYR®-Kochplatten werden während der Herstellung zum Schutz vor Korrosion mit Öl behandelt. Sobald Sie die Kochplatte mit Hilfe eines kleinen Feuers korrekt vorbereitet haben, können Sie damit beginnen, ein größeres Feuer zu entfachen. Unter Berücksichtigung der Tatsache, dass die Oberteile der OFYR® Kochplatten 12 mm dick sind, benötigen Sie ein großes Feuer, um sie vollständig zu erhitzen.

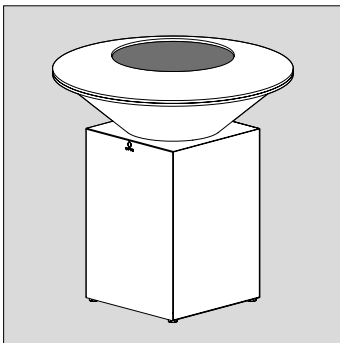


Abb. 5 - Nach oben gewölbte Kochplatte

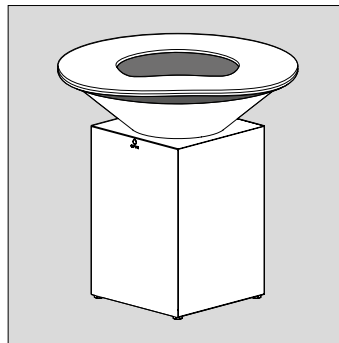


Abb. 6 - Verzogene Kochplatte durch die Verwendung von falschem Holz

Sobald sich die Kochplatte erhitzt hat, kann sie vollständig aufgeheizt werden. Träufeln Sie zum diesem Zweck Olivenöl auf die Kochplatte und verteilen Sie es mit einem Küchentuch. Führen Sie diesen Schritt 2-3 Mal durch. Dann die Kochplatte mit dem beigefügten Spatel abkratzen und die Abschabungen ins Feuer schieben. Dieser beigefügte professionelle Spatel wurde ausschließlich für den idealen Umgang mit dem OFYR entwickelt.

Zu Beginn wird die Kochplatte eine schwarze Substanz abgeben. Einfach den OFYR noch ein paar Mal mit Olivenöl einreiben, das Öl gleichmäßig verteilen und die Kochplatte abkratzen. Sobald Sie nur noch helle Substanzen abkratzen können, ist die Kochplatte sauber und zum Einsatz bereit. Danach noch einmal Olivenöl auftragen, erhitzen und Sie können mit Zubereitung beginnen. Wir empfehlen Ihnen während der ersten Benutzungen Olivenöl zu verwenden, denn dieses hat einen geringeren Brennwert (Rauchpunkt), was es der Kochplatte erleichtert, einen schönen braun-schwarzen Farbton zu erhalten. Nach den ersten Anwendungen können Sie dann Öle mit einem höheren Brennwert (Rauchpunkt) wie z. B. Sonnenblumen- oder Erdnussöl verwenden. Wenn Sie das Öl in die Kochplatte einbrennen lassen, schützt es den OFYR ebenfalls vor Korrosion. Insofern die Kochplatte längere Zeit nicht benutzt worden ist, trocknet das Öl heraus und die Kochplatte kann anfangen zu korrodieren, sobald es regnet. Um zu verhindern, dass sich solche Korrosion bildet, lesen Sie Kapitel 01, „Nur Draußen verwenden“.

#### 04 KOCHEN/GRILLEN

Je nach Witterung und Außentemperatur dauert es zwischen 25 - 45 Minuten, bis die Kochplatte am inneren Rand eine Temperatur von etwa 300 ° C und am äußeren Rand von etwa 200 ° C erreicht. Um diese Temperaturen erreichen zu können, ordnen sie das Holz mit der oben beschriebenen Methode an. Sobald Ihr anfängliches Feuerholz richtig zu brennen begonnen hat, verteilen Sie die heiße Masse unter den Kanten der Kochplatte und fügen Sie neues Holz mit der Rinde nach oben hinzu.

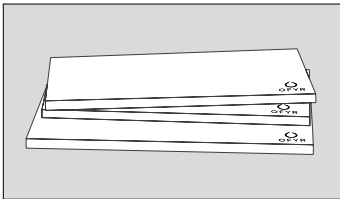


Abb. 7 - Zedernholzplanken

Wiederholen Sie den Vorgang für den gesamten Zeitraum, in dem Sie die Kochplatte warmhalten möchten. Sie werden feststellen, dass es im Herbst und Winter viel mehr Holz braucht, um die Kochplatte warm zu halten als im Frühling und Sommer. Wenn es zu einer Brise kommt, ist die Kochplatte dort am wärmsten, wo der Wind die OFYR®-Kochinheit verlässt, d.h. in die Richtung des Windes. Sie können diesen Effekt kompensieren, indem Sie mehr heiße Holzglut in die entgegengesetzte Richtung schieben. Sobald die Kochplatte beginnt sich zu erhitzen, müssen Sie diese zuerst mit dem Spatel abkratzen und dann mit einem geölten Tuch einreiben. Wenn die Kochplatte heiß genug ist, können Sie auf den gewünschten Bereich etwas Öl geben. Wenn die

Kochplatte trocken und matt aussieht, müssen Sie zusätzliches Öl hinzugeben, um sicherzustellen, dass die Kochplatte immer ausreichend eingefettet ist. Beim Grillen von Fisch und Gemüse ist mehr Öl erforderlich als beim Grillen von Fleisch mit hohem Fettanteil. Es besteht auch die Möglichkeit, dickere Fleisch- und Fischstücke auf eine Holzplatte aus Zedernholz zu legen, sodass das Produkt sehr langsam gart. Wenn Speisereste auf der Kochplatte zurückbleiben, schieben Sie diese einfach mit dem Spatel ins Feuer. Reiben Sie die Kochplatte außerdem häufig mit einem geölten Tuch ab. Es empfiehlt sich, darauf zu achten, dass keine dicke Rückstandsschicht bildet, da diese schwer zu entfernen ist. Wenn Sie mit dem Kochen/ Grillen fertig sind, reinigen Sie die Kochplatte ein letztes Mal nach dem oben beschriebenen Verfahren. Solange die Platte noch lauwarm ist, reiben Sie sie noch einmal mit Öl ein. Dies stellt sicher, dass sie ordnungsgemäß geschützt wird. Weitere Koch-/Grilltechniken und Tipps finden Sie auf unserem OFYR®-YouTube-Kanal und/oder auf unserer Webseite [www.OFYR.com](http://www.OFYR.com). Wenn Sie oft auf Ihrem OFYR grillen, wird sich auf der Platte eine glatte Schicht aus Kohlenstoffrückständen bilden, die für einen sehr angenehmen Nutzkomfort sorgt. Von Zeit zu Zeit kann sich diese Schicht etwas ablösen. Wenn dies geschieht, können Sie die abgeplatzten Stellen einfach abkratzen und die Platte erneut mit Öl einreiben. Die Kohlenstoffrückstandsschicht bildet sich nach und nach wieder von selbst. mit neuem Öl ein. Die Kohlenstoffrückstandsschicht erneuert sich auf diese Weise wieder von selbst.



## 05 DAS FEUER LÖSCHEN

Der beste Weg ist es, das Feuer selbst ausgehen zu lassen. Bitte beachten Sie, dass Asche und Kochplatte lange nach dem Gebrauch noch heiß sind. Eine weitere Möglichkeit besteht darin, die OFYR®-Kocheinheit mit einem der optionalen Löschedeckeln (Snuffer) (Ø50 und Ø60 cm Durchmesser) abzudecken, um das Feuer zu löschen. Wenn Sie ein OFYR®-Island-Modell besitzen, empfehlen wir, dass Sie aus hygienischen Gründen nach der Reinigung der Kochplatte auch die hölzerne Arbeitsfläche reinigen. Diese Arbeitsflächen sollten nicht über Nacht oder im Regen stehen gelassen werden. Bitte beachten Sie, dass Sie Feuer niemals mit Wasser löschen sollten!

## 06 INSTANDHALTUNG

OFYR®-Kocheinheiten sind recht wartungsarm. Wie bereits erwähnt, kann es auf Ihrer präparierten Kochplatte zu Korrosion kommen, falls Sie Ihre OFYR®-Kocheinheit längere Zeit nicht benutzt haben. Diese Korrosion kann jedoch leicht entfernt werden. Wenn Sie Ihre Kochplatte nicht richtig vorbereiten, kann es jedoch zu großflächiger Korrosion kommen. Wenn dies geschehen ist, sollten Sie eine Drahtbürste verwenden, um die Korrosion zu beseitigen, wie in Kapitel 01, „Nur Draußen verwenden“ beschrieben.

## 07 ISLAND

Die Holzbretter des OFYR Island müssen von Hand gereinigt werden und dürfen nicht mit ätzenden Substanzen behandelt oder in der Spülmaschine gereinigt werden. Nach der Reinigung empfehlen wir, sie an einem trockenen Ort mit niedriger Luftfeuchtigkeit zu lagern. Große Temperaturunterschiede können dazu führen, dass sich das Holz verzieht. Wir raten dringend davon ab, diese Holzbretter draußen zu lagern. Bitte beachten Sie, dass Holz ein Naturprodukt ist und sich immer leicht verziehen kann. Wir haften nicht dafür, wenn sich das Holz aufgrund von falscher Behandlung verzieht.

# HAFTUNGSAUSSCHLÜSSE

## 01 KORROSION

Mit Ausnahme der Kochplatte, der verstellbaren Füße, der Scharniere, Schrauben und der Magnete unter dem Holz sind alle Stahlelemente der OFYR®-Kollektion aus Cortenstahl gefertigt worden. Cortenstahl ist eine besondere Art von Stahl, der sehr schnell korrodiert und gerade diese Art von Korrosion schützt vor Rostdurchbruch. Wenn Sie der Natur freien Lauf lassen, dauert es je nach Standort und Luftfeuchtigkeit 6-12 Monate bis diese Stahlelemente aus Cortenstahl korrodieren. Im Gegensatz zu vielen anderen Herstellern von Corten-Stahlprodukten bieten wir unseren Käufern Produkte mit einem zusätzlichen Service an, nämlich dass der Korrosionsprozess bereits zu der Zeit beginnt an dem diese ausgeliefert werden. Abhängig von ihrem Standort und der Luftfeuchtigkeit dauert es noch weitere 3-6 Monate, bis sich die Korrosion in die richtige Korrosionsschutzschicht verwandelt. Dies garantiert zu Beginn jedoch keine vollkommen glatte Korrosionsschicht, und stellt kein Mangel dar oder Grund zur Reklamation. Schließlich korrodieren die Produkte im Laufe der Zeit unter dem Einfluss des Wetters auf natürliche Art und Weise. Weil die Korrosion immer noch als sehr oberflächlich zu betrachten ist, können die Corten-Stahlelemente orangefarbene Flecken auf Kleidung, Haut und Oberflächen verursachen. Bei Regen kann korrodierendes Wasser auch von diesen Elementen hinunterlaufen. Helle Steine oder Holzoberflächen können sich dauerhaft verfärben. Unter normalen Umständen entwickelt sich der Cortenstahl allmählich zu einer glatten und dunkelbraunen Korrosionsschicht, die nicht absplittert. Diese Schicht kann jedoch stellenweise in der Nähe des Meeres oder der Küste aufgrund des hohen Salzgehaltes an solchen Orten ablösen. Das Ablösen verursacht keinen Schaden, aber diese Bereiche müssen entfernt werden, um zu verhindern, dass es zu Beschädigungen auf der Oberfläche kommt, auf welche die OFYR®-Kocheinheit aufgesetzt wird. Wir haften nicht für Folgeschäden.

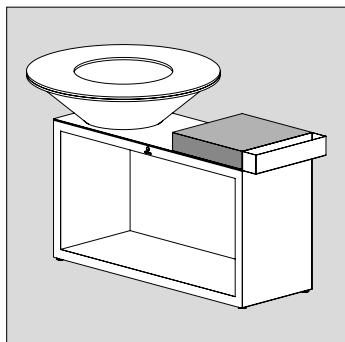


Abb. 8 - Holzbretter

## 02 HOLZBRETTER

Zu einigen OFYR®-Produkten gehören Holzbretter, die als Sitz- oder Arbeitsfläche verwendet werden können. (Siehe Abb. 8) Keine dieser Holzbretter sollte für längere Zeit draußen gelagert werden. Feuchtes Wetter kann dazu führen, dass diese sich verziehen oder reißen. Wir empfehlen daher, diese Bretter nach jedem Gebrauch an einem trockenen Ort aufzubewahren. Die Arbeitsflächen können als Schneidebretter, sollten aber nicht als Hackblöcke verwendet werden. Wenn scharfe oder schwere Gegenstände verwendet werden, um eine große Kraft auf diese Oberflächen auszuüben, werden diese irreparabel beschädigt. Die Arbeitsflächen der Butcher Blocks (Metzgerblöcke) 45-45-88 und der OFYR® Island 85-100 sind von identischer Größe. Die Arbeitsflächen, die mit den Butcher Blocks ausgeliefert werden haben magnetische Füße, welche zusammen mit dem OFYR® Island 85-100 ausgeliefert werden haben Nylonfüße. Die

Butcher Blocks Arbeitsflächen sind nicht für den Einsatz auf der OFYR® Island 85-100 geeignet, da Magnetfüße leitfähig sind. Die Leitwärme kann dazu führen, dass sich das Holz verzieht. Wir übernehmen weder Garantie noch Haftung für Schäden, die durch die falsche Verwendung der Holzelemente entstehen. Bitte beachten Sie, dass Sie OFYR®-Produkte mit Holzelementen nicht direkt neben einer Wärmequelle platzieren sollten. Dazu gehören auch unsere Kocheinheiten, da die Hitze das Holz beschädigen oder verziehen kann.

---

## 03 VERSTELLBARE FÜSSE FÜR DIE OFYR® KOCH-EINHEITEN, BUTCHER BLOCKS, HOCKER UND DRESSOIR

Sobald die OFYR®-Kocheinheiten, die Butcher Blocks, die Hocker, die Bank und das Dressoir aufgebaut worden sind, können die verstellbaren Füße dazu verwendet werden, Höhenunterschiede des Bodens auszugleichen. Um die Betriebssicherheit zu gewähren, empfehlen wir die Stellfüße nicht weiter als 10 mm auszudrehen. Sollten Sie größere Unterschiede ausgleichen müssen, verwende Sie bitte entsprechende Unterlag Plättchen. Wir übernehmen keine Haftung für die unsachgemäße Verwendung der verstellbaren Füße. Sobald die OFYR®-Kocheinheit, die Butcher Blocks (Metzgerblöcke), der Hocker, die Bank und das Dressoir aufgestellt worden sind, dürfen sie nicht verschoben werden. Durch das Verschieben können die Stellfüße und/oder die Nietmuttern beschädigt werden, an denen die Füße befestigt sind. Wir übernehmen weder Garantie noch Haftung für Schäden, die durch das Verschieben oder das Bewegen der OFYR®-Kocheinheit, der Butcher Blocks (Metzgerblöcke), des Hockers, der Bank und des Dressoirs entstehen.

---

## 04 NICHT IN ABGESCHLOSSENEN RÄUMEN VERWENDEN

Keines der OFYR®-Kocheinheiten ist für den Einsatz in teilweise oder vollständig abgeschlossenen Räumen geeignet. Eine solche Verwendung kann zu einem Übermaß an gefährlichen Dämpfen führen, die eine Kohlenmonoxidvergiftung zur Folge haben kann.

---

## 05 KEINEN REINEN ALKOHOL, BENZIN ODER ANDERE CHEMISCHE SUBSTANZEN VERWENDEN

Die Verwendung von reinem Alkohol, Benzin oder anderen chemischen Substanzen beim Anzünden von Feuer ist sehr gefährlich und kann Auswirkungen auf die Speisen auf der Kochplatte haben. Wir haften nicht für gesundheitliche Probleme, die sich aus der Verwendung chemischer Substanzen beim Anzündvorgang der OFYR®-Kocheinheit ergeben. Stellen Sie außerdem sicher, dass der Bereich um Ihre OFYR® Kocheinheit frei von leicht entflammaren Materialien ist.

## 06 LASSEN SIE IHREN OFYR® NICHT UNBEAUFICHTIGT

Bitte beachten Sie, dass Sie Ihre OFYR®-Kocheinheit niemals unbeaufsichtigt lassen sollten. Halten Sie zudem Kinder und Haustiere davon fern.

## 07 GARANTIEBEDINGUNGEN PRO ELEMENT

Für das Material und sämtliche Stahlelemente aller OFYR®-Kocheinheiten gilt für den Erstkäufer oder Eigentümer eine eingeschränkte lebenslange Garantie, sofern diese ihre Einheit bei einem Lizenz-Händler erworben und die Garantie in der erforderlichen Art und Weise registriert haben. Bitte registrieren Sie Ihre OFYR® Produkte unter [www.ofyr.club.com](http://www.ofyr.club.com)

	B2C	B2B
KOCHPLATTE	5 JAHRE	3 JAHRE
CORTEN-STAHLPDUKTE (NICHT DER KEGEL)	5 JAHRE	3 JAHRE
KEGEL	3 JAHRE	1 JAHR
BESCHICHTETE PRODUKTE	2 JAHRE	1 JAHR
BETONPRODUKTE	2 JAHRE	1 JAHR
HOLZBRETTER	2 JAHRE	1 JAHR
SYNTHETISCHE TEILE	2 JAHRE	1 JAHR
METALLTEILE	2 JAHRE	1 JAHR

Fig. 9 - Warranty Terms

### **WARNUNG!**

- **Der OFYR® erhitzt sich stark!**
- **Verwenden Sie den OFYR® nicht im Innenbereich!**
- **Halten Sie Kinder und Haustiere fern!**
- **Verwenden Sie keinen Spiritus oder Benzin zum Anzünden oder zum Wiederentfachen!**
- **Verwenden Sie nur Anzündhilfen nach EN 1860-3!**

## FAQ'S

### 1. Transport/Versand der Kocheinheiten

#### WIE WIRD IHRE OFYR®-KOCEINHEIT VERSANDT?

Ihre OFYR®-Kochgeräte werden in speziellen achteckigen Verpackungseinheiten geliefert, Oktabinbehälter genannt. Der OFYR® Classic-Modelle werden kopfüber geliefert, während die Island-Modelle vertikal geliefert werden. Der OFYR® Concrete wird aufgrund der Schwere seines Sockels aufrechtstehend versandt.

#### WAS ERHALTE ICH BEI LIEFERUNG ZUSÄTZLICH ZU MEINER OFYR® KOCEINHEIT?

Ihre OFYR® Kocheinheit wird in einem Oktabinbehälter auf Holz- Einwegpalette geliefert und besteht aus einem Sockel, einem Kegel und einer Kochplatte. Falls Sie eine OFYR® Island erworben haben, enthält die Lieferung auch einen Holzblock und einem Einsatz (Cortenstahl) für Kräuter. Bei jeder Einheit wird auch ein kostenloser Spatel mitgeliefert.

.....

### 2. Allgemeine Informationen zur Kocheinheit

#### WORAUS BESTEHEN DIE OFYR® KOCEINHEITEN?

Die Kochplatte einer OFYR®-Einheit besteht aus Stahl. Der Sockel und der Kegel der Classic-Modelle sind aus Cortenstahl gefertigt. Der Sockel und der Kegel der Black-Modelle sind aus beschichtetem Stahl gefertigt. Der Sockel der OFYR® Classic Concrete besteht aus hitzebeständigem Beton.

#### IST MEINE OFYR®-KOCEINHEIT PORTABEL?

Die OFYR® Classic-Modelle werden in drei separaten Teilen geliefert und sind daher leicht zu bewegen. Die Kochplatte sollte aufgrund ihres hohen Gewichts von zwei Personen bewegt werden und nie gerollt werden um Beschädigungen zu vermeiden. Die OFYR® Island wird in fünf separaten Teilen geliefert. Der Sockel einer Island-Einheit kann am einfachsten von zwei Personen angehoben werden.

#### KANN ICH MEINE OFYR®-KOCEINHEIT DRAUSSEN STEHEN LASSEN?

Ihre OFYR®-Kocheinheit kann bei jedem Wetter draußen stehen bleiben. Der Sockel und der Kegel korrodieren, bei den Classic-Modellen, kontinuierlich bis sie schließlich dunkelbraun geworden sind. Die Kochplatte kann auch mit der Zeit korrodieren, wenn sie nicht richtig eingefettet worden ist. Wir empfehlen, die Kochplatte alle 7 bis 10 Tage einzufetten, wenn der OFYR® nicht in Gebrauch ist.

Die Black-Modelle können ebenfalls draußen verbleiben; solange der Sockel und der Kegel unserer Black-Modelle nicht verkratzt worden sind, korrodieren diese nicht. Der Betonsockel der Concrete kann nicht korrodieren. Der OFYR® Classic Concrete kann ebenfalls draußen stehen bleiben. Nur der Sockel muss von Zeit zu Zeit eingewachst werden, damit er seinen Glanz behält.

#### WIE REINIGE ICH MEINE OFYR®-KOCEINHEIT?

Wir empfehlen, Ihre OFYR®-Kochplatte alle 7 bis 10 Tage, wie oben beschrieben, einzufetten. Nach Gebrauch des OFYR® muss die Restasche entfernt werden, damit der Kegel nicht verstopft. Bitte beachten Sie, dass die Asche sehr lange heiß ist; daher sollten Sie darauf achten, dass die Asche nur in feuerfesten Behältern wie z. B. Zinkeimern aufbewahrt wird. Sobald sich die Asche abgekühlt hat, kann sie mit einer normalen Kehrschaufel und Bürste oder einem Kaminstaubsauger entfernt werden und entsorgt werden.

### **KÖNNEN DIE HOLZELEMENTE DER OFYR® PRODUKTE DRAUSSEN GELAGERT WERDEN?**

Alle Holzelemente der OFYR®-Produkte sind aus verleimtem Holz. Werden sie der Feuchtigkeit ausgesetzt, verzieht sich das Holz. Die Außenseiten der Holzoberflächen können auch brechen. Aus diesem Grund müssen die Holzelemente nach jedem Gebrauch an einem trockenen Ort gelagert werden.

---

## **3. Aufbau/Installation der Kocheinheit**

### **WIRD MEINE OFYR® KOCEINHEIT ANZEICHEN VON KORROSION NACH DER LIEFERUNG HABEN?**

Ja, der Korrosionsprozess Ihrer OFYR®-Kocheinheit hat bereits bei Lieferung begonnen. Da die Einheit draußen steht, setzt sich der Korrosionsprozess auf natürliche Weise fort.

### **WARUM FÜHLT SICH DIE KOCHPLATTE KLEBRIG AN?**

Die Kochplatte wurde vor dem Transport eingefettet, um sie vor Korrosion zu schützen.

### **MUSS ICH EINE PLATTE UNTER MEINEN OFYR® STELLEN, UM DEN UNTERGRUND, AUF DER ER STEHT, VOR BESCHÄDIGUNGEN DURCH DAS FEUER ZU SCHÜTZEN?**

Wasser und Asche können aus dem Loch im Kegel der OFYR®-Kocheinheit herauslaufen oder hinunterfallen. Dies kann zu einem hellen Farbton und zu dauerhaften Flecken auf Oberflächen führen. Um Ihren Untergrund zu schützen, können Sie eine Steinplatte oder eine Stahlplatte unter den Sockel der OFYR®-Kocheinheit stellen. Wir empfehlen in die OFYR Classic Säulen einen passenden kleinen Metalleimer, mit ca. 1/5 Wasser gefüllt, zu stellen. In diesen kann dann heiße Glut oder Asche fallen. Der Boden des Sockels wird sich höchstwahrscheinlich, im Rahmen einer durchschnittlichen Verwendung, nicht genügend erhitzen, um den Untergrund beschädigen zu können. Trotz der oben genannten Vorsichtsmaßnahmen kann aus der OFYR®-Kocheinheit Korrosionswasser herauslaufen und Flecken auf hellen Oberflächen verursachen. Bei den Island- und Storage-Modellen wird die Asche stattdessen auf der oberen Platte gesammelt.

### **WIE BEREITE ICH MEINE OFYR®-EINHEIT FÜR DEN ERSTEN EINSATZ VOR?**

Verwenden Sie die in Kapitel 3, „Erster Gebrauch“, beschriebene Vorgehensweise. Sobald die Kochplatte vorbereitet wurde, steht Ihre OFYR®-Kocheinheit zum Einsatz bereit. Das Essen wird am Anfang noch etwas häufiger an der Kochplatte haften bleiben als nach 2-3 weiteren Anwendungen. Ähnlich wie eine altmodische Gusseisenpfanne entwickelt sich im Laufe der Zeit eine natürliche Antihafbeschichtung. Das erleichtert das Kochen und führt zu einem tollen und besonderen Grillerlebnis.

### **KÖNNEN DIE OFYR®-PRODUKTE MIT HILFE IHRER VERSTELLBAREN FÜSSEN AN EINE ANDERE STELLE BEWEGT WERDEN?**

Nein, das ist nicht möglich. Das Gewicht der OFYR®-Kocheinheit kann dazu führen, dass sich die Stellfüße verbiegen oder abbrechen, es können die Nietmutter beschädigt werden, an denen die Stellfüße befestigt sind.

### **KANN MAN MIT HILFE DER VERSTELLBAREN FÜSSE BEI DEN OFYR®-PRODUKTEN DIE HÖHE DES GERÄTS EINFACH EINSTELLEN?**

Nein, die verstellbaren Füße dienen ausschließlich dazu, dass die OFYR®-Kocheinheiten auf unebenen Oberflächen waagrecht ausgerichtet werden. Die Füße sollten nicht mehr als 10 mm ausgefahren werden. Ansonsten neigen die OFYR®-Kocheinheiten zur Instabilität und die Füße verbiegen sich oder brechen.

---

## 4. Gebrauch

### **WIE ENTZÜNDE ICH MEINE OFYR®-KOCHHEINHEIT?**

Wenn Sie Ihre OFYR®-Kochheinheit zum ersten Mal mit Hilfe der Holzhütten-Holzstapelmethode anzünden, ist es wichtig, dass Sie zuerst 25 Minuten lang die Glut niedrig halten, damit sich die Kochplatte richtig setzt.

### **WIE LANGE DAUERT ES, BIS DER OFYR® EINSATZBEREIT ZUM KOCHEN/GRILLEN IST?**

Je nach Witterung und Außentemperatur dauert es zwischen 25 und 45 Minuten, bis die Kochplatte am inneren Rand eine Temperatur von etwa 300 ° C und am äußeren Rand von etwa 200 ° C erreicht.

### **WELCHE ART VON ÖL SOLLTE ICH VERWENDEN?**

Die ersten Male, wenn Sie Ihre OFYR®-Kochheinheit verwenden, empfehlen wir die Verwendung von Olivenöl. Olivenöl hat einen geringeren Brennwert (Rauchpunkt), welcher es der Kochplatte erleichtert, einen schönen braun-schwarzen Farbton zu erhalten. Nach den ersten Anwendungen können Sie Öle mit einem höheren Brennwert (Rauchpunkt) wie z. B. Sonnenblumen- oder Erdnussöl verwenden.

### **FÜR WIE VIELE MENSCHEN KANN ICH MIT MEINEM OFYR® GRILLEN/KOCHEN?**

Im Fall der OFYR® 100-Kochheinheit können Sie je nach Art der zubereiteten Speisen bis zu 50 Personen kochen. Im Fall der OFYR® 85-Kochheinheit können 20 bis 30 Personen bewirtet werden.

### **WELCHE HOLZART SOLLTE ICH FÜR MEINEN OFYR® VERWENDEN?**

Verschiedene Holzarten können bei Ihrer OFYR®-Kochheinheit verwendet werden. Die Erfahrung zeigt, dass ofengetrocknetes Buchenholz zu den besten Ergebnissen führt, zum einen, weil es zu einer gleichmäßigen Glut verbrennt, welche für eine längere Hitze der Kochplatte sorgt, und zum anderen, auf einfache Art und Weise verteilt werden kann. Eschenholz hat fast die gleichen Eigenschaften. Eiche hingegen ist weniger geeignet, weil es kleine Glutstücke und eine dünnere Art von Asche produziert. Birkenholz neigt dazu, zu schnell zu verbrennen und hat eine nicht so große Effizienz.

### **WIE VIEL HOLZ BENÖTIGT MEIN OFYR®?**

Für einen Kochabend (4-5 Stunden) benötigen Sie etwa zwei Holzsäcke von jeweils ca. 50 Litern, abhängig von der Außentemperatur und den Wetterbedingungen.

### **KANN ICH HOLZKOHLE STATT HOLZ VERWENDEN?**

Ja, Sie können Holzkohle als Brennstoff für Ihre OFYR®-Kochheinheit verwenden. Allerdings erreicht Holzkohle nicht die gleichen Temperaturen wie Feuerholz.

### **AUF MEINER KOCHPLATTE SIND KRATZER ZU FINDEN; HEISST DAS, DASS DER STAHL BESCHÄDIGT WORDEN IST?**

Wenn Sie Ihre OFYR®-Kochheinheit häufig benutzen, bildet sich auf dem Grilloberteil eine glatte Schicht aus Kohlenstoffrückständen die sogenannte Patina. Diese Schicht kann an manchen Stellen abplatzen, falls der OFYR® nicht für eine längere Zeit in Gebrauch ist und sich Spuren der Abnutzung bilden. Diese abgeplatzten Stellen können einfach mit einem Spatel entfernt werden. Tragen Sie dann eine neue Fettschicht auf; auf diese Art und Weise bildet sich eine glatte Patina von neuem.

**MEINE KOCHPLATTE HAT SICH BEI DER ERSTEN VERWENDUNG VERZOGEN, SODASS DAS FETT NUN AN DER AUSSENKANTE HERUNTERLÄUFT. WAS SOLL ICH MACHEN?**

Während der Herstellung wird die Mitte der OFYR®-Kochplatte leicht heruntergedrückt. Diese drückt sich weiter nach unten, sobald die Platte zum ersten Mal erhitzt wird. In einigen Fällen kann sich die Kochplatte stattdessen in der Mitte nach oben wölben und dadurch eine konvexe Form annehmen. In so einem Fall kontaktieren Sie bitte Ihren Partnerhändler, bei dem Sie das Produkt erworben haben.

.....

## **5. Weitere Produkte von OFYR®**

**GIBT ES NOCH ANDERE OFYR®-ABDECKUNGEN?**

Ja, es gibt zwei Arten von Abdeckungen für jedes Modell. Unsere Ø50 cm und Ø60 cm Abdeckungen (Löschdeckel) sind zum Löschen der Feuerstelle vorgesehen, während unsere Ø85 cm und Ø100 cm Abdeckungen die Kochplatte der OFYR® 85 und der 100 schützen sollen, wenn diese länger nicht in Gebrauch sind. Die Abdeckungen Ø85 cm und Ø100 cm schützen jedoch nicht vor Korrosion, weil sich Feuchtigkeit zwischen der Kochplatte und der Abdeckung bilden kann.

## MODE D'EMPLOI OFYR®

NOUS VOUS REMERCIONS D'AVOIR ACHÉTÉ UN PRODUIT OFYR®. CE MANUEL COMPORTE DES INSTRUCTIONS D'INSTALLATION, DES CONDITIONS DE GARANTIE ET DES INFORMATIONS ADDITIONNELLES À PROPOS DE VOTRE UNITÉ DE CUISSON OFYR®.

### INFORMATIONS GÉNÉRALES SUR L'UNITÉ DE CUISSON

Les unités de cuisson OFYR® sont des produits modulaires composés de divers éléments distincts comprenant un socle, une vasque, et une plaque de cuisson. Toutes les unités de cuisson OFYR® sont expédiées dans des conditionnements spécifiques octogonaux. Nos unités de cuisson peuvent être divisées en 2 types :

OFYR® Classics et OFYR® Islands. (Voir Fig.1 Unités de cuisson)

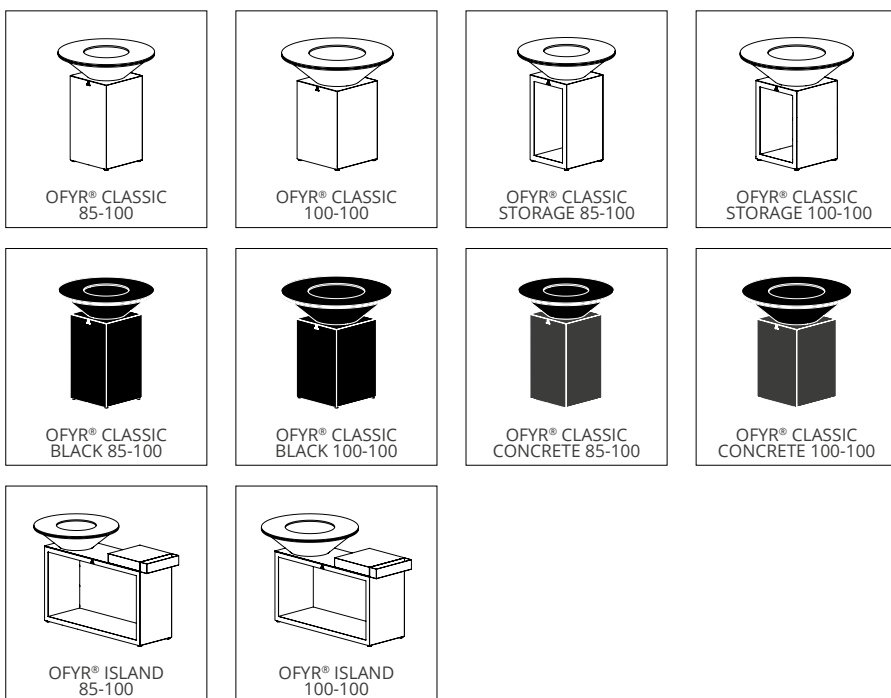


Fig.1 - Unités de cuisson

### TRANSPORT/CONDITIONNEMENT DES UNITÉS DE CUISSON

Les OFYR® Classic, Classic Storage et Classic Black 85-100 et 100-100 sont expédiés la tête en bas (voir fig. 2 et fig.3). Nos produits OFYR® Black sont enveloppés dans une couche d'emballage supplémentaire afin de prévenir tout dommage au cours du transport. Les OFYR® Island 85-100 et 100-100 sont expédiés à la verticale dans des bacs octogonaux spéciaux (Island Octabins, voir fig. 2 et fig.3). L'OFYR® Classic Concrete est conditionné droit à cause du lourd poids du socle.

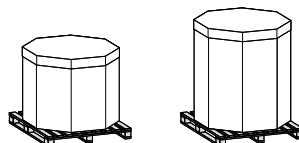


Fig.2 - OFYR conditionnés dans un Octabin



## INSTALLATION DES UNITÉS DE CUISSON

L'extérieur de l'Octabin présente une explication sur la manière de déballer votre unité de cuisson OFYR®. Veuillez noter que toutes les unités de cuisson doivent être installées exactement comme expliqué dans le mode d'emploi ! Nous ne sommes pas responsables pour tout dommage découlant de tentatives d'installation incorrectes d'unités de cuisson OFYR®.

### SOCLE ET VASQUE

Placez tout d'abord le socle sur une surface ininflammable. Pour nos modèles OFYR® Island et OFYR® Concrete, nous recommandons de placer le socle à deux, étant donné leur poids considérable. Placez ensuite la vasque dans le trou du socle à niveau. Si votre surface n'est pas entièrement à niveau, vous pouvez utiliser les pieds réglables du socle pour vous assurer qu'elle le soit. Veuillez noter que si les pieds réglables sont trop étendus, l'unité OFYR® peut devenir instable. Nous recommandons une différence maximale de niveau de 10 mm. Si la différence de niveau dépasse 10 mm, nous recommandons de mettre la surface à niveau avant d'installer l'unité de cuisson OFYR®. Une fois que l'unité de cuisson OFYR® a été installée, elle ne doit pas être déplacée. Son déplacement pourrait endommager les pieds réglables et/ou les écrous à rivets avec lesquels les pieds réglables sont fixés. Nous n'acceptons aucune réclamation ou responsabilité en vertu de la garantie pour tout dommage résultant du déplacement de votre unité de cuisson OFYR®. Veuillez noter que l'OFYR® Classic Black a un revêtement et est donc plus sensible aux dommages pendant le montage. Nous ne pourrions être tenus pour responsables pour tout dommage ou dommage consécutif résultant de l'installation de votre unité de cuisson OFYR®. Nos modèles OFYR® Island comportent des plans de travail en bois sur la droite. Ces surfaces disposent de pieds en nylon bloquant toute conduction thermique depuis le haut du socle de l'Island, et sont à placer à distance maximale de la vasque. Le socle contient une seconde partie haute, et il y a un trou de quelques millimètres entre le socle et la partie haute. À l'avant à droite, derrière ou sur le côté du socle, cet espace peut être utilisé pour y insérer le bac à épices.

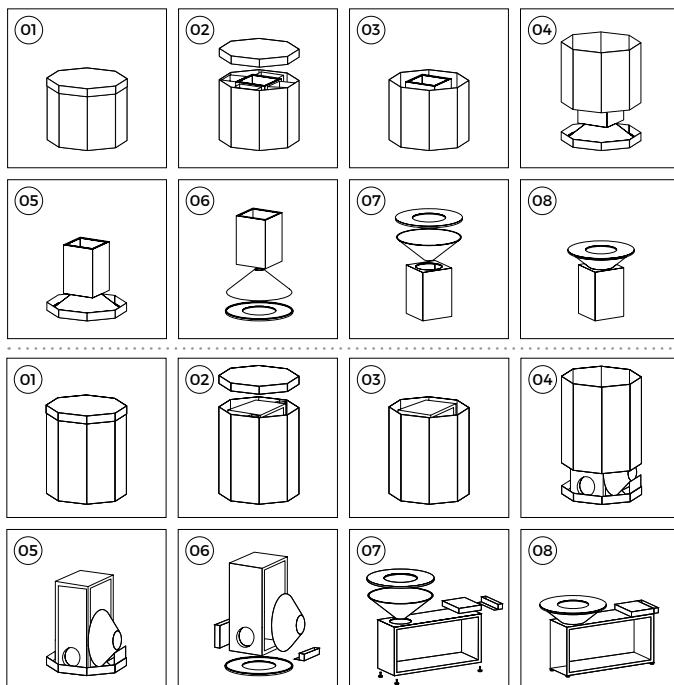


Fig.3 - Procédure de déballage de l'OFYR®

## PLAQUE DE CUISSON

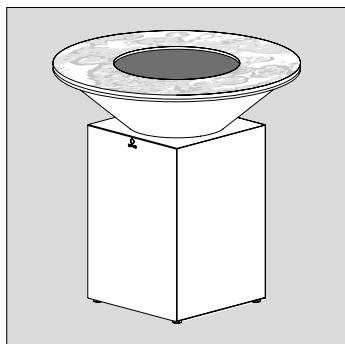
Afin de prévenir la formation de bavures sur les bords de la plaque de cuisson, nous vous recommandons de ne pas faire rouler la plaque de cuisson pendant le transport, car des bavures peuvent se former ce qui peut empêcher de bien racleur avec une spatule. Nous recommandons de soulever la plaque de cuisson à 2 personnes, à cause de son poids considérable. Vous pouvez la tenir en utilisant le bord externe épais ainsi que le bord interne. Lors du placement de la plaque de cuisson sur la vasque, nous recommandons que 2 personnes tiennent le bord intérieur du dessus et le positionnent au-dessus de la vasque jusqu'à ce qu'il s'enclenche en position. Si la plaque de cuisson ne s'adapte pas à niveau sur la vasque, vous pouvez la tourner jusqu'à ce que son anneau se fixe sur la vasque.

*Veillez noter : nous recommandons l'utilisation de gants lors du placement de la plaque de cuisson.  
Faites également attention à ne pas tacher vos vêtements*

## UTILISATION

### 01 TOUJOURS À L'EXTÉRIEUR

Toutes les unités de cuisson OFYR® sont conçues pour rester à l'extérieur, par tous les temps. Le socle et la vasque de nos unités de cuisson OFYR® Classic et Classic Storage et Island sont en acier Corten et montreront déjà des signes de corrosion à leur arrivée. Le processus de corrosion peut ne pas s'être déjà déroulé entièrement, ce qui signifie que la couleur de l'unité changera dans le temps au fur et à mesure que le processus de corrosion progresse. La couche naturelle de corrosion protège contre les perforations dues à la rouille. Veuillez noter que de l'eau corrosive peut couler le long du socle et de la vasque au cours des premiers mois et endommager la surface sur laquelle se tient l'unité. Nous ne sommes



*Fig. 4 - Excessive corrosion on cooking plate*

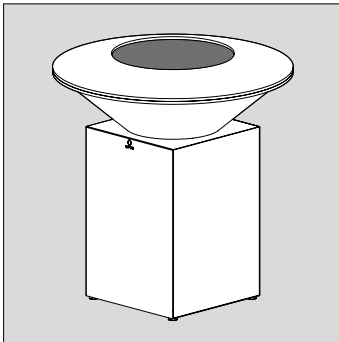
pas responsables de tout dommage résultant de cette eau corrosive. Il est important que vous traitiez régulièrement la plaque de cuisson avec de l'huile végétale, à la fois sa surface et son bord. La plaque de cuisson est en acier et se corrodera si l'on ne l'imprègne pas d'huile dès l'achat, si elle reste à l'extérieur. Une fois que l'huile a bien été chauffée dessus, seule une corrosion mineure peut se développer. Lorsque la plaque de cuisson n'est pas utilisée pendant de plus longues périodes, nous recommandons de la traiter avec de l'huile tous les 7 à 10 jours afin de prévenir la corrosion. Toute corrosion se développant peut être retirée en utilisant de la paille de fer. En cas de corrosion excessive (voir fig. 4), nous recommandons de polir sa surface avec une brosse métallique fixée sur une mèche. Il est préférable de chauffer la plaque de cuisson au préalable, car cela détachera la couche de corrosion. Une fois que la plaque de cuisson a bien été polie, vous pourrez essuyer le résidu de polissage avec un chiffon. Une fois que vous traitez la plaque de cuisson avec de l'huile, elle sera à nouveau comme neuve. Le fond de la vasque comporte un trou pour permettre à l'eau de pluie de s'écouler. Afin de prévenir l'obstruction de la vasque, nous recommandons de retirer les cendres de la vasque après chaque utilisation. Des cendres (chaudes) peuvent également tomber sur le sol, à travers le trou de la vasque. Vous devez prendre en compte cette possibilité lorsque vous choisissez une surface pour y placer votre unité de cuisson OFYR®. Vous pouvez placer un seau en acier avec de l'eau, dans le socle (Modèle Classic uniquement). Dans le cas de nos modèles Island et Classic Storage, les cendres sont déjà recueillies sur la plaque supérieure du socle. Pour ces modèles, vous enlevez les cendres en soulevant la vasque et la plaque de cuisson pour les retirer du socle, afin de s'assurer que l'eau de pluie puisse s'écouler. Le trou dans la vasque a également pour autre objectif de servir d'alimentation en air, afin de s'assurer que le feu reste allumé. Le socle en béton du modèle Classic Concrete Co a été traité avec de la cire afin de rendre la surface brillante.

## 02 BOIS

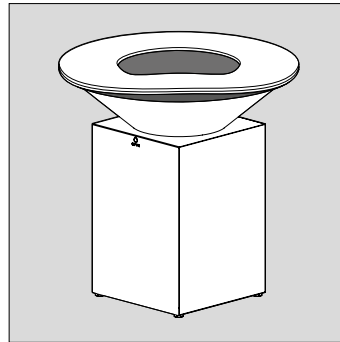
Pour un confort utilisateur optimal, nous recommandons l'utilisation de bois séché à l'étuve afin de prévenir la formation de fumée pendant la cuisson. De plus, du bois séché à l'étuve est plus facile à allumer. Empilez les morceaux de bois deux par deux, comme si vous construisiez une cabane en rondins, l'écorce vers l'extérieur afin de prévenir encore la formation de fumée. Le bois de hêtre séché à l'étuve est le meilleur, car il brûle complètement en un tas de charbon qui chauffe la plaque de cuisson de manière optimale. Il est facile de déplacer ce tas de charbon si vous voulez diriger la chaleur quelque part. Lorsque vous allumez le feu et que vous ajoutez du bois dans le feu, il fumera généralement un peu avant de bien s'enflammer. Vous pouvez empêcher l'essentiel de cette formation de fumée en utilisant notre OFYR® Buffadoo pour insuffler de l'oxygène sur le feu, en faisant ainsi en sorte que le nouveau bois s'enflamme presque instantanément. La taille idéale des morceaux de bois est d'environ 10 x 30 centimètres. Nous conseillons de ne pas utiliser de morceau de bois plus gros. Ils ont tendance à s'enflammer rapidement mais ne brûlent généralement pas bien à cause du manque de place pour l'oxygène dans la vasque. Les plus petits morceaux de bois sont en particulier préférables pour nos modèles 85-100, encore plus que pour nos modèles 100-100. Pour une soirée de cuisson (usage de 4 à 5 heures), vous aurez besoin d'avoir à disposition deux sacs de bois de 50 litres chacun, en fonction de la température extérieure et des conditions météorologiques.

## 03 PREMIÈRE UTILISATION

Lors de la première utilisation, il est important d'allumer un plus petit feu pendant environ 30 minutes afin de permettre à la plaque de cuisson de bien se fixer. Au cours de la fabrication, la plaque de cuisson a été légèrement pressée. Lorsque la plaque de cuisson sera chauffée, elle appuiera encore plus, et si vous allumez un feu trop important au cours de votre première utilisation de votre unité de cuisson OFYR®, cela peut entraîner une trop forte pression sur la plaque de cuisson au cours d'une utilisation ultérieure. Il est très important de préparer la plaque de cuisson correctement en utilisant



*Fig. 5 - Plaque de cuisson convexe sur le dessus*



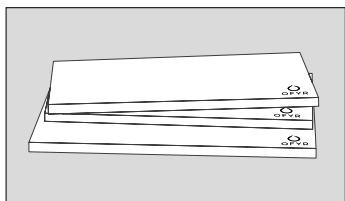
*Fig. 6 - Plaque de cuisson tordue à cause de l'utilisation de bois inadapté*

la procédure soulignée ci-dessus. Dans certains cas, la plaque de cuisson peut gonfler sur le dessus au milieu et devenir ainsi convexe (voir fig. 5). Cela signifie que l'acier est soumis à une contrainte inadéquate. Si cela se produit, veuillez contacter votre revendeur. Si vous allumez un feu trop important en utilisant du bois qui atteint des températures très importantes, comme le type de bois dur qui est utilisé dans la construction, cela peut engendrer une déformation complète de la plaque de cuisson (voir fig. 6). Nous n'acceptons aucune demande de garantie pour tout dommage résultant d'une utilisation incorrecte. Toutes les plaques de cuisson OFYR® sont traitées avec de l'huile au cours de la fabrication pour protéger contre la corrosion. Une fois que vous avez préparé correctement la plaque de cuisson en utilisant un petit feu, vous pouvez commencer à faire un feu plus important. En tenant compte du fait que les plaques de cuisson de dessus OFYR® font 12 mm d'épaisseur, il faut un feu assez important pour qu'elles soient chauffées correctement. Une fois que la plaque de cuisson est chauffée pour cuire, versez dessus un filet d'huile d'olive et étalez-le à l'aide d'un torchon. Faites cela 2 à 3 fois.

Grattez ensuite la plaque de cuisson à l'aide de la spatule fournie et poussez les déchets dans le feu. Nous proposons également une spatule professionnelle dans notre gamme de produit pour une utilisation intensive dans un environnement professionnel. La plaque de cuisson dégagera initialement une substance noire. Versez simplement un filet d'huile d'olive dessus une fois de plus, étalez l'huile, et raclez la plaque de cuisson. Une fois que vous ne parvenez plus à raclez que des déchets beiges, la plaque de cuisson est propre et prête à être utilisée. Versez simplement un filet d'huile d'olive dessus une fois de plus et étalez, puis commencez à faire cuire ! Nous recommandons d'utiliser de l'huile d'olive les 2-3 premières fois où vous utilisez votre unité de cuisson OFYR®. L'huile d'olive possède un point de combustion moins important, ce qui aide la plaque de cuisson à obtenir une belle teinte brun-noir. Après les premières utilisations, vous pouvez commencer à utiliser des types d'huile présentant des points de combustion plus élevés, telles que de l'huile de tournesol ou d'arachide. Le fait de chauffer de l'huile sur la plaque de cuisson la protège également de la corrosion. Toutefois, si la plaque de cuisson n'est finalement pas utilisée pendant des périodes prolongées, l'huile séchera et la plaque de cuisson commencera à se corroder lorsque le temps sera humide. Afin de prévenir la formation d'une telle corrosion, veuillez vous référer au chapitre 1, « Toujours à l'extérieur ».

#### 04 CUISSON

Il faudra 25 à 45 minutes, en fonction des conditions météorologiques et de la température extérieure, pour que la plaque de cuisson atteigne une température d'environ 300°C sur le bord intérieur et d'environ 200°C sur le bord extérieur. Pour cela, faites un feu en utilisant la méthode de la cabane en bois mentionnée ci-dessus. Une fois que votre bois de chauffe initial brûle bien, dispersez le tas chaud sous les bords de la plaque de cuisson et ajoutez du bois l'écorce vers le haut. Répétez le processus pendant toute la durée pendant laquelle vous souhaitez garder la plaque de cuisson chaude.



*Fig. 7 - Planchettes de bois de cèdre*

Vous remarquerez qu'il faudra bien plus de bois pendant l'automne et l'hiver pour garder la plaque de cuisson chaude que pendant le printemps et l'été. S'il y a beaucoup de vent, la chaleur sera plus intense là où le vent quitte la plaque de cuisson, c'est-à-dire dans le sens du vent. Vous pouvez compenser cela en poussant davantage de charbons chauds dans la direction opposée. Une fois que la plaque de cuisson commence à chauffer, vous devez d'abord la raclez en utilisant la spatule, puis la frotter avec un torchon huilé. Une fois que la plaque de cuisson est assez chaude pour faire cuire, ajoutez de l'huile là où vous prévoyez de placer les aliments. Lorsque la plaque de cuisson commence

à sembler sèche et mate, vous devrez ajouter de l'huile, afin de vous assurer que la plaque de cuisson soit suffisamment graissée. Vous devrez ajouter plus d'huile lorsque vous ferez cuire du poisson et des légumes que lorsque vous ferez cuire des viandes grasses. Vous pouvez également utiliser des planchettes en bois de cèdre (voir fig.7) pour y placer des morceaux de viande ou de poisson plus épais après avoir saisi l'extérieur, afin de leur permettre de cuire lentement. S'il reste des résidus d'aliments sur la plaque de cuisson, poussez-les simplement dans le feu en utilisant la spatule. Frottez fréquemment la plaque de cuisson avec un chiffon huilé, et elle sera à nouveau comme neuve. Nous recommandons de ne pas laisser une épaisse couche de résidus s'accumuler, car elle sera difficile à enlever. Il est préférable de raclez fréquemment la plaque de cuisson. Une fois que vous êtes habitués à votre unité de cuisson OFYR®, cela deviendra facilement une habitude. Lorsque vous avez terminé de cuire, nettoyez la plaque de cuisson une dernière fois en utilisant la procédure exposée ci-dessus, et si elle est encore tiède après cela, frottez-la encore une fois avec de l'huile. Cela assure qu'elle sera bien protégée et prête pour la prochaine fois. Pour plus de techniques et conseils de cuisson, consultez notre chaîne YouTube OFYR®, et/ou notre site Internet, [www.ofyr.com](http://www.ofyr.com). Si vous utilisez beaucoup votre unité de cuisson OFYR®, une fine couche de résidu de carbone s'accumulera sur le dessus de la plaque, la rendant encore plus facile et confortable à utiliser. Cette couche peut se retirer ici et là de temps à autre. Lorsque vous remarquez qu'elle se détache à certains endroits, raclez simplement les éclats en utilisant la spatule, et frottez avec de l'huile neuve. La couche de résidu de carbone se renouvellera de cette manière.

## 05 ÉTEINDRE LE FEU

La meilleure manière est de laisser le feu s'éteindre de lui-même. Veuillez noter que les cendres et la plaque de cuisson peuvent rester chaudes longtemps après l'utilisation. Une autre possibilité est de couvrir l'unité de cuisson OFYR® avec l'un des étouffoirs en option (50 ou 60 cm de diamètre) afin d'éteindre le feu. Veuillez noter que vous ne devez jamais éteindre le feu en utilisant de l'eau ! Si vous avez un OFYR® Island, nous recommandons qu'après avoir nettoyé la plaque de cuisson, vous nettoyez également les plans de travail en bois, pour des raisons d'hygiène. Ces plans de travail ne doivent pas être laissés dehors toute la nuit ou sous la pluie. Veuillez noter que vous ne devez jamais éteindre le feu en utilisant de l'eau !

---

## 06 ENTRETIEN

Les unités de cuisson OFYR® nécessitent relativement peu de maintenance. Comme précisé précédemment, de la corrosion peut se créer sur votre plaque de cuisson si vous n'utilisez pas votre unité de cuisson OFYR® pendant une période prolongée, mais cette corrosion peut être enlevée facilement. Si vous ne préparez pas votre plaque de cuisson correctement, la corrosion peut être importante et vous devrez utiliser une brosse métallique pour enlever la corrosion, comme expliqué dans le chapitre 1, « Toujours à l'extérieur ».

---

## 07 ISLAND

Le plan de travail en bois doit être nettoyé à la main et ne doit pas être traité avec des substances corrosives ou nettoyé au lave-vaisselle. Après l'avoir nettoyé, nous vous recommandons de le stocker à l'intérieur, dans un endroit sec avec peu d'humidité. D'importantes différences de températures peuvent engendrer une déformation du bois. Nous déconseillons fortement de laisser cette planche en bois à l'extérieur. Veuillez noter que le bois est un produit naturel (bois de caoutchouc) et est toujours susceptible de se déformer quelque peu. Nous ne sommes pas responsables de toute déformation du bois qui pourrait se produire.

---

# CLAUSES DE NON-RESPONSABILITÉ

## 01 CORROSION

À l'exception de la plaque de cuisson, des pieds réglables, des charnières, des vis et des aimants sous les plans de travail en bois, tous les éléments en acier de la collection OFYR® sont en acier Corten. L'acier Corten est un type d'acier qui se corrode très rapidement, et c'est précisément cette corrosion qui le protège des perforations dues à la rouille. Si vous laissez la nature suivre son cours, il faudra 6 à 12 mois pour que ces éléments en acier Corten se corrodent, en fonction de l'endroit où ils se trouvent et du taux d'humidité. Contrairement à de nombreux fabricants de produits en acier Corten, nous fournissons aux acheteurs de nos produits, un service supplémentaire en nous assurant que le processus de corrosion ait déjà commencé au moment où nos produits sont livrés. En fonction de leur emplacement et du niveau d'humidité, il faudra encore 3 à 6 mois pour que cette corrosion superficielle se transforme en une véritable couche de corrosion. Toutefois, cela ne garantit pas une couche de corrosion entièrement régulière. Par conséquent, tous les produits en acier Corten qui se sont moins corrodés que d'autres à la livraison ne peuvent pas faire l'objet d'un remplacement. Après tout, ils se corroderont naturellement avec le temps sous l'influence des conditions météorologiques. Tant que la corrosion reste superficielle, les éléments en acier Corten peuvent causer des taches orange sur les vêtements, la peau, et la surface sur laquelle ils se trouvent. Lorsqu'il pleut, de l'eau corrosive peut également s'écouler le long de ces éléments, ce qui peut tacher de manière permanente des surfaces en bois ou en pierre de couleur claire. Dans des conditions normales, l'acier Corten développera une couche régulière, brun foncé de corrosion qui ne s'écaillera pas. Toutefois, cette couche peut s'écailler dans des endroits se situant près de la mer ou du littoral à cause des importants niveaux de salinité dans de tels endroits. L'écaillage n'engendrera pas de dommages, mais la corrosion écaillée doit être retirée afin de prévenir la formation de corrosion sur la surface sur laquelle l'unité de cuisson OFYR® est placée. Nous n'acceptons aucune responsabilité pour tout dommage résultant de la corrosion de nos produits. Surface sur laquelle ils se trouvent. Lorsqu'il pleut, de l'eau corrosive peut également s'écouler le long de ces éléments, ce qui peut tacher de manière permanente des surfaces en bois ou en pierre de couleur claire.

---

Dans des conditions normales, l'acier Corten développera une couche régulière, brun foncé de corrosion qui ne s'écaillera pas. Toutefois, cette couche peut s'écailler dans des endroits se situant près de la mer ou du littoral à cause des importants niveaux de salinité dans de tels endroits. L'écaillage n'engendrera pas de dommages, mais la corrosion écaillée doit être retirée afin de prévenir la formation de corrosion sur la surface sur laquelle l'unité de cuisson OFYR® est placée. Nous n'acceptons aucune responsabilité pour tout dommage résultant de la corrosion de nos produits.

## 02 PLANCHES EN BOIS

Certains produits OFYR® comprennent des planches en bois de caoutchouc. (Voir fig. 8). Aucune de ces planches ne doit être laissée à l'extérieur pendant des périodes prolongées. Un temps humide peut les faire se déformer ou se fissurer. Nous vous recommandons par conséquent de stocker ces planches dans un endroit sec après chaque utilisation.

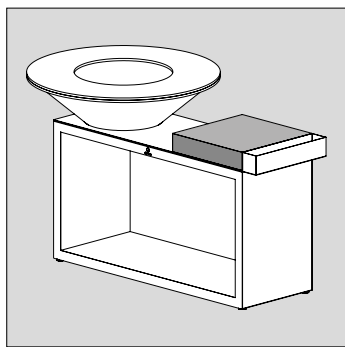


Fig. 8 – Planche en bois / Plan de travail

Nous ne recommandons pas de les laisser dehors la nuit, étant donné que le temps peut alors avoir tendance à être humide. Les plans de travail peuvent être utilisés comme planches à découper, mais pas comme billots. Si des objets tranchants ou lourds venaient à être utilisés pour exercer une force importante sur ces surfaces, celles-ci seraient irrémédiablement endommagées. Les plans de travail fournis avec les Butcher Block 45-45-88 et l'OFYR® Island 85-100 font la même taille. Les plans de travail fournis avec les Butcher Blocks ont des pieds magnétiques et ceux fournis avec l'OFYR® Island 85-100 ont un pied en nylon. Les plans de travail ne sont pas adaptés pour être utilisés sur l'OFYR® Island 85-100 car les pieds magnétiques sont conducteurs, et que la chaleur conduite pourrait engendrer une déformation du bois. Nous ne pourrions être tenus pour responsables pour tout dommage résultant d'une utilisation incorrecte des planches en bois. Veuillez noter que vous ne devez pas placer des produits OFYR® avec des éléments en bois directement près de toute source de chaleur

## 03 PIEDS RÉGLABLES SUR LES UNITÉS DE CUISSON, LES BUTCHER BLOCK, ET LES WOOD STORAGE HOCKER, BENCH ET DRESSOIR

Une fois que les unités de cuisson, les Butcher block, les Wood Storage Hocker, Bench et Dressoir OFYR® ont été installés, les pieds réglables peuvent être utilisés pour les mettre à niveau. Nous recommandons d'utiliser ces pieds pour régler la hauteur globale de nos unités de cuisson et d'autres unités, car les unités de cuisson, les Butcher block, les Wood Storage Hocker, Bench et Dressoir peuvent devenir instables si les pieds réglables sont prolongés de plus de 10 mm. Nous ne pourrions être tenus pour responsables de tout dommage résultant d'une mauvaise utilisation des pieds réglables. Une fois que les unités de cuisson, les Butcher block, les Wood Storage Hocker, Bench et Dressoir OFYR® ont été installés, ils ne doivent pas être déplacés. Leur déplacement pourrait endommager les pieds réglables ou les écrous à rivets avec lesquels les pieds sont fixés. Nous n'acceptons pas les demandes de prise en charge par la garantie ni aucune responsabilité pour tout dommage résultant du déplacement de ces éléments.

## 04 NE PAS UTILISER DANS DES ESPACES FERMÉS

Aucune des unités de cuisson OFYR® n'est adaptée à une utilisation dans des espaces partiellement ou entièrement fermés. Une telle utilisation peut causer un excès de fumées dangereuses pouvant engendrer un empoisonnement au monoxyde de carbone.

## 05 NE PAS UTILISER D'ALCOOL, DE PÉTROLE OU AUTRE SUBSTANCE CHIMIQUE PURE

L'utilisation d'alcool, de pétrole ou d'autre substance chimique pure est très dangereuse lors de l'allumage du feu et peut affecter les aliments sur la plaque de cuisson. Nous ne pouvons être tenus pour responsables de tout problème de santé résultant de l'utilisation de substances chimiques lors de l'allumage de votre unité de cuisson OFYR®. Veuillez en outre vous assurer que l'espace autour de votre unité de cuisson OFYR® ne présente pas de matériaux hautement inflammables.

## 06 NE LAISSEZ PAS VOTRE OFYR® SANS SURVEILLANCE

Veuillez noter que vous ne devez jamais laisser votre unité de cuisson OFYR® sans surveillance et tenir également les enfants et animaux de compagnie éloigné de l'unité de cuisson.

## 07 CONDITIONS DE GARANTIE SELON L'ÉLÉMENT

Une garantie limitée s'applique au matériel et à la construction de tous les éléments en acier des unités de cuisson OFYR® pour les acheteurs ou propriétaires d'origine, à condition qu'ils aient acheté leur unité auprès d'un revendeur agréé et conservé la facture, qui fait office de garantie. Pour le bon enregistrement de vos produits OFYR, rendez-vous sur [www.ofyr.club](http://www.ofyr.club).

	PARTICULIERS	PROFESSIONNELS
PLAQUE DE CUISSON	5 ANS	3 ANS
PRODUITS EN ACIER CORTEN (HORS VASQUE)	5 ANS	3 ANS
VASQUE	3 ANS	1 AN
PRODUITS AVEC REVÊTEMENT	2 ANS	1 AN
PRODUITS EN BÉTON	2 ANS	1 AN
PLANCHES EN BOIS	2 ANS	1 AN
PARTIES SYNTHÉTIQUES	2 ANS	1 AN
PARTIES EN MÉTAL	2 ANS	1 AN

Fig. 9 - Conditions de garantie

### AVERTISSEMENT !

- « Attention ! L'unité de cuisson OFYR® va devenir très chaude. Ne pas la déplacer pendant son utilisation » ;
- « Attention ! Ne pas utiliser dans des locaux fermés » ;
- « Attention ! Ne pas utiliser d'alcool, d'essence ou tout autre liquide analogue pour allumer ou réactiver l'unité de cuisson OFYR® » ;
- « Attention ! Ne pas laisser l'unité de cuisson OFYR® à la portée des enfants et des animaux domestiques » ;
- Utilisez uniquement des allume-feux conformes à EN 1860-3.

# QUESTIONS FRÉQUENTES

## 1. Transport/conditionnement des unités de cuisson

### COMMENT VOTRE UNITÉ DE CUISSON SERA-T-ELLE LIVRÉE ?

Votre unité de cuisson OFYR® sera livrée dans un conditionnement octogonal, appelé Octabin. Les modèles OFYR® Classic sont expédiés la tête en bas, tandis que les modèles Island sont expédiés à la verticale. L'OFYR® Concrete est conditionné tout droit à cause du poids important du socle.

### QU'EST-CE QUI SERA LIVRÉ AVEC VOTRE UNITÉ DE CUISSON OFYR® ?

Votre unité de cuisson OFYR® sera livrée dans un Octabin et sera composée d'un socle, d'une vasque et d'une plaque de cuisson. Si vous avez acheté un OFYR® Island, l'emballage comprendra également un plan de travail en bois et un bac à épices. Nous fournissons également une spatule et un mode d'emploi avec chaque unité.

## 2. Informations générales à propos de l'unité de cuisson

### EN QUOI SONT FAITES LES UNITÉS DE CUISSON OFYR® ?

La plaque de cuisson d'une unité OFYR® est en acier. Les socles et les vasques des modèles Classic sont en acier Corten. Les socles et les vasques des modèles Black sont en acier thermo laqué noir. Le socle de l'OFYR® Classic Concrete est en béton résistant à la chaleur.

### MON UNITÉ DE CUISSON OFYR® EST-ELLE PORTABLE ?

Les modèles OFYR® Classic sont livrés en trois pièces distinctes et sont ainsi faciles à déplacer. Nous recommandons de déplacer la plaque de cuisson à deux. Les OFYR® Island sont livrés en cinq pièces distinctes. Il est également recommandé de soulever le socle d'une unité Island à deux.

### PUIS-JE LAISSER MON UNITÉ DE CUISSON OFYR® À L'EXTÉRIEUR ?

Vous pouvez laisser votre unité de cuisson OFYR® dehors, par tous les temps. Le socle et la vasque poursuivront leur corrosion et deviendront finalement brun foncé. La plaque de cuisson peut commencer à se corroder dans le temps si elle n'est pas suffisamment huilée, ni utilisée. Nous recommandons d'huiler la plaque de cuisson tous les 7 à 10 jours lorsque l'unité de cuisson OFYR® n'est pas utilisée.

Les modèles Black peuvent également être laissés à l'extérieur ; tant que les socles et les vasques de nos modèles Black ne sont pas rayés, elles ne vont pas se corroder. Bien entendu le socle en béton ne va pas se corroder. L'OFYR® Classic Concrete peut également être laissé à l'extérieur. Seul le socle devra être traité à la cire de temps en temps pour conserver sa brillance.

### COMMENT EST-CE QUE JE NETTOIE MON UNITÉ DE CUISSON OFYR® ?

Nous recommandons d'huiler votre plaque de cuisson une fois tous les 7 à 10 jours, comme décrit ci-dessus. Après avoir utilisé votre OFYR®, vous devez enlever les cendres restantes afin d'éviter que la vasque ne s'obstrue. Veuillez noter que les cendres resteront chaudes très longtemps ; assurez-vous par conséquent de ne stocker les cendres restantes que dans des récipients ignifugés, tels que des seaux en zinc. Une fois que les cendres ont refroidi, elles peuvent être enlevées avec une pelle à poussière normale et une brosse, et déposées dans une poubelle classique.

### EST-CE QUE LES ÉLÉMENTS EN BOIS DES PRODUITS OFYR® PEUVENT ÊTRE LAISSÉS DEHORS ?

Tous les éléments en bois des produits OFYR® sont en bois de caoutchouc (lamellé-collé). S'ils sont exposés à l'humidité, le bois va se déformer. L'extérieur des surfaces en bois peut également commencer à se fissurer. C'est la raison pour laquelle les éléments en bois doivent être stockés à l'intérieur dans un endroit sec, après chaque utilisation.



### 3. Installation des unités de cuisson

#### **EST-CE QUE MON UNITÉ DE CUISSON OFYR® PRÉSENTERA DES SIGNES DE CORROSION À LA LIVRAISON ?**

Oui, le processus de corrosion de votre unité de cuisson OFYR® aura déjà débuté à la livraison. Le processus de corrosion se poursuivra avec le temps, à l'extérieur.

#### **POURQUOI EST-CE QUE LA PLAQUE DE CUISSON EST-ELLE SI COLLANTE ?**

La plaque de cuisson a été huilée avant le transport pour la protéger contre la formation de corrosion.

#### **DOIS-JE PLACER UNE PLAQUE SOUS MON UNITÉ DE CUISSON OFYR® AFIN DE PROTÉGER LA SURFACE SUR LAQUELLE ELLE SE TROUVE DE DOMMAGES DUS AU FEU ?**

De l'eau et de la cendre peuvent s'écouler ou tomber à travers le trou situé dans la vasque de l'unité de cuisson OFYR®. Cela peut engendrer des taches permanentes sur des surfaces claires ou des dommages sur des surfaces en bois. Pour protéger votre surface, nous vous recommandons de placer une pierre sous l'unité de cuisson OFYR®, placer un seau ignifugé – uniquement possible pour les modèles Classic, Classic Black, Classic Concrete - ou placer une plaque en acier en-dessous du socle. Le bas du socle n'est pas susceptible de chauffer suffisamment lors d'une utilisation normale pour endommager votre surface. En dépit des précautions susmentionnées, de l'eau corrosive peut toutefois couler de l'unité de cuisson OFYR® et causer des taches sur des surfaces claires. Dans le cas de nos modèles Island et Storage, les cendres sont collectées sur la plaque supérieure.

#### **COMMENT EST-CE QUE JE PRÉPARE MON UNITÉ OFYR® POUR SA PREMIÈRE UTILISATION ?**

Utilisez la méthode décrite dans le chapitre 3, « Première utilisation ». Une fois que la plaque de cuisson a été préparée, votre unité de cuisson OFYR® sera prête pour sa première session de cuisson. Les aliments colleront un peu plus à la plaque de cuisson au début qu'après 2 à 3 utilisations. Tout comme une poêle en fonte ou une poêle en acier, un revêtement naturel non collant se développera dans le temps, permettant de cuire avec plaisir.

#### **LES PRODUITS OFYR® PEUVENT-ILS ÊTRE DÉPLACÉS AVEC LEURS PIEDS RÉGLABLES EN POSITION ?**

Non, ils ne le peuvent pas dans l'ensemble car le poids de l'unité de cuisson OFYR® peut tordre ou casser les pieds si vous ne soulevez votre unité de cuisson OFYR® pièce par pièce et cela peut même endommager les écrous à rivets grâce auxquels les pieds réglables sont fixés.

#### **LES PIEDS RÉGLABLES DES PRODUITS OFYR® PEUVENT-ILS ÊTRE UTILISÉS POUR AJUSTER CONSIDÉRABLEMENT LA HAUTEUR DES PRODUITS ?**

Non, les pieds réglables sont exclusivement destinés à s'assurer que les unités de cuisson OFYR® puissent être mises à niveau lorsqu'elles sont placées sur des surfaces irrégulières. Les pieds ne doivent pas être étendus de plus de 10 mm, car les unités de cuisson OFYR® peuvent devenir instables et les pieds se tordre ou casser.

### 4. Utilisation

#### **COMMENT EST-CE QUE J'ALLUME MON UNITÉ DE CUISSON OFYR® ?**

Lorsque vous allumez votre unité de cuisson OFYR® pour la première fois, utilisez la méthode de l'empilement en cabane en bois, il est important que vous laissiez un feu brûler au préalable pendant 30 minutes, afin de permettre à la plaque de cuisson de bien se fixer.

#### **POUR COMBIEN DE PERSONNES PUIS-JE CUISINER AVEC MON OFYR® ?**

Les unités de cuisson OFYR® 100 vous permettent de cuisiner pour jusqu'à 50 personnes, en fonction du type d'aliments que vous préparez. Pour les unités de cuisson OFYR® 85, vous pouvez cuisiner pour 20 à 30 personnes.

## **COMBIEN DE TEMPS FAUDRA-T-IL POUR QUE VOTRE UNITÉ DE CUISSON OFYR® SOIT PRÊTE À CUIRE DES ALIMENTS ?**

Une fois que votre unité de cuisson OFYR® a été allumée, il faudra entre 25 et 45 minutes, en fonction des conditions météorologiques et de la température à l'extérieur, pour que la plaque de cuisson atteigne environ 300 °C sur le bord intérieur et environ 200 °C sur le bord extérieur.

## **QUEL TYPE D'HUILE DOIS-JE UTILISER ?**

Les premières fois que vous allumez votre unité de cuisson OFYR®, nous recommandons d'utiliser de l'huile d'olive. L'huile d'olive a un point de combustion plus bas, ce qui aidera la plaque de cuisson à obtenir une belle teinte brun-noir. Après les premières utilisations, vous pouvez commencer à utiliser des huiles végétales telles que de l'huile de tournesol et de l'huile d'arachide, qui ont des points de combustion plus élevés.

## **QUEL TYPE DE BOIS DOIS-JE UTILISER SUR MON OFYR® ?**

Vous pouvez utiliser différents types de bois dans votre unité de cuisson OFYR®. D'après notre expérience, le bois de hêtre séché à l'étuve apporte de meilleurs résultats, en partie parce qu'il brûle pour devenir un tas de braises qui garde la plaque de cuisson chaude plus longtemps et qu'il peut être facilement déplacé. Le bois de frêne a presque les mêmes qualités. Le chêne fonctionne moins bien, car il produit des cendres plus fines. Enfin, le bois de bouleau a tendance à brûler très rapidement et est plutôt recommandé pour l'allumage du feu.

## **QUELLE QUANTITÉ DE BOIS FAUDRA-T-IL POUR MON OFYR® ?**

Votre unité de cuisson OFYR® utilisera environ deux sacs de bois entièrement remplis d'une capacité de 50 litres chacun en moyenne (usage de 4 à 5 heures), en fonction des conditions météorologiques et du type de bois.

## **PUIS-JE UTILISER DU CHARBON PLUTÔT QUE DU BOIS ?**

Oui, vous pouvez utiliser du charbon pour alimenter votre unité de cuisson OFYR®. Le charbon pourrait toutefois ne pas atteindre les mêmes températures que le bois de chauffe.

## **IL Y A DES ÉCAILLES SUR MA PLAQUE DE CUISSON, EST-CE QUE CELA VEUT DIRE QUE L'ACIER EST ENDOMMAGÉ ?**

Le fait de cuisiner régulièrement sur votre OFYR® engendra l'accumulation d'une couche de résidu de carbone sur la plaque de cuisson. Cette couche peut s'enlever à certains endroits lorsque l'OFYR® n'est pas utilisé pendant un moment, engendrant la formation d'écaillures. Ces écaillures peuvent être raclées en utilisant une spatule. Contentez-vous ensuite de frotter une nouvelle couche d'huile ; une couche de résidu de carbone homogène s'accumulera progressivement à nouveau.

## **MA PLAQUE DE CUISSON EST DEVENUE CONVEXE AU COURS DE L'UTILISATION INITIALE, LA GRAISSE S'ÉCOULE AINSI AU NIVEAU DU REBORD EXTERNE. QUE DOIS-JE FAIRE ?**

Au cours de la fabrication, les plaques de cuisson OFYR® ont été légèrement pressées au milieu, et elles sont encore légèrement pressées lorsqu'elles sont chauffées pour la première fois. Dans de très rares cas, la plaque de cuisson peut se bomber vers le haut et devenir convexe. Si cela se produit, veuillez contacter votre revendeur.

---

## **5. Produits OFYR® additionnels**

### **EXISTE-T-IL DES COUVERCLES OFYR® ?**

Oui, il y a deux types de couvercle pour chaque modèle. Les étouffoirs 50 et 60 cm de diamètre sont destinés à éteindre le feu, tandis que les couvercles 85 et 100 cm de diamètre sont destinés à couvrir la plaque de cuisson des modèles OFYR® 85 et 100 lorsqu'ils ne sont pas utilisés pendant une période prolongée. Les couvercles 85 et 100 cm de diamètre ne protègent pas complètement contre la corrosion car de l'humidité peut s'accumuler entre la plaque de cuisson et le couvercle. Nous vous conseillons d'huiler la plaque de cuisson avant de placer le couvercle au-dessus.

## HANDLEIDING OFYR®

BEDANKT VOOR HET KOPEN VAN EEN OFYR®-PRODUCT. DEZE HANDLEIDING BEVAT DE INSTALLATIE-INSTRUCTIES, DE GARANTIEVOORWAARDEN EN AANVULLENDE INFORMATIE OVER HET OFYR® KOOKTOESTEL.

### ALGEMENE INFORMATIE OVER DE KOOKTOESTELLEN

Kooktoestellen van OFYR® zijn modulaire producten die bestaan uit een aantal onderdelen waaronder een sokkel, een kegel en een kookplaat. Alle kooktoestellen van OFYR® worden geleverd in een speciale achthoekige verpakking genaamd Octabin. De kooktoestellen van OFYR® zijn onder te verdelen in 2 types: de OFYR® Classic en de OFYR® Island kooktoestellen (zie fig. 1).

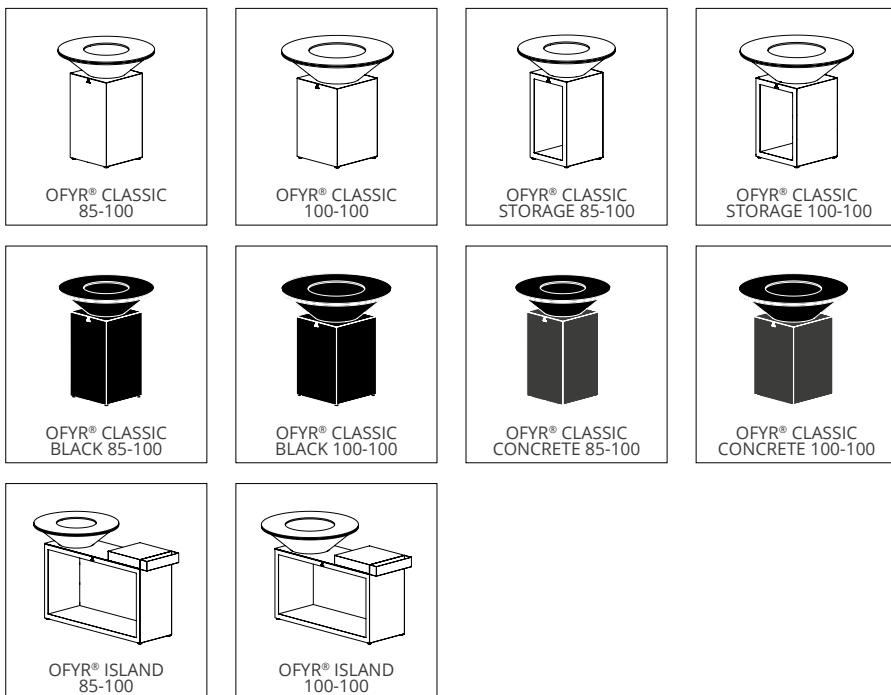


Fig. 1 - Kooktoestellen van OFYR®

### TRANSPORT/VERPAKKING VAN HET KOOKTOESTEL

De OFYR® Classic, Storage en Black 85-100 en 100-100 worden ondersteboven vervoerd (zie fig. 2 en fig. 3).

De OFYR® Black-producten worden vervoerd met een extra laag verpakkingsmateriaal om schade tijdens het transport te voorkomen. De OFYR® Island 85-100 en 100-100 kooktoestellen worden verticaal in speciale Island Octabins vervoerd (zie fig. 2 en fig. 3). De OFYR® Concrete wordt rechtop verpakt omdat de betonnen sokkel erg zwaar is.

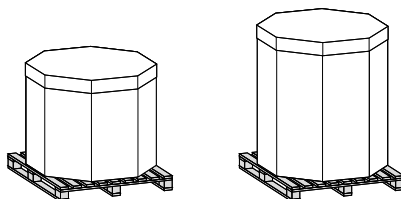


Fig. 2 - OFYR kooktoestel verpakt in een Octabin

## PLAATSEN VAN HET KOOKTOESTEL

Op de buitenkant van de Octabin-verpakking staat uitleg over het uitpakken van het OFYR® kooktoestel. Houd er rekening mee dat alle kooktoestellen exact volgens de plaatsingsinstructies moeten worden geplaatst! Wij zijn niet aansprakelijk voor schade als gevolg van onjuiste plaatsing van OFYR® kooktoestellen.

### SOKKEL & KEGEL

Plaats om te beginnen de sokkel op een vuurvaste ondergrond. Voor de OFYR®-modellen Island en Concrete kunt u de sokkel, vanwege het gewicht, het beste met twee personen verplaatsen. Vervolgens zet u de kegel op een zodanige manier in het gat van de sokkel dat de kookplaat horizontaal is. Als de kookplaat niet helemaal waterpas staat, kunt u de verstelbare poten van de sokkel gebruiken om dit te corrigeren. Houd er rekening mee dat het OFYR® kooktoestel instabiel kan worden als de stelpoten te ver uitgedraaid zijn. Daarom mag het niveauverschil niet meer zijn dan 10 mm. Als het niveauverschil meer is dan 10 mm raden we aan de ondergrond eerst vlak te maken voordat u het OFYR® kooktoestel installeert. Nadat u het OFYR® kooktoestel hebt geïnstalleerd, dient u dit niet meer te verschuiven. Dit kan namelijk schade veroorzaken aan de stelpoten en/of de klinkmoeren waarmee de stelpoten bevestigd zijn. Wij aanvaarden geen garantieclaims of aansprakelijkheid voor schade als gevolg van het verschuiven van het OFYR® kooktoestel. Let op: de OFYR® Classic Black is gecoat en is tijdens het plaatsen dus gevoeliger voor schade. Wij zijn niet aansprakelijk voor schade of gevolgschade als gevolg van het installeren van het OFYR® kooktoestel. De OFYR® Island-modellen hebben aan een kant een houten werkblad. Dit is voorzien van nylon voetsteunen die warmtegeleiding via de bovenkant van de sokkel van het Island model blokkeren. De sokkel heeft een tweede bovenkant en er is een opening van een paar millimeter tussen de sokkel en de bovenkant. Deze opening aan de rechter voorkant, de achterkant of de zijkant van de sokkel kan worden gebruikt om een kruidenrekje aan te bevestigen.

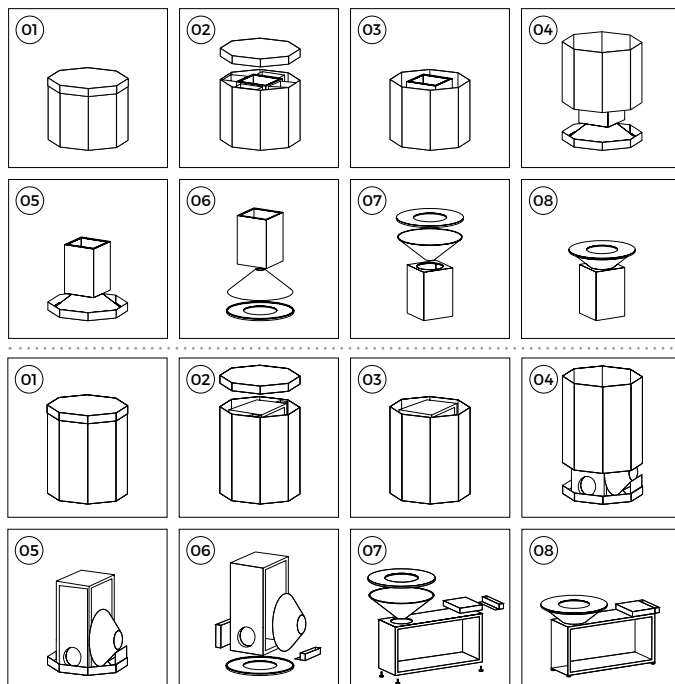


Fig. 3 - Uitpakprocedure van het OFYR kooktoestel

## KOOKPLAAT

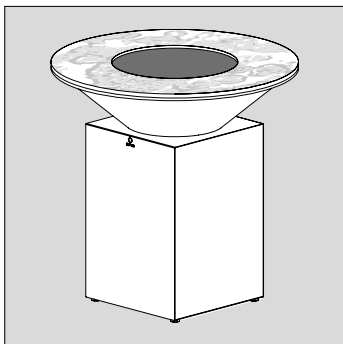
Om beschadiging van de rand van de kookplaat te voorkomen raden we aan om de kookplaat bij verplaatsing niet te rollen, dan kunnen namelijk bramen ontstaan en kan de bovenkant niet meer goed met een spatel worden afgeschrapt. We raden daarom aan de kookplaat vanwege zijn gewicht met twee personen te tillen en te verplaatsen. U kunt de kookplaat vasthouden aan de dikke buitenrand en aan de binnenrand. Wanneer u de kookplaat op de kegel plaatst, kunt u hem het beste met twee personen aan de binnenrand van de bovenkant vasthouden en over de kegel plaatsen totdat hij op zijn plaats vastklikt. Als de kookplaat niet goed op de kegel lijkt te passen, draai hem dan net zo lang tot hij op zijn plaats valt op de kegel.

*Let op: we raden aan om handschoenen te gebruiken bij het plaatsen van de kookplaat.  
Let er ook op dat uw kleding niet vuil wordt.*

## GEBRUIK

### 01. ALTIJD BUITEN

Alle kooktoestellen van OFYR® zijn gemaakt om onder alle weersomstandigheden buiten te staan. De sokkel en de kegel van de kookunits van de OFYR® Classic, Classic Storage en Island zijn gemaakt van Cortenstaal en vertonen al tekenen van roest wanneer u die ontvangt. Het roestproces is mogelijk nog niet volledig op gang wat betekent dat de kleur van de unit na verloop van tijd zal veranderen al naar gelang het roestproces vordert. Deze natuurlijke roestlaag beschermt tegen roestperforatie. Houd er rekening mee dat er gedurende de eerste maanden wat roestwater langs de bodem en de kegel kan sijpelen. Dit kan het oppervlak waarop de unit staat beschadigen. Wij zijn niet aansprakelijk voor schade als



*Fig. 4 - Overmatige roest op de kookplaat*

gevolg van dit roestige afvalwater. Het is belangrijk dat u zowel het oppervlak als de rand van de kookplaat regelmatig met olie behandelt. De kookplaat is gemaakt van staal en gaat roesten als er geen olie in 'ingebakken' wordt. Nadat de olie op de juiste manier is ingebakken, zal hooguit een klein beetje roestvorming kunnen optreden. Als de kookplaat langere periodes niet wordt gebruikt, adviseren we om hem elke 7 tot 10 dagen met olie te behandelen ter voorkoming van roestvorming. Eventuele roest kan met staalwol worden verwijderd. In geval van overmatige roest (*zie fig. 4*) raden we aan om het oppervlak af te schuren met een op een boormachine bevestigde staalborstel. De kookplaat kan het best van te voren worden verwarmd omdat roest op deze manier loskomt. Nadat de kookplaat grondig is afgeschuurd (duurt ca. 10 minuten), veegt u het schuurstof weg met een borstel. Nadat u de plaat met olie hebt behandeld, is de kookplaat weer als nieuw. Er zit een gat in de bodemplaat van de kegel om regenwater weg te laten lopen. Om te voorkomen dat het gat verstopt raakt, adviseren wij u om na elk gebruik de as uit de kegel te verwijderen. Er kan ook (hete) as door het gat in de bodemplaat vallen. Houd daar rekening mee bij de keuze van de plaats voor het OFYR® kooktoestel. U zou bijvoorbeeld een stalen emmer met wat water in de sokkel kunnen plaatsen. Bij de modellen Island en Storage wordt de as in plaats daarvan opgevangen op de bovenste plaat. Bij deze modellen kunt u de as het best verwijderen door de kegel en de kookplaat van de bodem te tillen en eventueel regenwater weg te laten lopen. Het enige doel van het gat in de bodemplaat is het weglopen van regenwater, voor luchttoevoer heeft het geen functie. De betonnen sokkel is behandeld met was voor een glanzend oppervlak.

## 02. HOUT

Voor optimaal gebruikscomfort raden we u aan om ovengedroogd hout te gebruiken. Daarmee voorkomt u rookvorming tijdens het koken. Ovengedroogd hout is bovendien veel gemakkelijker aan te steken. Stapel de stukken hout twee aan twee op, alsof u een blokhut bouwt, met de schors naar buiten gericht om meer rookvorming te voorkomen. Ovengedroogd beukenhout is het best omdat dit verbrandt tot een houtskoolmassa die de kookplaat optimaal verwarmt. Deze houtskoolmassa kan eenvoudig worden verplaatst als u de warmte elders op de kookplaat wilt gebruiken. Wanneer u het vuur aansteekt en nieuwe houtblokken op het vuur legt, zal dat meestal wat rook geven tot de nieuwe blokken goed branden. Deze rookvorming kan grotendeels worden voorkomen door het gebruik van de Buffadoo. De Buffadoo is een blaaspomp waarmee zuurstof in het vuur geblazen kan worden en de nieuwe houtblokken vrijwel onmiddellijk gaan branden. De ideale afmetingen van de houtblokken zijn ongeveer 10 x 30 centimeter. We raden af om grotere stukken hout te gebruiken. Deze hebben de neiging om snel vlam te vatten maar verbranden vervolgens meestal niet goed door gebrek aan zuurstof in de kegel. Dat kleinere stukken hout de voorkeur hebben geldt vooral voor de 85-100-modellen en meer dan voor de 100-100-modellen. Voor een avond lang koken (4-5 uur) hebt u twee houtzakken van elk ongeveer 50 liter nodig, afhankelijk van de buitentemperatuur en de weersomstandigheden.

## 03. HET EERSTE GEBRUIK

Als u het kooktoestel voor de eerste keer gebruikt, is het belangrijk om ongeveer 30 minuten lang een klein vuurtje te laten branden om de kookplaat naar behoren te prepareren. Tijdens de fabricage is het midden van de kookplaat een klein beetje ingedrukt. Wanneer de kookplaat wordt verwarmd, wordt deze nog verder ingedrukt. Als u de eerste keer een te groot vuur aansteekt in het OFYR® kooktoestel kan de kookplaat bij toekomstig gebruik mogelijk te ver ingedrukt worden. Het is erg belangrijk om de kookplaat goed te prepareren aan de hand van de hierboven beschreven procedure. In sommige gevallen kan de kookplaat in het midden opbollen (zie fig. 5). Dat betekent dat de spanning in het staal niet goed is. Neem in dat geval contact op met de dealer. Als u een te groot vuur aansteekt met hout dat zeer hoge temperaturen kan bereiken, bijvoorbeeld met het type hardhout dat in de bouw wordt gebruikt, kan de kookplaat volledig kromtrekken (zie fig. 6). We accepteren geen garantieclaims voor schade die het gevolg is van dergelijk onjuist gebruik. Alle kookplaten van OFYR® worden tijdens de fabricage behandeld met olie ter bescherming tegen roest. Als u de kookplaat goed hebt geprepareerd met een klein vuurtje, kunt u vervolgens een groter vuur ontsteken. Omdat de kookplaten van het OFYR® kooktoestel 12 mm dik zijn, duurt het behoorlijk lang voordat deze goed verhit zijn. Besprenkel de goed verhitte kookplaat met olijfolie en wrijf dat in met een theedoek. Doe dit 2 tot 3 keer. Schraap de kookplaat dan af met de bijgeleverde spatel en schuif het schraapsel in het vuur. We hebben ook een PRO-spatel in ons assortiment die geschikt

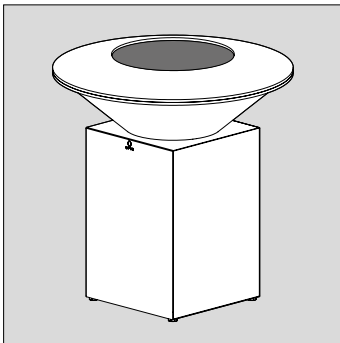


Fig. 5 - Opgebolde kookplaat

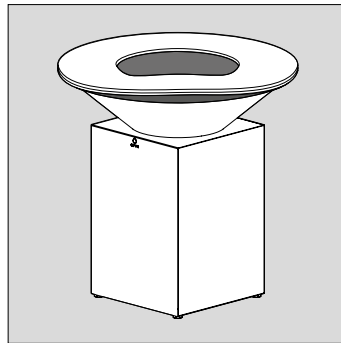


Fig. 6 - Kromgetrokken kookplaat door gebruik van het verkeerd hout

is voor intensief professioneel gebruik. De eerste paar keer geeft de kookplaat een zwarte substantie af. Besprenkel de kookplaat gewoon nog een paar keer met olijfolie, wrijf hem opnieuw in en schraap alles wat loskomt eraf. Als het schraapsel beige van kleur is, is de kookplaat schoon en klaar voor gebruik. Besprenkel de kookplaat nog een keer met olijfolie, wrijf hem in, en u kunt gaan koken! We raden aan olijfolie te gebruiken de eerste 2 tot 3 keer dat u met het OFYR® kooktoestel kookt. Olijfolie heeft een relatief laag verbrandingspunt waardoor de kookplaat een mooie bruinzwarte tint krijgt. Na de eerste paar keer kunt u ook oliesoorten met een hogere verbrandingstemperatuur gebruiken zoals zonnebloemolie. Door de olie in de kookplaat in te laten bakken wordt deze ook beschermd tegen roest. Houd er rekening mee dat als de kookplaat langere tijd niet wordt gebruikt, de olie zal uitdrogen en de kookplaat kan gaan roesten bij vochtig weer. Raadpleeg hoofdstuk 1. Altijd Buiten om te voorkomen dat dergelijke roest ontstaat.

#### 04. KOKEN

Afhankelijk van de weersomstandigheden en de buitentemperatuur duurt het ongeveer 25 tot 45 minuten voordat de kookplaat een temperatuur van zo'n 300 °C aan de binnenrand en 200 °C aan de buitenrand heeft bereikt. Om dit te bereiken, bouwt u een kampvuur volgens de hierboven beschreven 'blokhutmethode'. Als het hout van dit eerste vuur goed brandt, schuift u de hete blokken onder de randen van de kookplaat en voegt u nieuwe houtblokken toe die u met de schors naar boven legt. Herhaal dit gedurende de tijd dat u de kookplaat op temperatuur wilt houden. In de herfst en de winter hebt u veel meer hout nodig om de kookplaat heet te houden dan in de lente en de zomer. Als er een briesje staat wordt de kookplaat het heetst op de plaats waar de wind het OFYR® kooktoestel verlaat, d.w.z. in de richting van de wind. U kunt dit compenseren door meer heet en verkoold hout in de tegenovergestelde richting te schuiven. Als de kookplaat heet begint te worden, dient u deze eerst af te schrapen met de spatel en vervolgens in te wrijven met een geoliede doek. Als de kookplaat heet genoeg is om op te koken, voegt u wat olie toe op de plaatsen waar u eten wilt plaatsen. Als de kookplaat droog

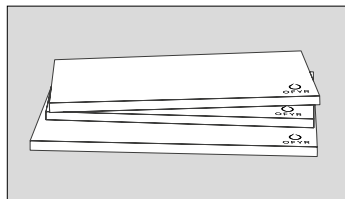


Fig. 7 - Cederhouten plankjes

en mat lijkt, doet u er meer olie op zodat de kookplaat altijd voldoende ingevet is. U dient meer olie toe te voegen bij het bereiden van vis en groenten dan bij vet vlees. U kunt ook (ceder)houten plankjes (zie fig. 7) gebruiken om dikkere stukken vlees of vis langzaam te laten garen nadat u de buitenkant hebt dichtgeschroeid. Als er voedselresten achterblijven op de kookplaat, schraapt u deze eraf met een spatel en schuift ze in het vuur. Wrijf de kookplaat regelmatig in met een geoliede doek, daarna is die weer helemaal schoon. We raden aan om geen dikke aanbaklaag te laten ontstaan omdat die moeilijk te verwijderen is. Het is beter om de kookplaat regelmatig schoon te schrapen. Als u eenmaal gewend bent aan het gebruik van het OFYR® kooktoestel zult u zien dat deze behandeling een gewoonte wordt. Na afloop van het koken maakt u de kookplaat nog een keer schoon volgens de hierboven beschreven procedure. Wanneer die daarna nog lauwwarm is, wrijft u hem nog een keer in met olie. Zo is de kookplaat goed beschermd en klaar voor de volgende keer. Meer kooktechnieken en tips zijn te vinden op het YouTube-kanaal van OFYR® en onze website [www.ofyr.com](http://www.ofyr.com). Als u het OFYR® kooktoestel veel gebruikt, ontstaat een gladde laag koolstofresten op de kookplaat waardoor deze gemakkelijker in het gebruik wordt. Deze koolstoflaag kan op een gegeven moment hier en daar loskomen. Als u dat merkt, verwijder de schilfers dan met de spatel en wrijf die plekken in met nieuwe olie. De laag met koolstofresidu zal zich geleidelijk aan vernieuwen.

#### 05. HET VUUR DOVEN

De beste manier om het vuur te doven is dat vanzelf uit laten gaan. Houd er rekening mee dat de as en de kookplaat tot lang na gebruik heet kunnen blijven. Een andere manier om het vuur te doven is het gat van de kookplaat afdekken met een van de doofdeksels (diameter Ø 50 en Ø 60 cm) die als accessoire te verkrijgen zijn. Doof het vuur nooit met water! Als u een OFYR® Island hebt, raden wij om hygiënische redenen aan om na het schoonmaken van de kookplaat ook de houten werkplank van het toestel schoon te maken. Deze werkplanken kunnen niet 's nachts of in de regen buiten blijven staan.

## 06. ONDERHOUD

OFYR® kooktoestellen zijn relatief onderhoudsarm. Zoals eerder vermeld kan roest ontstaan op de geprepareerde kookplaat als u het OFYR® kooktoestel langere tijd niet gebruikt. Deze roest kan echter eenvoudig worden verwijderd. Als u de kookplaat niet goed voorbereidt, kan de roest aanzienlijk zijn en hebt u een staalborstel nodig om de roest te verwijderen. Dit wordt uitgelegd in hoofdstuk 01 Altijd Buiten.

.....

## 07. ISLAND

De houten werkplank moet met de hand worden gereinigd en mag niet met bijtende middelen worden behandeld of in de vaatwasser worden gereinigd. Nadat u deze hebt schoongemaakt, raden we aan deze op een droge plaats met een lage luchtvochtigheid op te bergen. Grote temperatuurverschillen kunnen kromtrekken van het hout tot gevolg hebben. We raden sterk af om deze houten plank buiten te laten liggen. Houd er echter ook rekening mee dat hout een natuurlijk product is dat altijd een beetje kan kromtrekken. Wij zijn niet aansprakelijk voor eventuele vervorming van het hout.

.....

# VRIJWARINGSCLAUSULES

## 01. ROEST

Met uitzondering van de kookplaat, de stelpoten, de scharnieren, de schroeven en de magneten onder de houten planken, zijn alle stalen elementen uit de OFYR®-collectie gemaakt van Cortenstaal. Cortenstaal is een soort staal die zeer snel verroest en daardoor juist beschermd is tegen roestperforatie. Als de natuur zijn gang kan gaan, duurt het afhankelijk van de locatie en de vochtigheidsgraad, zo'n 6 tot 12 maanden voordat de elementen van Cortenstaal goed verroest zijn. In tegenstelling tot veel fabrikanten van producten van Cortenstaal bieden wij de kopers van de producten de extra service dat dit roestproces al in gang is gezet is bij levering van onze producten. Afhankelijk van de locatie en de vochtigheidsgraad duurt het nog eens 3 tot 6 maanden voordat deze oppervlakkige roest verandert in een volledige laag roest. Dit garandeert echter bij aflevering geen volledig egale laag roest. Daarom komen elementen van Cortenstaal die bij de aflevering minder verroest zijn dan andere, niet in aanmerking voor vervanging. Ze zullen onder invloed van het weer immers na verloop van tijd op natuurlijke wijze gaan roesten. Ook als de roest oppervlakkig is, kunnen de elementen van Cortenstaal oranje vlekken veroorzaken op kleding, huid en de ondergrond waarop ze staan. Als het regent kan er roestwater uit deze elementen sijpelen waardoor er permanente vlekken kunnen ontstaan op lichtgekleurde stenen en houten oppervlakken. Onder normale omstandigheden zal het Cortenstaal geleidelijk aan een egale, donkerbruine laag roest worden gecreëerd die niet afbladdert. In de buurt van zee kan misschien toch wat schilfering ontstaan door het hoge zoutgehalte van de lucht. Dit veroorzaakt geen schade, maar deze vorm van roest moet wel worden verwijderd om te voorkomen dat er roest ontstaat op het oppervlak waarop het OFYR® kooktoestel is geplaatst. Wij aanvaarden geen aansprakelijkheid voor schade als gevolg van roest op onze producten.



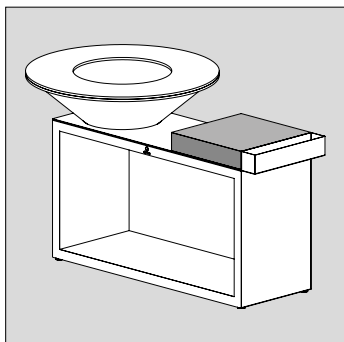


Fig. 8 - Houten planken

## 02. HOUTEN PLANKEN

Sommige OFYR®-producten worden geleverd met houten planken die kunnen worden gebruikt als ziteenheid of werkblad (zie fig. 8). Laat deze planken niet buiten liggen gedurende langere tijd. Door vochtig weer kunnen de planken kromtrekken of scheuren. We raden daarom aan deze planken na gebruik op een droge plaats op te bergen. Het is ook beter om ze 's nachts niet buiten te laten liggen omdat de atmosfeer dan vaak vochtig is. De werkkoppervlakken kunnen worden gebruikt als snijplanken maar mogen niet worden gebruikt als hakblokken. Als er met scherpe of zware voorwerpen te veel druk op deze oppervlakken wordt uitgeoefend, kunnen ze onherstelbaar worden beschadigd. Het werkkoppervlak van de Butcher Block 45-45-88 en de OFYR® Island 85-100 is even groot. De werkkoppervlakken die bij de Butcher Blocks worden geleverd, hebben magnetische poten. De poten van de OFYR® Island 85-100 zijn van nylon. De werkkoppervlakken van de

Butcher Blocks zijn niet geschikt voor gebruik op de OFYR® Island 85-100 omdat de magnetische poten de hitte geleiden waardoor het hout kan vervormen. Wij aanvaarden geen aansprakelijkheid voor schade als gevolg van onjuist gebruik van de houten planken. Plaats geen OFYR®-producten met houten elementen direct naast een warmtebron, ook niet naast een van onze kooktoestellen. De hitte kan het hout beschadigen en maken dat dat krom trekt.

## 03. VERSTELBARE POTEN ONDER KOOKTOESTELLEN, BUTCHER BLOCKS, HOCKERS EN DRESSOIRS VAN OFYR®

Als een kooktoestel, Butcher Block, Hocker, bank of Dressoir van OFYR® is opgesteld, kunnen de stelpoten worden gebruikt om die waterpas te zetten. Gebruik deze stelpoten niet om de hoogte van het kooktoestel of andere eenheden af te stellen. Kooktoestellen, butcher blocks, hockers, banken en dressoirs van OFYR® kunnen instabiel worden als de stelpoten meer dan 10 mm worden uitgedraaid. We aanvaarden geen aansprakelijkheid voor schade als gevolg van onjuist gebruik van de stelpoten. Als een kooktoestel, Butcher Block, Hocker, bank of Dressoir is opgesteld, mag die niet meer worden verschoven. Verschuiven kan schade veroorzaken aan de stelpoten of de klinkmoeren waarmee de stelpoten zijn bevestigd. Wij aanvaarden geen garantieclaims of aansprakelijkheid voor schade die voortvloeit uit het verschuiven en/of verplaatsen van een OFYR® kooktoestel, Butcher Block, Hocker, bank of Dressoir.

## 04. NIET GEBRUIKEN IN GESLOTEN RUITEN

OFYR® kooktoestellen zijn niet geschikt voor gebruik in gedeeltelijk of geheel afgesloten ruimtes. Dergelijk gebruik kan een opeenhoping van gevaarlijke dampen als gevolg hebben wat kan leiden tot koolmonoxidevergiftiging.

## 05. GEBRUIK GEEN PURE ALCOHOL, BENZINE OF ANDERE CHEMISCHE STOFFEN

Het gebruik van pure alcohol, benzine of andere chemische stoffen als hulpstof bij het aansteken van vuur is zeer gevaarlijk en kan het voedsel op de kookplaat aantasten. Wij zijn niet aansprakelijk voor gezondheidsproblemen als gevolg van het gebruik van chemische stoffen bij het aansteken van het vuur van het OFYR® kooktoestel. Zie erop toe dat in de ruimte rond het OFYR® kooktoestel geen licht ontvlambare stoffen aanwezig zijn.

## 06. LAAT HET OFYR® KOOKTOESTEL NIET ONBEHEERD ACHTER

Laat het OFYR® kooktoestel nooit onbeheerd achter, ook kinderen en huisdieren mogen niet in de buurt van het OFYR kooktoestel komen.

## 07. GARANTIEVOORWAARDEN PER ONDERDEEL

Voor de eerste kopers of eigenaren is er een beperkte levenslange garantie van toepassing op het materiaal en de constructie van alle stalen elementen van alle OFYR® kooktoestellen, op voorwaarde dat ze de unit bij een erkende dealer hebben gekocht en de garantie op de voorgeschreven manier hebben geregistreerd. Voor de juiste registratie van uw OFYR ga naar [www.ofyr.club](http://www.ofyr.club).

	<b>B2C</b>	<b>B2B</b>
KOOKPLAAT	5 JAAR	3 JAAR
PRODUCTEN VAN CORTENSTAAL (UITGEZONDERD DE KEGEL)	5 JAAR	1 JAAR
KEGEL	3 JAAR	1 JAAR
GECOATE PRODUCTEN	2 JAAR	1 JAAR
BETONNEN PRODUCTEN	2 JAAR	1 JAAR
HOUTEN PLANKEN	2 JAAR	1 JAAR
SYNTHETISCHE ONDERDELEN	2 JAAR	1 JAAR
METAL PARTS	2 JAAR	1 YEAR

*Fig. 9 - Garantievoorwaarden*

### **WAARSCHUWING**

- **Het OFYR® kooktoestel wordt erg heet!**
- **Gebruik het OFYR® kooktoestel niet binnenshuis!**
- **Houd kinderen en huisdieren uit de buurt!**
- **Gebruik geen spiritus of benzine bij het (opnieuw) aansteken!**
- **Gebruik alleen aanmaakblokjes die voldoen aan EN 1860-3!**

## Veelgestelde vragen

### 1. Transport/verpakking van de kooktoestellen

#### HOE WORDT HET OFYR® KOOKTOESTEL GELEVERD?

Het OFYR® kooktoestel wordt geleverd in een achthoekige verpakking genaamd Octabin. De OFYR® Classic-modellen worden ondersteboven verzonden en de Island-modellen verticaal. De OFYR® Concrete is rechtop verpakt vanwege de zware sokkel.

#### WAT WORDT SAMEN MET HET OFYR® KOOKTOESTEL GELEVERD?

Het OFYR® kooktoestel wordt geleverd in een Octabin en bestaat uit een sokkel, een kegel en een kookplaat. Als u een OFYR® Island heeft gekocht, bevat het pakket ook een houten snijplank en een kruidenrek. Bij elk kooktoestel wordt tevens een gratis spatel geleverd.

### 2. Algemene informatie kooktoestel

#### WAAR ZIJN DE OFYR® KOOKTOESTELLEN VAN GEMAAKT?

De kookplaat van een OFYR® kooktoestel is gemaakt van staal. De sokkel en de kegel van de Classic-modellen zijn gemaakt van Cortenstaal. De sokkel en kegel van de Black-modellen zijn gemaakt van gecoat staal. De sokkel van de OFYR® Classic Concrete is gemaakt van hittebestendig beton.

#### IS HET OFYR® KOOKTOESTEL DRAAGBAAR?

De OFYR® Classic-modellen worden in drie afzonderlijke delen geleverd en zijn dus gemakkelijk te verplaatsen. We adviseren om de kookplaat met twee personen te verplaatsen. De OFYR® Island-modellen worden afgeleverd in vijf losse delen. De bodem van de Island-unit kan het best door twee personen worden verplaatst.

#### KAN IK HET OFYR® KOOKTOESTEL BUITEN LATEN STAAN?

Het OFYR® kooktoestel kan onder alle weersomstandigheden buiten blijven staan. De bodem en de kegel roesten verder en worden uiteindelijk donkerbruin. De kookplaat kan na verloop van tijd ook gaan roesten als deze niet goed is geolied. We raden aan om de kookplaat elke 7 tot 10 dagen te oliën als het OFYR® kooktoestel niet in gebruik is.

De Black-modellen kunnen ook buiten blijven staan. Zolang de bodem en de kegel van de Black-modellen niet gekrast zijn, roesten ze niet. De OFYR® Classic Concrete kan ook buiten blijven staan. Alleen de sokkel dient af en toe met was te worden behandeld om hem glanzend te houden.

#### HOE MAAK IK HET OFYR® KOOKTOESTEL SCHOON?

Zoals eerder gezegd, adviseren we om de kookplaat van het OFYR® kooktoestel elke 7 tot 10 dagen te oliën. Nadat u het OFYR® kooktoestel heeft gebruikt, moet u resterende as verwijderen om te voorkomen dat het gat in de kegel verstopt raakt. Houd er rekening mee dat as erg lang heet kan blijven. Zorg er dus voor dat de overgebleven as wordt verzameld in onbrandbare bakken, bijv. zinken emmers. Als de as is afgekoeld, kan deze worden verwijderd met een gewone stoffer en blik en worden weggegooid in een gewone afvalbak.

#### MOGEN DE HOUTEN ELEMENTEN VAN DE OFYR®-PRODUCTEN BUITEN BLIJVEN?

De houten elementen van de OFYR®-producten zijn gemaakt van verlijmd hout. Als ze worden blootgesteld aan vocht, kan het hout kromtrekken. De buitenkant van de houten oppervlakken kan ook gaan barsten. Het is dus verstandig om de houten elementen na gebruik op een droge plaats te bewaren.

### 3. Het plaatsen van het kooktoestel

#### **VERTOONT HET OFYR® KOOKTOESTEL BIJ LEVERING AL TEKENEN VAN ROEST?**

Ja, het roestproces van het Corten stalen OFYR® kooktoestel is al voor aflevering begonnen. Omdat het kooktoestel buiten staat zal het roestproces gestaag doorgaan.

#### **WAAROM VOELT DE KOOKPLAAT PLAKKERIG AAN?**

De kookplaat werd voorafgaand aan het transport geolied als bescherming tegen roestvorming.

#### **MOET IK EEN PLAAT ONDER HET OFYR® KOOKTOESTEL LEGGEN OM HET OPPERVLAK WAAROP KOOKTOESTEL STAAT TE BESCHERMEN TEGEN BRANDSCHADE?**

Door de opening in de kegel van het OFYR® kooktoestel kunnen water en as naar beneden vallen of sijpelen. Daardoor kan een lichtgekleurde ondergrond blijvend verkleuren. Om de ondergrond te beschermen, kunt u een emmer met water in de sokkel van het OFYR® kooktoestel plaatsen of een stalen plaat in de bodem van de sokkel plaatsen. Het is niet waarschijnlijk dat de sokkel tijdens normaal gebruik zo verhit raakt dat deze de ondergrond beschadigt. Ondanks de genoemde voorzorgsmaatregelen kan echter wel roestwater naar beneden sijpelen langs de sokkel van het OFYR® kooktoestel en vlekken op een licht getinte ondergrond veroorzaken. Bij de Island- en Storage-modellen hoopt de as zich overigens op de bovenste plaat op.

#### **HOE PREPAREER IK HET OFYR® KOOKTOESTEL VOOR DE EERSTE KEER?**

Gebruik de methode die in hoofdstuk 3 Het Eerste Gebruik wordt beschreven. Nadat de kookplaat is voorbereid, is het OFYR® kooktoestel klaar voor de eerste kooksessie. Het eten zal de eerste keer wat meer aan de kookplaat blijven plakken dan de tweede of derde keer. Net als bij een ouderwetse stalen koekenpan zal na verloop van tijd een natuurlijke antikleeflaag ontstaan die het koken aanzienlijk vergemakkelijkt.

#### **KUNNEN OFYR®-PRODUCTEN WORDEN VERPLAATST TERWIJL DE STELPOTEN UITGEDRAAID ZIJN?**

Nee, dat kan niet. Door het gewicht van de OFYR® producten kunnen de stelpoten bij verplaatsing verbuigen of afbreken. Ook de klinkmoeren waarmee de stelpoten zijn bevestigd, kunnen beschadigd raken.

#### **KUNNEN DE STELPOTEN VAN OFYR®-PRODUCTEN WORDEN GEBRUIKT VOOR HET INSTELLEN VAN DE HOOGTE?**

Nee, de stelpoten zijn uitsluitend bedoeld om de OFYR® kookunits waterpas te zetten op oneffen oppervlakken. De stelpoten mogen niet verder dan 10 mm worden uitgedraaid omdat de OFYR® producten anders onstabiel worden en de poten kunnen verbuigen of afbreken.

---

## 4. Gebruik

#### **HOE STEEK IK HET OFYR® KOOKTOESTEL AAN?**

Wanneer u het OFYR® kooktoestel voor de eerste keer gebruikt en het hout op de 'blokhuut-manier' stapelt, is het belangrijk dat u eerst ongeveer 25 minuten lang een laag vuur laat branden om de kookplaat goed te laten inzinken.

#### **HOE LANG DUURT HET VOORDAT HET OFYR® KOOKTOESTEL KLAAR IS VOOR GEBRUIK?**

Als het OFYR® kooktoestel is aangestoken duurt het afhankelijk van de weersomstandigheden en de buitentemperatuur, tussen 25 en 45 minuten voordat de kookplaat een temperatuur heeft bereikt van ongeveer 300 °C aan de binnenrand en ongeveer 200 °C aan de buitenrand.

### **WELK TYPE OLIE MOET IK GEBRUIKEN?**

De eerste keren dat u het OFYR® kooktoestel gebruikt raden we aan om olijfolie te gebruiken. Olijfolie heeft een lager verbrandingspunt dan andere oliesoorten en dat zorgt voor een kookplaat met een mooie bruinzwarte tint. Later kunt u ook natuurlijke oliesoorten met een hogere verbrandingstemperatuur gebruiken zoals zonnebloemolie.

### **VOOR HOEVEEL MENSEN KAN IK OP HET OFYR® KOOKTOESTEL KOKEN?**

Met een OFYR® 100 kooktoestel kunt u eten bereiden voor tot 50 personen, afhankelijk natuurlijk van het soort eten dat u klaarmaakt. Met de OFYR® 85 kookunits kunt u voor 20 tot 30 personen koken.

### **WELK SOORT HOUT MAG IK IN HET OFYR® KOOKTOESTEL GEBRUIKEN?**

Er kunnen verschillende soorten hout worden gebruikt in het OFYR® kooktoestel. De ervaring heeft geleerd dat ovengedroogd beukenhout de beste resultaten geeft. Voor een deel is dat omdat dit tot gemakkelijk te verspreiden houtskool verbrandt dat de kookplaat lang warm houdt. Essenhout heeft bijna dezelfde eigenschappen. Eikenhout werkt minder goed omdat het een dunner soort as produceert. Berkenhout verbrandt vrij snel.

### **HOEVEEL HOUT HEB IK VOOR HET OFYR® KOOKTOESTEL NODIG?**

Een OFYR® kooktoestel verbruikt gemiddeld twee volle houtzakken van 50 liter elk, afhankelijk van de weersomstandigheden en het houttype.

### **MAG IK HOUTSKOOL GEBRUIKEN IN PLAATS VAN HOUT?**

Ja, u mag houtskool gebruiken als brandstof voor het OFYR® kooktoestel. Het is wel zo dat dat houtskool eventueel niet zo heet wordt als hout.

### **ER ZITTEN SCHILFERS OP DE KOOKPLAAT, BETEKENT DIT DAT HET STAAL BESCHADIGD IS?**

Als u regelmatig kookt op het OFYR® kooktoestel dan wordt een laagje koolstof gevormd op de kookplaat. Als het OFYR® kooktoestel een tijdje niet wordt gebruikt, kan het zijn dat dit laagje op sommige plaatsen loslaat met als gevolg de vorming van schilfers. Deze schilfers kunnen eenvoudig met een spatel van de kookplaat worden geschrapt. Als dit gebeurt, wrijft u die plek gewoon opnieuw in met een olie. Dan wordt een nieuw glad laagje koolstofresidu gevormd.

### **DE KOOKPLAAT IS BOL GETROKKEN NA HET EERSTE GEBRUIK, NU LOOPT HET VET VAN DE BUITENRAND AF. WAT MOET IK DOEN?**

Bij de productie wordt een OFYR® kookplaat een beetje ingedrukt in het midden, zodat vet naar het midden loopt. Bij het verhitten zakt het midden nog iets meer naar beneden. Soms gaat de kookplaat echter bol staan. Neem in dat geval contact op met de dealer.

.....

## **5. OFYR®-accessoires**

### **ZIJN ER AFDEKPLATEN VOOR EEN OFYR® KOOKTOESTEL VERKRIJGBAAR?**

Ja, voor elk model zijn twee typen afdekplaten verkrijgbaar. De doofdeksels van Ø 50 cm en Ø 60 cm zijn bedoeld om het vuur te doven. De beschermdeksels van Ø 85 cm en Ø 100 cm worden gebruikt om de kookplaat van de OFYR®-modellen 85 en 100 te beschermen als die langere tijd niet worden gebruikt. De beschermdeksels van Ø 85 cm en Ø 100 cm beschermen niet tegen roest omdat zich vocht kan ophopen tussen de kookplaat en de afdekplaat. Bij harde wind kunnen de beschermdeksels wegwaaien. U moet er dan of een gewicht op leggen of ze niet gebruiken.

## MANUAL OFYR®

GRACIAS POR COMPRAR UN PRODUCTO OFYR®. ESTE MANUAL CONTIENE LAS INSTRUCCIONES DE INSTALACIÓN, CONDICIONES DE GARANTÍA E INFORMACIÓN ADICIONAL SOBRE EL ASADOR OFYR®.

### INFORMACIÓN GENERAL SOBRE LOS APARATOS PARA ASAR

Los asadores de OFYR® son productos modulares que consisten en una serie de componentes que incluyen un pedestal, un cono y una plancha para asar. Todos los aparatos para asar OFYR® se suministran en un embalaje especial octogonal llamado Octabin. Los aparatos para asar OFYR® pueden dividirse en dos tipos: OFYR® Classic y OFYR® Island (ver Fig. 1).

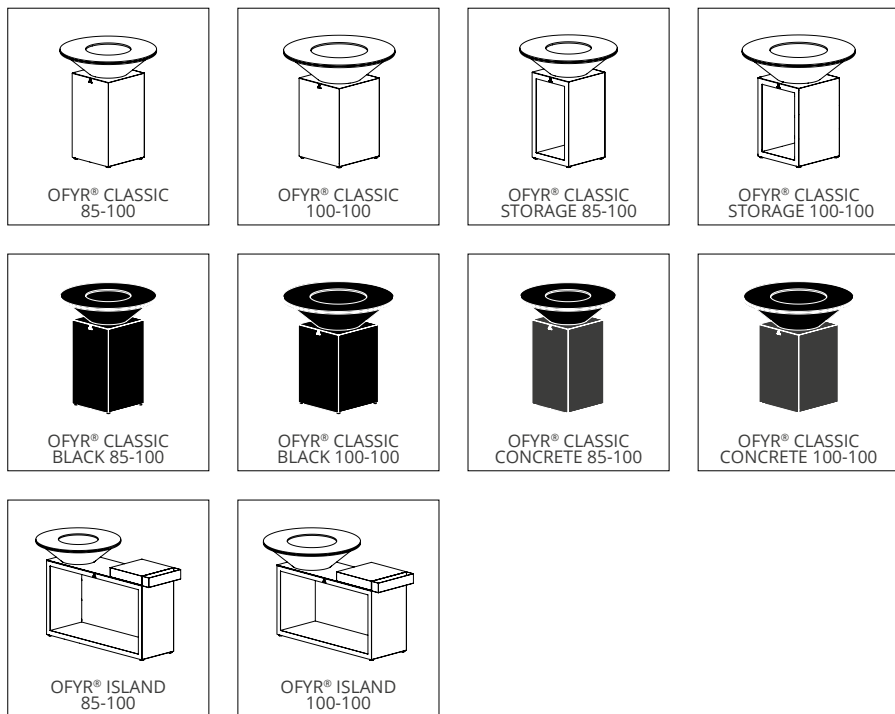


Fig. 1 - Aparatos para asar de OFYR®

### TRANSPORTE/EMBALAJE DEL ASADOR

El OFYR® Classic, Storage y Black 85-100 y 100-100 se transportan boca abajo (ver Fig. 2 y Fig. 3). Los productos OFYR® Black se transportan con una capa adicional de material de embalaje para evitar daños durante el transporte. Los asadores OFYR® Island 85-100 y 100-100 se transportan verticalmente en contenedores Island Octabins especiales (ver Fig. 2 y Fig. 3). El OFYR® Concrete se suele embalar verticalmente porque la base de hormigón es muy pesada.

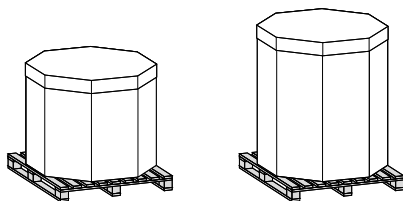


Fig. 2 - ASADOR OFYR embalaje en un Octabin

## INSTALACIÓN DEL ASADOR

En el exterior del embalaje Octabin hay una explicación de cómo desembalar el asador OFYR®. ¡Tenga en cuenta que todos los asadores deben instalarse exactamente de acuerdo con las instrucciones de instalación! No nos hacemos responsables de los daños causados por una instalación incorrecta de los asadores OFYR®.

### PEDESTAL & CONO

Para empezar, coloque el pedestal sobre una superficie resistente al fuego. Para los modelos OFYR® Island y Concrete, por su peso, lo mejor es mover el pedestal con dos personas. A continuación, coloque el cono en el orificio del pedestal para que la plancha de asar quede horizontal. Si la plancha de asar no está completamente nivelada, puede utilizar las patas ajustables del pedestal para corregirla. Tenga en cuenta que el asador OFYR® puede volverse inestable si las patas de ajuste están demasiado apretadas. Por lo tanto, la diferencia de nivel no debe superar los 10 mm. Si la diferencia de altura es superior a 10 mm, recomendamos nivelar el soporte antes de instalar el asador OFYR®. Una vez instalado el asador OFYR®, no lo mueva de nuevo. Esto puede causar daños en las patas de ajuste y/o en las tuercas de seguridad con las que se sujetan las patas de ajuste. No aceptamos ninguna reclamación de garantía o responsabilidad por daños derivados del desplazamiento del asador OFYR®. Atención: El OFYR® Classic Black está recubierto y, por lo tanto, es más susceptible a daños durante la instalación. No nos hacemos responsables de los daños y perjuicios resultantes de la instalación del asador OFYR®. Los modelos OFYR® Island tienen una superficie de trabajo de madera en un lado. Está equipado con reposapiés de nylon que bloquean la conducción del calor a través de la parte superior de la base del modelo Island. El pedestal tiene una segunda parte superior y hay una abertura de unos pocos milímetros entre el pedestal y la parte superior. Esta abertura en la parte delantera derecha, trasera o lateral del pedestal se puede utilizar para fijar un porta especias.

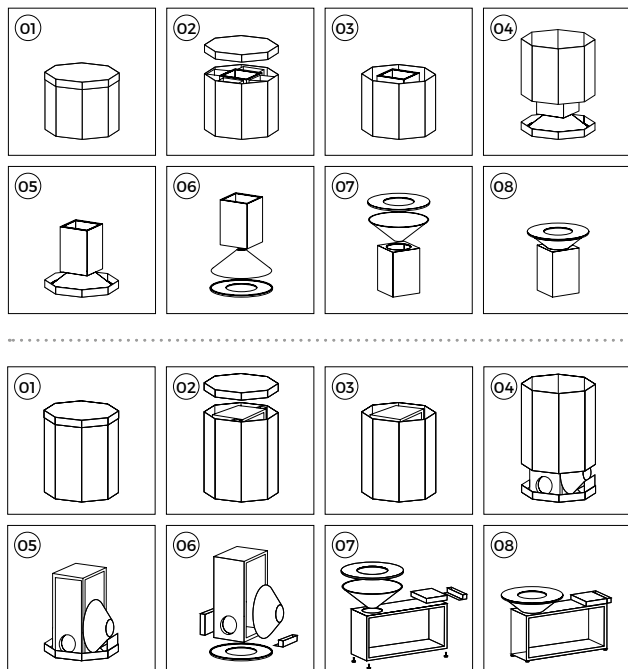


Fig. 3 - Procedimiento de desembalaje del asador OFYR

## LA PLANCHA DE ASAR

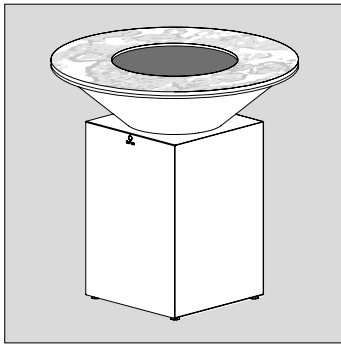
Para evitar que se dañe el borde de la plancha de asar, le recomendamos que no haga rodar la plancha de asar al moverla, ya que pueden producirse astillas y la parte superior no se puede raspar con una espátula. Por lo tanto, recomendamos levantar y mover la plancha de asar con 2 personas debido a su peso. Puede fijar la plancha de asar en el borde exterior grueso y al borde interior. Cuando coloque la plancha de asar sobre el cono, lo mejor es sujetarla con 2 personas en el borde interior de la parte superior y colocarla sobre el cono hasta que encaje en su sitio. Si la plancha de asar no parece encajar bien en el cono, gírela hasta que encaje correctamente.

*Precaución: se recomienda utilizar guantes al colocar la plancha de asar.  
También asegúrese de que su ropa no se ensucie.*

## USO

### 01. SIEMPRE FUERA

Todos los aparatos de asar OFYR® están diseñados para su uso al aire libre en cualquier condición climática. El pedestal y el cono de la plancha de asar OFYR® Classic, Classic Storage e Island están hechos de acero y pueden mostrar signos de oxidación cuando los reemplace. Es posible que el proceso de oxidación aún no haya comenzado completamente, lo que significa que el color de la unidad cambiará con el tiempo a medida que avance el proceso de oxidación. Esta capa de óxido natural protege contra la perforación. Tenga en cuenta que algunas aguas con óxido pueden filtrarse a lo largo del fondo y el cono durante los primeros meses. Esto puede dañar la superficie de la unidad. No nos hacemos responsables de los daños causados por estas aguas residuales oxidadas. Es importante



*Fig. 4 - Exceso de óxido en la plancha de asar*

que trate regularmente tanto la superficie como el borde con aceite. La plancha de asar es de acero y comenzará a oxidarse si no hay aceite "incrustado" en ella. Después de que el aceite se ha horneado correctamente, a lo mucho se puede presentar una pequeña cantidad de óxido. Si el asador no se utiliza durante largos periodos de tiempo, le recomendamos que lo trate con aceite cada 7 a 10 días para evitar la corrosión. Cualquier oxidación se puede eliminar con lana de acero. En caso de oxidación excesiva (véase fig. 4), recomendamos lijar la superficie con un cepillo de acero fijado a una taladradora. Es mejor calentar la plancha de asar antes ya que esto liberará el óxido. Después de lijar la plancha de asar (aprox. 10 minutos), limpie el polvo de lijado con un cepillo. Después de haber tratado el asador con aceite, los bordes estarán como nuevos. Hay un agujero en la placa inferior del cono para permitir que el agua de lluvia se escape.

Para evitar que el orificio se obstruya, le recomendamos que retire el eje del cono después de cada uso. También es posible

dejar caer el eje (caliente) a través del orificio de la placa inferior. Téngalo en cuenta al elegir la ubicación del asador OFYR®. Por ejemplo, podría colocar un cubo de acero con algo de agua en el pedestal. En los modelos Island y Storage, las cenizas se recogen en la placa superior. Para estos modelos, lo mejor es retirar el eje levantando el cono y la plancha de asar del fondo y dejar que el agua de lluvia corra si es necesario. El único propósito del agujero en la placa inferior es drenar el agua de lluvia, no tiene ninguna función para el suministro de aire. La base del pedestal es tratada con cera para una superficie brillante.



## 02 MADERA

Para un confort óptimo, recomendamos el uso de madera seca al horno. Esto evita la formación de humo durante su uso. La madera seca al horno también es mucho más fácil de encender. Apile los trozos de madera de dos en dos, como si estuviera construyendo una pila de troncos, con la corteza hacia afuera para evitar más humo. La madera de haya seca al horno es mejor porque se quema en un polvo de madera que calienta la plancha de asar de forma óptima. Este polvo de madera se puede mover fácilmente si desea utilizar el calor en otro lugar de la plancha de asar. Cuando se enciende el fuego y se colocan nuevos troncos en el fuego, por lo general dará algo de humo hasta que los nuevos troncos se quemen correctamente. Esta formación de humo se puede prevenir, en gran medida, utilizando la tubería de soplado Buffadoo que permite que el oxígeno sea soplado en el fuego y los nuevos troncos comiencen a arder casi inmediatamente. Las dimensiones ideales de los troncos son de unos 10 x 30 centímetros. Se aconseja no utilizar trozos de madera más grandes. Éstos tienden a encenderse rápidamente pero generalmente no se queman adecuadamente debido a la falta de oxígeno en el cono. La preferencia por piezas de madera más pequeñas es especialmente cierta para los modelos 85-100 y más que para los modelos 100-100. Para una noche de asar (4-5 horas) necesitarás dos sacos de madera de unos 50 litros cada uno, dependiendo de la temperatura exterior y las condiciones climáticas.

.....

## 03 EL PRIMER USO

Cuando use el asador por primera vez, es importante encender un pequeño fuego durante unos 30 minutos para preparar adecuadamente la plancha de asar. Durante la fabricación, el centro de la plancha de asar se presiona ligeramente hacia abajo. Cuando se calienta la plancha de asar, se presiona más. Si enciende por primera vez un

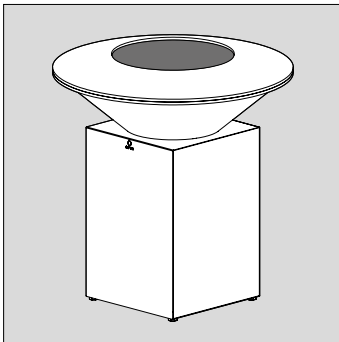


Fig. 5 - La plancha de asar redondeada

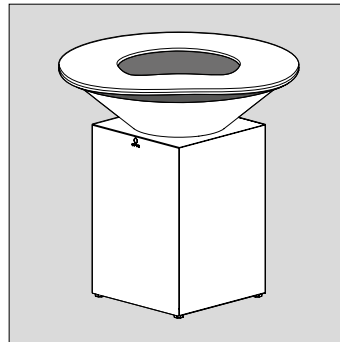


Fig. 6 - La plancha curvada con madera incorrecta

fuego demasiado grande en el asador OFYR®, es posible que la plancha de asar se empuje demasiado en el futuro. Es muy importante preparar la plancha de asar correctamente utilizando el procedimiento descrito anteriormente. En algunos casos, la plancha de asar puede sobresalir en el centro (ver fig. 5). Esto significa que la tensión en el acero no es buena. En este caso, póngase en contacto con el distribuidor. Si se enciende un fuego demasiado grande con leña que pueda alcanzar temperaturas muy altas, por ejemplo, con el tipo de madera dura utilizada en la construcción, la plancha de asar podría deformarse completamente (ver fig. 6). No aceptamos reclamaciones de garantía por daños y perjuicios derivados de un uso inadecuado. Todas las encimeras OFYR® son tratadas con aceite para protegerlas contra la oxidación durante la fabricación. Si usted ha preparado bien la plancha de asar con un pequeño fuego entonces puede encender un fuego más grande. Debido a que la plancha de asar OFYR® tienen un grosor de 12 mm, tarda bastante tiempo en calentarse adecuadamente.

Rocíe la plancha de asar bien caliente con aceite de oliva y frótela con una toalla de té. Haga esto de 2 a 3 veces. A continuación, limpie la plancha de asar con la espátula y deslice el rascador en el fuego. También contamos con una espátula PRO en nuestra gama que es adecuada para un uso profesional intensivo. El primer par de veces el asador emitirá una sustancia negra. Simplemente rocíe la plancha de asar con aceite de oliva unas cuantas veces más, frótela de nuevo y raspe cualquier cosa que se suelte. Si el rascador es de color beige, la plancha de asar está limpia y lista para usar. ¡Es necesario rociar la plancha de asar de nuevo con aceite de oliva, frótela, y usted puede empezar a asar! Recomendamos utilizar aceite de oliva las primeras 2 a 3 veces que utilice la plancha de asar OFYR®. El aceite de oliva tiene un punto de quemadura relativamente bajo, lo que le da a la plancha de asar un bonito tinte marrón-negro. Después de las primeras veces también puede utilizar aceites con una temperatura de combustión más alta, como el aceite de girasol. El aceite también protege del óxido. Tenga en cuenta que, si la plancha de asar no se utiliza durante un largo período de tiempo, el aceite se secará y la plancha de asar puede oxidarse en climas húmedos. Consulte el capítulo 1. Siempre al aire libre para evitar la formación de óxido.

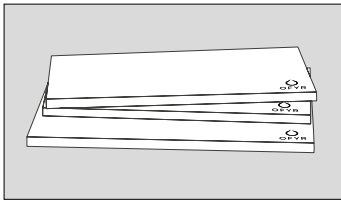


Fig. 7 - Tablas de cedro

#### 04 ASAR

Dependiendo del tiempo y de la temperatura exterior, la plancha de asar tarda entre 25 y 45 minutos en alcanzar una temperatura de 300 °C en el borde interior y 200 °C en el borde exterior. Para lograrlo, construya una hoguera de acuerdo con el “método de apilado de troncos” descrito anteriormente. Si la leña de este primer fuego se está quemando bien, deslice los bloques calientes bajo los bordes de la plancha de asar y añada nuevos troncos que se colocan con la corteza hacia arriba. Repita esto durante el tiempo que desee mantener la plancha de asar caliente. En otoño e invierno

se necesita mucha más madera para mantener la plancha de asar caliente que en primavera y verano. Si hay brisa, la plancha de asar se calienta más en el lugar donde el viento sale de la estufa OFYR®, es decir, en la dirección del viento. Esto se puede compensar deslizando madera más caliente y carbonizada en la dirección opuesta. Si el asador comienza a calentarse, raspe primero con la espátula y luego frótela con un paño aceitado. Si el asador está lo suficientemente caliente para asar, añada un poco de aceite en los lugares donde quiera poner la comida. Si el asador parece seco y mate, añada más aceite para que la plancha de asar esté siempre suficientemente engrasada. Usted debe agregar más aceite al preparar el pescado y las verduras que con la carne grasa. También puede usar tablas (cedro) (ver fig. 7) para permitir que los trozos de carne o pescado más gruesos se preparen lentamente después de cerrar el exterior de esta. Si quedan restos de comida en la plancha de asar, límpielos con una espátula y deslícelos en el fuego. Limpie la plancha de asar regularmente con un paño aceitado, después de lo cual se limpia por completo. Recomendamos que no deje que se forme una capa gruesa de horneado, ya que es difícil de quitar. Es mejor limpiar la plancha de asar regularmente. Una vez que se haya acostumbrado a usar el asador OFYR®, verá que este tratamiento se convierte en un hábito. Después de la preparación, vuelva a limpiar la plancha de asar según el procedimiento descrito anteriormente. Si todavía está tibia, frótela de nuevo con aceite. La plancha de asar se encuentra bien protegida y lista para la próxima vez. Encontrará más consejos y técnicas del asador en el canal YouTube de OFYR® y en nuestro sitio web [www.ofyr.com](http://www.ofyr.com). Si utiliza el asador OFYR® con frecuencia, producirá una capa lisa de residuos de carbono en la plancha de asar, lo que facilitará su uso. En un momento dado, esta capa de carbono puede desprenderse. Si nota esto, retire los residuos con la espátula y frótelos con aceite nuevo. La capa de residuos de carbono se renovará gradualmente.

## **05 CÓMO EXTINGUIR EL FUEGO**

La mejor manera de extinguir el fuego es dejar que se apague automáticamente. Tenga en cuenta que el eje y la plancha de asar pueden permanecer calientes mucho tiempo después de su uso. Otra forma de extinguir el fuego es cubrir el hueco de la plancha de asar con una de las tapas (diámetro Ø 50 y Ø 60 cm) que se pueden suministrar como accesorio. Por razones higiénicas, si tiene un OFYR® Island, le recomendamos que limpie también la superficie de trabajo de madera del aparato después de limpiar la plancha de asar. Estas superficies de trabajo no pueden permanecer al aire libre por la noche o bajo la lluvia. ¡Nunca apague el fuego con agua!

.....

## **06 MANTENIMIENTO**

El asador OFYR® tienen un mantenimiento relativamente bajo. Como se mencionó anteriormente, el óxido puede aparecer en la plancha de asar preparada si no utiliza el asador OFYR® durante un largo período de tiempo. Sin embargo, este óxido se puede eliminar fácilmente. Si no prepara la plancha de asar correctamente, el óxido puede ser considerable y necesitará un cepillo de acero para eliminar el óxido. Esto se explica en el capítulo 01. Siempre al aire libre.

.....

## **07 ISLAND**

La superficie de trabajo de madera debe limpiarse a mano y no con productos corrosivos ni en el lavavajillas. Después de la limpieza, se recomienda guardarlos en un lugar seco y con poca humedad. Las grandes diferencias de temperatura pueden causar deformaciones de la madera. Recomendamos encarecidamente no dejar esta plataforma de madera fuera. Sin embargo, tenga en cuenta que la madera es un producto natural que siempre se puede deformar un poco. No nos hacemos responsables de ninguna deformación de la madera.

# CLÁUSULAS DE SALVAGUARDIA

## 01 OXIDO

Todos los elementos de acero de la colección OFYR® están fabricados en acero Corten, a excepción de la superficie de trabajo, las patas regulables, las bisagras, los tornillos y los imanes situados debajo de los estantes de madera. El acero Corten es un tipo de acero que se oxida rápidamente y, por lo tanto, está protegido contra la corrosión. Si la naturaleza puede seguir su camino, tarda entre 6 y 12 meses dependiendo de la ubicación y el nivel de humedad, antes de que los elementos del acero Corten se corroan. A diferencia de muchos fabricantes de productos de acero Corten, nosotros ofrecemos a los compradores de los productos el servicio adicional para este proceso de oxidación que se inicia en cuanto entregamos nuestros productos. Dependiendo de la ubicación y la humedad, este óxido superficial tarda de 3 a 6 meses en convertirse en una capa completa de óxido. Sin embargo, esto no garantiza una capa de óxido completamente uniforme en la entrega. Por lo tanto, los elementos de acero Corten que estén menos corroídos que otros en el momento de la entrega, no serán elegibles para su sustitución. Después de todo, bajo la influencia del clima, se oxidarán naturalmente con el tiempo. Incluso si el óxido es superficial, los elementos de acero Corten pueden causar manchas anaranjadas en la ropa, la piel y la superficie sobre la que se encuentren. Cuando llueve, el agua oxidada puede filtrarse desde estos elementos, causando manchas permanentes en piedras claras y superficies de madera. Bajo circunstancias normales, el acero Corten irá creando gradualmente una capa uniforme de óxido de color marrón oscuro que no se desprende. En las proximidades del mar, tal vez se puedan producir descamaciones debido al alto contenido de sal del aire. Esto no causa daños, pero este óxido debe eliminarse para evitar que se oxide la superficie de la plancha de asar OFYR®. No asumimos ninguna responsabilidad por los daños causados por la oxidación de nuestros productos.

---

## 02 TABLAS

Algunos productos OFYR® vienen con estantes de madera que se pueden utilizar como unidad de asiento o encimera (ver Fig. 8). No deje estas tablas a la intemperie durante mucho tiempo. Debido a condiciones climáticas húmedas, las tablas pueden deformarse o romperse. Por lo tanto, recomendamos guardarlas en un lugar seco después de

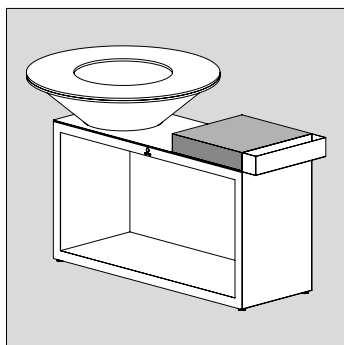


Fig. 8 - Tablas

su uso. También es mejor no dejarlas fuera por la noche porque el ambiente suele ser húmedo. Las superficies de trabajo pueden utilizarse como tablas de corte, pero no como bloques de corte. Si se ejerce una presión excesiva sobre estas superficies con objetos puntiagudos o pesados, pueden dañarse de forma irreparable. El área de trabajo del bloque carnicero 45-45-88 y de la isla OFYR® 85-100 es del mismo tamaño. Las superficies de trabajo que vienen con los bloques de carnicero tienen patas magnéticas. Las patas del OFYR® Island 85-100 son de nylon. Las superficies de trabajo de los bloques de carnicero no son aptas para el uso en la isla OFYR® 85-100 porque las patas magnéticas conducen el calor, lo que puede deformar la madera. No nos hacemos responsables de los daños ocasionados por un uso inadecuado de las tablas. No coloque los productos OFYR® con elementos de madera directamente junto a una fuente de calor, ni siquiera junto a uno de nuestros aparatos de cocción. El calor puede dañar la madera y deformarla.

---

### **03 PATAS AJUSTABLES BAJO ELECTRODOMÉSTICOS DE COCINA, BLOQUES DE CARNICERO, HOCKER Y DRESSOIR DE OFYR®.**

Si se instala un asador, un bloque de carnicero, un Hocker, un sofá o un Dressoir de OFYR®, las patas ajustables se pueden utilizar para nivelarlas. No use estas patas ajustables para ajustar la altura de la plancha de asar u otras unidades. Las planchas de asar, bloques de carnicero, taburetes, bancos y aparadores de OFYR® pueden volverse inestables si las patas de ajuste se extienden más de 10 mm. No asumimos ninguna responsabilidad por los daños que resulten del uso incorrecto de las patas. Si se instala una plancha de asar, bloque de carnicero, cocedor o dressoir, no se deben mover. El desplazamiento puede causar daños en las patas de ajuste o en las tuercas de seguridad con las que se sujetan las patas de ajuste. No aceptamos ninguna reclamación de garantía o responsabilidad por daños derivados del desplazamiento y/o traslado de una cocina OFYR®, bloque de carnicero, Hocker, banco o Dressoir.

### **04. NO UTILIZAR EN ESPACIOS CERRADOS**

Los asadores OFYR® no son adecuados para su uso en áreas parcialmente o totalmente cerradas. Tal uso puede resultar en una acumulación de humos peligrosos que pueden llevar a la intoxicación por monóxido de carbono.

### **05 NO UTILICE ALCOHOL PURO, GASOLINA U OTRAS SUSTANCIAS QUÍMICAS.**

El uso de alcohol puro, gasolina u otras sustancias químicas como ayuda en la ignición del fuego es muy peligroso y puede estropear el alimento en la plancha de asar. No nos hacemos responsables de los problemas de salud causados por el uso de productos químicos al encender el fuego de la plancha de asar OFYR®. Asegúrese de que no haya sustancias altamente inflamables en el espacio alrededor del asador OFYR®.

### **06 NO DEJE EL ASADOR OFYR® DESATENDIDO.**

Nunca deje el asador OFYR® desatendido, ni siquiera debe haber niños y mascotas cerca del asador OFYR®.

### **07. CONDICIONES DE GARANTÍA POR ARTÍCULO**

Para los primeros compradores o propietarios, existe una garantía limitada de por vida aplicable al material y a la instalación de todos los elementos de acero de todos los asadores OFYR®, siempre que hayan comprado la unidad a un distribuidor autorizado y hayan registrado la garantía de la manera prescrita. Para registrar su OFYR debidamente acceda a [www.ofyr.club](http://www.ofyr.club).

	<b>B2C</b>	<b>B2B</b>
PLANCHA DE ASAR	5 AÑOS	3 AÑOS
PRODUCTOS DE ACERO CORTEN (EXCLUIDO EL CONO)	5 AÑOS	3 AÑOS
CONO	3 AÑOS	1 AÑO
PRODUCTOS RECUBIERTOS	2 AÑOS	1 AÑO
PRODUCTOS DE HORMIGÓN	2 AÑOS	1 AÑO
TABLAS	2 AÑOS	1 AÑO
PIEZAS SINTÉTICAS	2 AÑOS	1 AÑO
PIEZAS DE METAL	2 AÑOS	1 AÑO

Fig. 9 - Términos de garantía

## **¡ADVERTENCIA!**

- **¡El asador OFYR® se calienta mucho!**
- **¡No utilice el asador OFYR® en interiores!**
- **¡Mantenga alejados a los niños y las mascotas!**
- **¡No utilice alcohol o gasolina al encenderlo!**
- **¡Utilice únicamente encendedores que cumplan con la norma EN 1860-3!**

---

## **Preguntas más frecuentes**

### **1. Transporte/embalaje de asadores**

#### **¿CÓMO SE ENTREGA EL ASADOR OFYR®?**

El asador OFYR® se suministra en un embalaje octogonal llamado Octabin. Los modelos OFYR® Classic se envían bocabajo y los modelos Island se envían verticalmente. El OFYR® Concrete está embalado verticalmente debido al pesado pedestal.

#### **¿QUÉ SE SUMINISTRA CON EL ASADOR OFYR®?**

El asador OFYR® se suministra en un Octabin y consta de un pedestal, un cono y una plancha de asar. Si ha comprado una OFYR® Island, el paquete también incluye una tabla de corte de madera y un porta especias. Cada asador también se suministra con una espátula gratuita.

### **2. Información general del asador**

#### **¿DE QUÉ ESTÁN HECHOS LOS ASADORES OFYR®?**

Las planchas de asar OFYR® son de acero. El pedestal y el cono de los modelos Classic están fabricados en acero Corten. El pedestal y el cono de los modelos Black son de acero revestido. El pedestal OFYR® Classic Concrete está hecho de hormigón resistente al calor.

#### **¿ES PORTÁTIL UN ASADOR OFYR®?**

Los modelos OFYR® Classic se presentan en tres partes separadas, lo que facilita su desplazamiento. Recomendamos mover el asador con dos personas. Los modelos OFYR® Island se suministran en cinco partes separadas. La parte inferior de la Unidad de la Isla se puede mover mejor entre dos personas.

#### **¿PUEDO DEJAR EL ASADOR OFYR® AL AIRE LIBRE?**

El asador OFYR® puede permanecer al aire libre bajo cualquier condición climática. El pedestal y el cono se oxidan más y eventualmente se vuelven marrón oscuro. La plancha de asar también puede oxidarse con el tiempo si no se engrasa correctamente. Recomendamos engrasar el asador OFYR® cada 7 a 10 días si no se utiliza. Los modelos Black también pueden permanecer en el exterior. Mientras el fondo y el cono de los modelos Black no se rayen, no se oxidan. El hormigón OFYR® Classic Concrete también puede permanecer en el exterior. Sólo el pedestal necesita ser tratado con cera de vez en cuando para mantenerlo brillante.

### **¿CÓMO SE LIMPIA EL ASADOR OFYR®?**

Como se mencionó anteriormente, recomendamos que el asador OFYR® se engrase cada 7 a 10 días. Después de usar la plancha de asar OFYR®, retire lo restante para evitar obstruir el orificio en el cono. Tenga en cuenta que la ceniza puede permanecer caliente durante mucho tiempo. Por lo tanto, asegúrese de que las cenizas restantes se recogen en recipientes no combustibles, por ejemplo, cubos de zinc. Una vez que la ceniza se haya enfriado, puede ser extraída con una pala común y se puede tirar a un contenedor de basura común

### **¿LAS PIEZAS DE MADERA DE LOS PRODUCTOS OFYR® PUEDEN PERMANECER EN EL EXTERIOR?**

Las piezas de madera de los productos OFYR® se fabrican con madera adherida. Si se expone a la humedad, la madera puede deformarse. El exterior de las superficies de madera también puede agrietarse. Por lo tanto, es aconsejable mantener las piezas de madera en un lugar seco después de su uso.

---

## **3. Instalación del asador**

### **¿EL ASADOR OFYR® MUESTRA SIGNOS DE OXIDACIÓN EN LA ENTREGA?**

Sí, el proceso de oxidación de la plancha de asar de acero Corten OFYR® ya ha comenzado antes de la entrega. Debido a que el asador ha estado fuera, el proceso de oxidación continuará constantemente.

### **¿POR QUÉ ESTÁ PEGAJOSO EL ASADOR?**

El asador se lubricó antes del transporte como protección contra la corrosión.

### **¿NECESITO COLOCAR UN RECIPIENTE DEBAJO DEL ASADOR OFYR® PARA PROTEGER LA SUPERFICIE EN LA QUE SE ENCUENTRA EL ASADOR CONTRA DAÑOS CAUSADOS POR EL FUEGO?**

La abertura en el cono del asador OFYR® permite que el agua y las cenizas caigan o se filtren. Esto puede causar que la superficie de color claro quede decolorada permanentemente. Para proteger el suelo, puede colocar un cubo de agua en el pedestal del asador OFYR® o colocar una placa de acero en el fondo del pedestal. Durante el uso normal, es poco probable que el pedestal se caliente hasta tal punto que dañe el suelo. Sin embargo, a pesar de las precauciones mencionadas anteriormente, el agua oxidada puede filtrarse por la base del asador OFYR® y causar manchas en una superficie ligeramente tintada.

### **¿CÓMO SE PREPARA EL ASADOR OFYR® POR PRIMERA VEZ?**

Utilice el método descrito en el Capítulo 3 Uso inicial. Una vez preparado el asador OFYR®, estará listo para usarse por primera vez. La comida se pegará más a la plancha de asar la primera vez que la segunda o tercera vez. Al igual que con una sartén de acero tradicional, con el tiempo se crea un revestimiento antiadherente natural que facilita el asado.

### **¿PUEDEN MOVERSE LOS PRODUCTOS OFYR® MIENTRAS LAS PATAS AJUSTABLES ESTÁN DESATORNILLADAS?**

No, no se puede. Debido al peso de los productos OFYR®, las patas ajustables pueden doblarse o romperse al moverse. Las tuercas utilizadas para fijar las patas de ajuste también pueden dañarse.

### **¿PUEDEN UTILIZARSE LAS PATAS AJUSTABLES DE LOS PRODUCTOS OFYR® PARA LA REGULACIÓN DE ALTURA?**

No, las patas ajustables sólo sirven para nivelar los asadores OFYR® en superficies irregulares. Las patas ajustables no deben extenderse más allá de 10 mm, ya que de lo contrario los productos OFYR® se volverán inestables y las patas se podrían doblar o romper.

## 4. USO

### **¿CÓMO SE ENCIENDE EL ASADOR OFYR®?**

Al utilizar el asador OFYR® por primera vez y se apile, es importante que primero deje que se queme a fuego lento durante unos 25 minutos para que el asador se ajuste y se hunda correctamente.

### **¿CUÁNTO TIEMPO TARDA EL ASADOR OFYR® EN ESTAR LISTO PARA USARSE?**

Cuando el asador OFYR® está encendido, tarda entre 25 y 45 minutos en alcanzar una temperatura de unos 300 °C en el borde interior y unos 200 °C en el borde exterior, dependiendo de las condiciones climáticas y de la temperatura exterior.

### **¿QUÉ TIPO DE ACEITE DEBO UTILIZAR?**

La primera vez que utilice el asador OFYR®, le recomendamos utilizar aceite de oliva. El aceite de oliva tiene un punto de combustión más bajo que otros aceites, resultando en una superficie del asador con un hermoso tono marrón-negro oscuro. Más tarde también puede utilizar aceites naturales con una temperatura de combustión más alta, como el aceite de girasol.

### **¿PARA CUÁNTAS PERSONAS PUEDO PREPARAR COMIDA EN EL ASADOR OFYR®?**

Con un asador OFYR® 100 puede preparar alimentos para hasta 50 personas, dependiendo del tipo de comida que prepare. Con las unidades OFYR® 85 puede cocinar para 20 a 30 personas.

### **¿QUÉ TIPO DE MADERA PUEDO UTILIZAR EN EL ASADOR OFYR®?**

La primera vez que utilice el asador OFYR®, le recomendamos utilizar aceite de oliva. El aceite de oliva tiene un punto de combustión más bajo que otros aceites, resultando en una superficie del asador con un hermoso tono marrón-negro oscuro. Más tarde también puede utilizar aceites naturales con una temperatura de combustión más alta, como el aceite de girasol.

### **¿CUÁNTA LEÑA NECESITO PARA EL ASADOR OFYR®?**

Un asador OFYR® consume de media dos bolsas de madera llenas de 50 litros cada una, dependiendo de las condiciones climáticas y del tipo de madera.

### **¿PUEDO USAR CARBÓN VEGETAL EN LUGAR DE MADERA?**

Sí, puede utilizar carbón vegetal como combustible para el asador OFYR®. El carbón vegetal no puede calentarse tanto como la madera.

### **HAY ESCAMAS EN EL ASADOR, ¿ESO SIGNIFICA QUE EL ACERO ESTÁ DAÑADO?**

Si usted cocina regularmente con el asador OFYR®, se forma una capa de carbón en él. Si el asador OFYR® no se utiliza durante un tiempo, este recubrimiento puede desprenderse en algunos lugares, provocando la formación de escamas. Estas escamas se pueden quitar fácilmente del asador con una espátula. Si esto sucede, simplemente frote la mancha otra vez con aceite. Se forma una nueva capa lisa de residuos de carbono.

### **EL ASADOR ES REDONDEADO DESPUÉS DEL PRIMER USO, AHORA LA GRASA SALE POR EL BORDE EXTERIOR. ¿QUÉ DEBO HACER?**

Durante la producción, un asador OFYR® se presiona un poco en el centro para que la grasa pase al centro. Durante el calentamiento, la mitad del centro cae un poco más hacia abajo. A veces, sin embargo, la plancha de asar convexa. En este caso, póngase en contacto con el distribuidor.



## 5. OFYR®- accesorios

### ¿HAY TAPAS PROTECTORAS PARA UN ASADOR OFYR®?

Sí, hay dos tipos de tapas disponibles para cada modelo. Las tapas de Ø 50 cm y Ø 60 cm están diseñadas para extinguir el fuego. Las tapas de Ø 85 cm y Ø 100 cm se utilizan para proteger el asador de los modelos OFYR® 85 y 100 cuando no se utilizan durante un período de tiempo prolongado. Las tapas de protección de Ø 85 cm y Ø 100 cm no protegen contra la oxidación, ya que se puede acumular humedad entre la plancha de asar y la tapa protectora. En caso de viento fuerte, las tapas protectoras pueden caerse. Debe ponerles un peso o no usarlas.

.....





For further information, please contact  
one of our official distributors as listed  
in our online Store Locator:  
[www.ofyr.com/store-locator](http://www.ofyr.com/store-locator)

**Copyright OFYR.**

All rights reserved.

**Creative Outdoor Products B.V.**

Gewenten 43A  
4704 RE Roosendaal  
The Netherlands

+31 (0)165 74 31 10  
[info@ofyr.com](mailto:info@ofyr.com)  
[www.ofyr.com](http://www.ofyr.com)

The design of some OFYR products have EU registration  
under no 002580431-0001/2 and no 003122373-0001.  
A US Design patent is registered under no US D798,099 S.

