

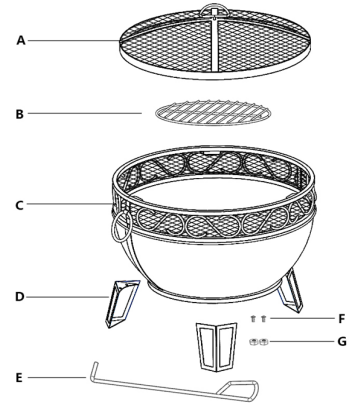
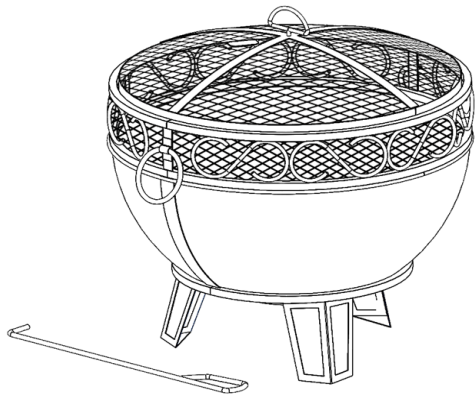


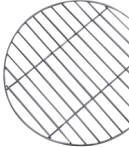
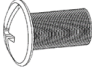
FIREBOWL WITH LID

BOBLE



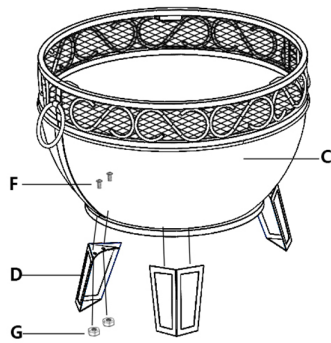
MANUAL



Part	Quantity	Description	Photo	Part	Quantity	Description	Photo
A	1	Lid		B	1	Charcoal rack	
C	1	Fire bowl		D	3	Leg	
E	1	Poker		F	6	Screw	
G	6	Nut					

Step 1

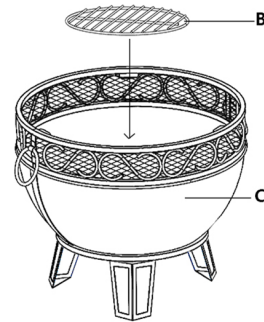
STEP.1



Connect fire bowl (C) and the legs (D) with screws (F) and nuts (G)

Step 2

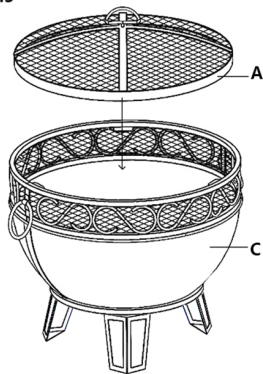
STEP.2



Put the charcoal grill (B) into the fire bowl (C)

Step 3

STEP.3



Put the lid (A) on the fire bowl (C)
